

Basic terminal block - UDK-RELG 7 - 2777069

Please be informed that the data shown in this PDF Document is generated from our Online Catalog. Please find the complete data in the user's documentation. Our General Terms of Use for Downloads are valid (<http://phoenixcontact.com/download>)




Basic termination blocks with test connection on both sides and double connections with the same potential for NS 32 and NS 35/7.5 DIN rail, with end cover, for ST-REL..., ST-OV... and ST-OE... plugs, 7-pos.

The illustration shows versions with a different no. of positions



Key commercial data

Packing unit	1 pc
Minimum order quantity	5 pc
GTIN	 4 017918 068653
Weight per Piece (excluding packing)	111.27 GRM
Custom tariff number	85369010
Country of origin	Turkey

Technical data

Dimensions

Width	45.6 mm
Height	63.6 mm
Depth	113 mm

General

Number of positions	7
Nominal voltage U_N	400 V (voltage is determined by the coupling connector.)
Nominal current I_N	16 A (current is determined by the coupling connector.)
Color	gray
Insulating material	PA

Connection data

Basic terminal block - UDK-RELG 7 - 2777069

Technical data

Connection data

Conductor cross section solid min.	0.2 mm ²
Conductor cross section solid max.	4 mm ²
Conductor cross section stranded min.	0.2 mm ²
Conductor cross section stranded max.	4 mm ²
Conductor cross section AWG/kcmil min.	24
Conductor cross section AWG/kcmil max	12
Connection method	Screw connection
Stripping length	7 mm
Screw thread	M3

Classifications

eCl@ss

eCl@ss 4.0	27141127
eCl@ss 4.1	27141127
eCl@ss 5.0	27371603
eCl@ss 5.1	27371603
eCl@ss 6.0	27371603
eCl@ss 7.0	27371603
eCl@ss 8.0	27371603

ETIM

ETIM 2.0	EC001456
ETIM 3.0	EC001456
ETIM 4.0	EC001456
ETIM 5.0	EC001456

UNSPSC

UNSPSC 6.01	30211811
UNSPSC 7.0901	39121410
UNSPSC 11	39121410
UNSPSC 12.01	39121410
UNSPSC 13.2	39121410

Approvals

Approvals

Basic terminal block - UDK-RELG 7 - 2777069

Approvals

Approvals

UL Recognized / cUL Recognized / GOST / GOST / cULus Recognized

Ex Approvals

Approvals submitted

Approval details

UL Recognized	
mm ² /AWG/kcmil	30-12
Nominal current I _N	15 A
Nominal voltage U _N	300 V

cUL Recognized	
mm ² /AWG/kcmil	30-12
Nominal current I _N	15 A
Nominal voltage U _N	300 V

GOST	
------	--

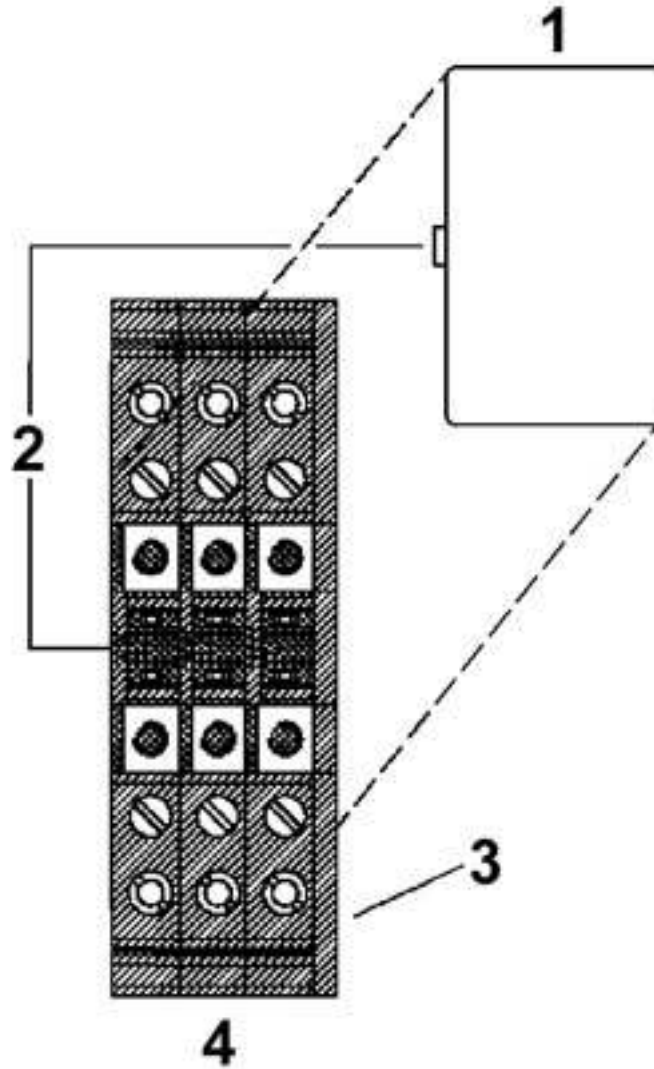
GOST	
------	--

cULus Recognized	
------------------	--

Basic terminal block - UDK-RELG 7 - 2777069

Drawings

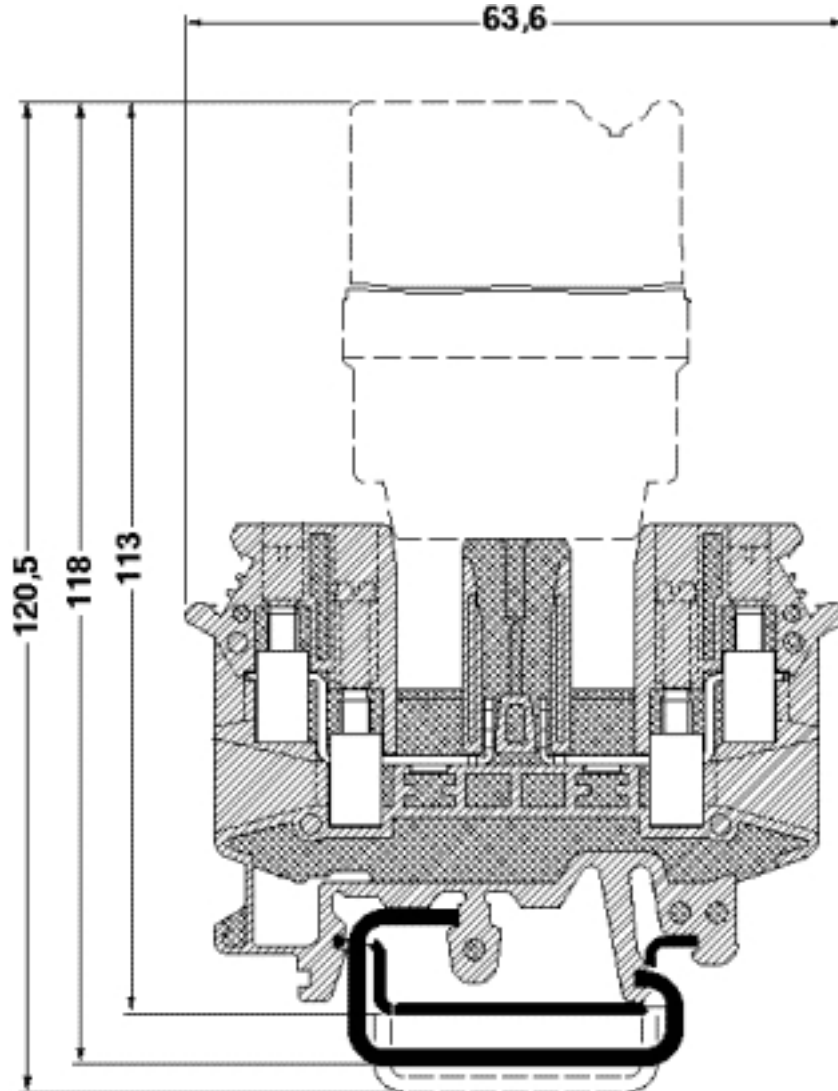
Schematic diagram



- 1 = Coupling connector
- 2 = Coding
- 3 = Cover
- 4 = Basic termination block

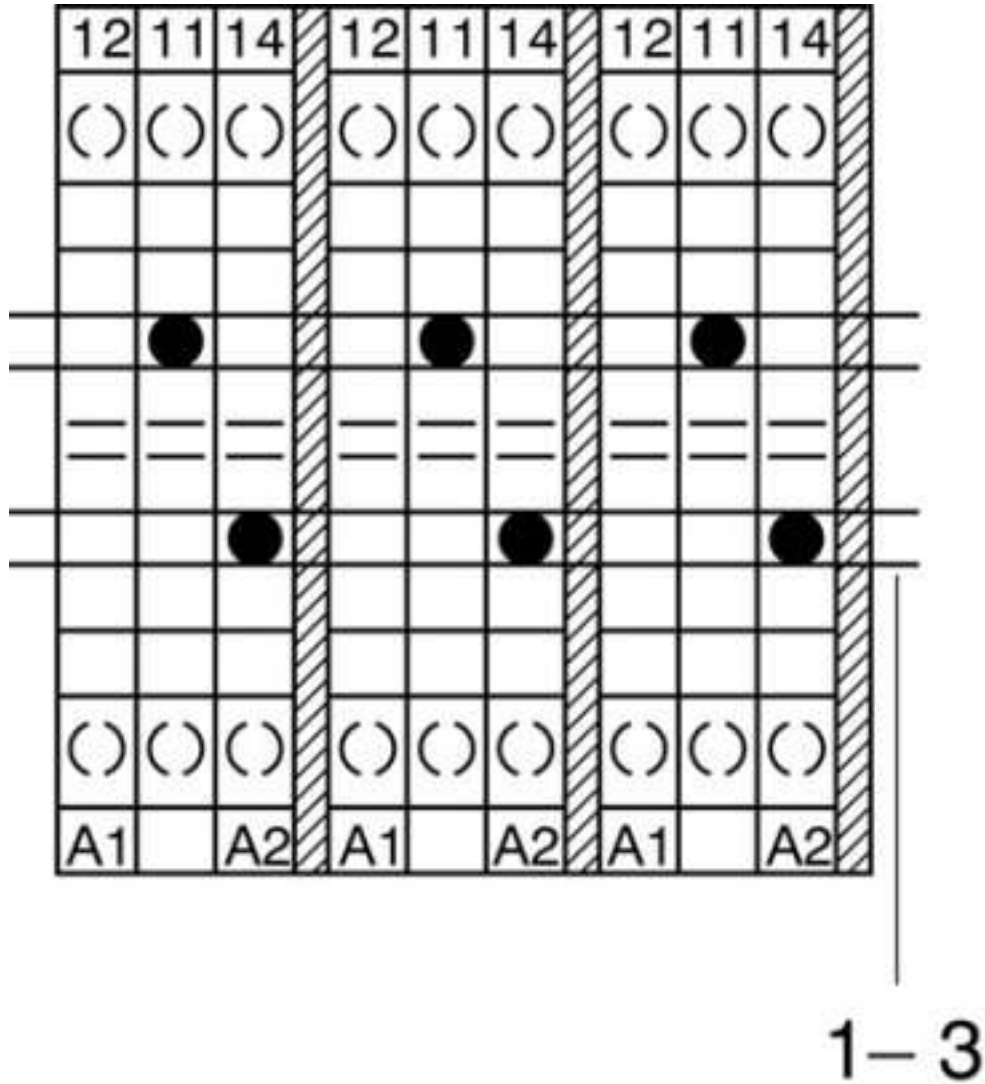
Basic terminal block - UDK-RELG 7 - 2777069

Dimensioned drawing



Basic terminal block - UDK-RELG 7 - 2777069

Schematic diagram



1-3 = fixed bridge, cross connection rail, spacer