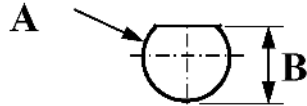
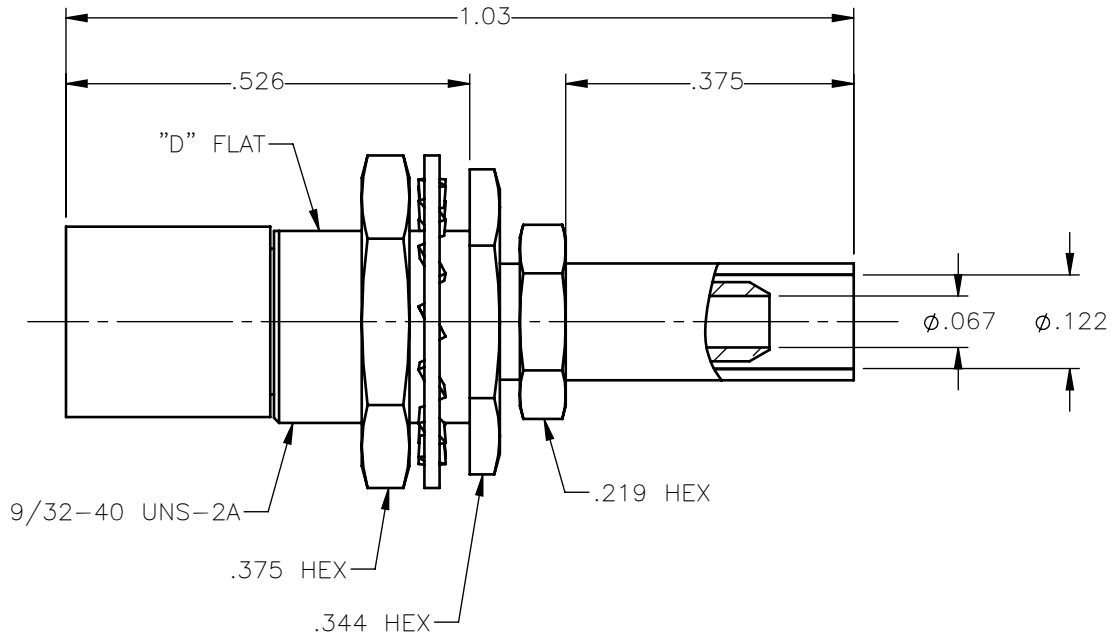


### PANEL CUT OUT



inches		
	Maxi	mini
<b>A</b>	<b>.290</b>	<b>.284</b>
<b>B</b>	<b>.262</b>	<b>.256</b>

REVISIONS			
REV.	DESCRIPTION	DATE	APPROVED
A	INITIAL RELEASE	03/08/18	C.E.



NOTES:

MATERIALS:

- INSULATORS = VIRGIN WHITE TEFLON PER ASTM D1710, GRADE 1, TYPE I, CLASS "B".
- CONTACT & SPRING = BERYLLIUM COPPER PER ASTM B196, ALLOY C17300, TEMPER TD04.
- LOCKWASHER = PHOSPHOR BRONZE PER ASTM B139, COPPER ALLOY C53400, TEMPER H04.
- CRIMP SLEEVE = SEAMLESS LOWLEAD BRASS TUBE, ALLOY 330, SOFT ANNEAL TEMPER, .025/.060 GRAIN SIZE OR SEAMLESS COPPER TUBE PER ASTM B75, TYPE C12000, TEMPER: LIGHT ANNEAL O50 EXCEPT YIELD STRENGTH.
- ALL OTHER METAL PARTS = BRASS PER ASTM B16, ALLOY C36000, TEMPER H02.

FINISHES:

- CONTACT = GOLD PLATE PER ASTM B488-11, TYPE II, 50 $\mu$ in MIN, GRADE C, OVER 100 TO 200 $\mu$ in STRESS FREE SULFAMATE NICKEL PER AMS-QQ-N-290.
- SPRING = NICKEL PLATE PER AMS-QQ-N-290, CLASS 1, GRADE G, EXCEPT 100 TO 200 $\mu$ in THICK OVER 50 TO 100 $\mu$ in THICK COPPER PER AMS 2418.
- ALL OTHER METAL PARTS = GOLD PLATE PER ASTM B488-11, TYPE II, 30 $\mu$ in MIN, GRADE C OVER 100 TO 200 $\mu$ in COPPER STRIKE PER AMS 2418.

UNLESS OTHERWISE SPECIFIED DIMENSIONS ARE IN INCHES TOLERANCES ON

DWN:	DATE
C.E.	03/08/18
CHKD:	DATE
D.N.	03/08/18
APVD:	DATE
J.M.	03/08/18



Property of Radiall  
This document cannot be reproduced or communicated to a third party without prior written permission of RADIALL.



## SLB STRAIGHT FEMALE PLUG BULKHEAD MOUNT CRIMP TYPE FOR RG-316 & SIMILAR CABLES

REFERENCE:	MATERIALS & FINISHES:
ORIGINATED: C.E. DATE: 03/08/18	SEE NOTES

SIZE A	FSCM NO. 19505	DWG NO. 3028-1571-003	REV A
SCALE 4:1		THIRD ANGLE PROJECTION	SHEET 1 OF 1

3028-1571-003