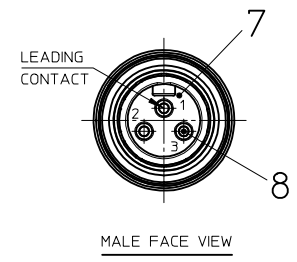
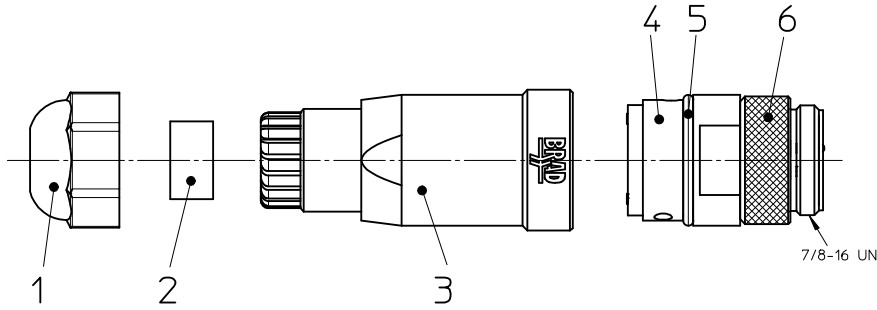
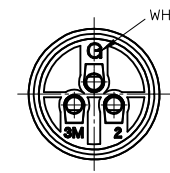
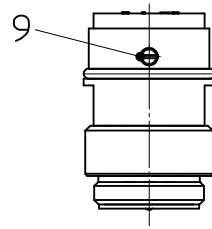
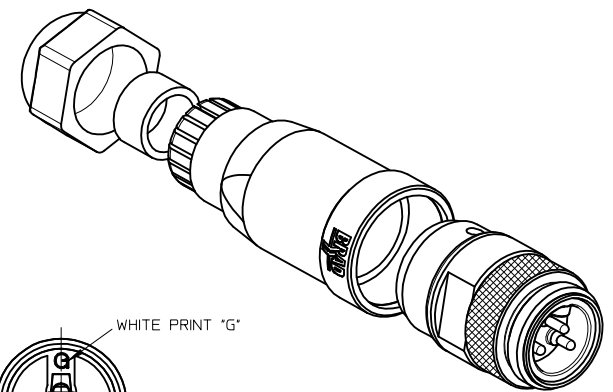
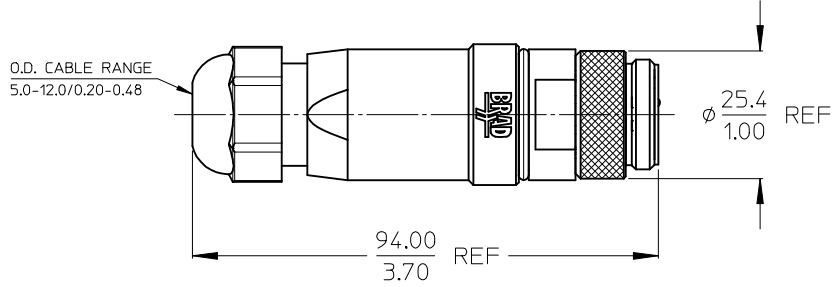
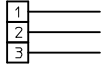


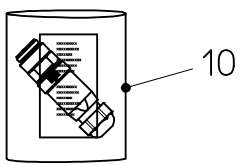
10 9 8 7 6 5 4 3 2 1

WIRING CHART



NOTES:

- ELECTRICAL SPECIFICATIONS:
VOLTAGE RATING: 600VAC
AMPERAGE RATING: 15 AMPS
PROTECTION: IP67
OPERATING TEMPERATURE: -20°C to 80°C
- UL CERTIFICATIONS: UL LISTED AND CULUS LISTED.
FILE NUMBER E258922
- POLYBAG: PRINTING SEE NO.: 1300170056 1A3006-34PWR



ENG. NO.: 1A3006-34PWR

ITEM	QTY	COMPONENT	MATERIAL	FINISH
1	1	HUT NUT PG13.5	PA	BK
2	1	GASKET MO	NITRILE	BK
3	1	HOUSING FA	PA	BK
4	1	INSERT MA REAR	PA	BK
5	1	GASKET OR	NBR	BK
6	1	COUPLING NUT	BRASS	NI PLATED
7	1	INSERT MA FRONT	SANTOPRENE	BK
8	3	CONTACT MA	COPPER ALLOY	AU PLATED
9	3	SCREW M3x5	BRASS	ZN
10	1	POLYBAG 200x200x0.050	PE	-

ENTER DESCRIPTION EC NO: IPG2013-2008 DRW:RSCHIEBER 2013/07/16 CHKD:APOHL 2013/07/16 APPR:CBURGER 2013/07/16	QUALITY SYMBOLS	GENERAL TOLERANCES (UNLESS SPECIFIED)	DIMENSION STYLE	SCALE	DESIGN UNITS	THIRD ANGLE PROJECTION																	
		<table border="1"> <tr> <th></th> <th>mm</th> <th>INCH</th> </tr> <tr> <td>4 PLACES</td> <td>± ---</td> <td>± ---</td> </tr> <tr> <td>3 PLACES</td> <td>± ---</td> <td>± .005</td> </tr> <tr> <td>2 PLACES</td> <td>± 0.13</td> <td>± .010</td> </tr> <tr> <td>1 PLACE</td> <td>± 0.25</td> <td>± .020</td> </tr> <tr> <td>0 PLACE</td> <td>± ---</td> <td>± ---</td> </tr> </table>		mm	INCH	4 PLACES	± ---	± ---	3 PLACES	± ---	± .005	2 PLACES	± 0.13	± .010	1 PLACE	± 0.25	± .020	0 PLACE	± ---	± ---	MM/IN	1:1	METRIC
	mm	INCH																					
4 PLACES	± ---	± ---																					
3 PLACES	± ---	± .005																					
2 PLACES	± 0.13	± .010																					
1 PLACE	± 0.25	± .020																					
0 PLACE	± ---	± ---																					

DRAFT WHERE APPLICABLE
MUST REMAIN
WITHIN DIMENSIONS

DRAWN BY	DATE	TITLE
RSCHIEBER	2013/04/30	FA MC 3P AC MA STR PG13.5 UNSH BK PA AU
CHECKED BY	DATE	
APOHL	2013/05/08	
APPROVED BY	DATE	
CBURGER	2013/05/27	
MATERIAL NO.	DOCUMENT NO.	
1300170056	SD-130017-014	

molex

THIS DRAWING CONTAINS INFORMATION THAT IS PROPRIETARY TO MOLEX
INCORPORATED AND SHOULD NOT BE USED WITHOUT WRITTEN PERMISSION

SIZE: A3

SHEET NO. 1 OF 1

9 8 7 6 5 4 3 2 1