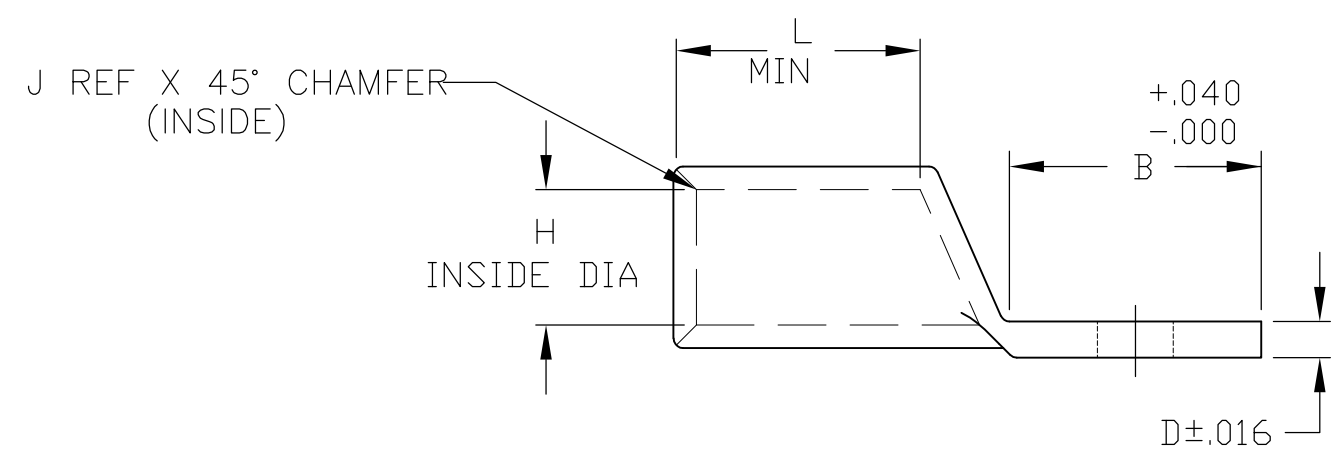
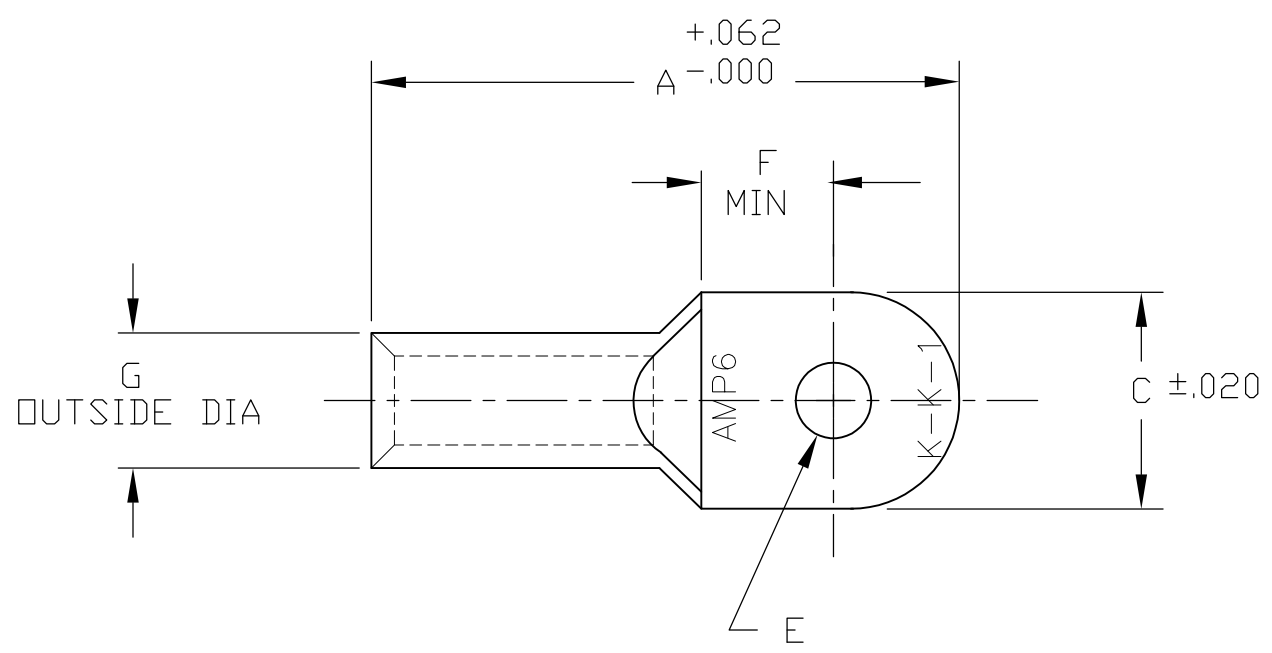


THIS DRAWING IS UNPUBLISHED. RELEASED FOR PUBLICATION
 © COPYRIGHT BY TYCO ELECTRONICS CORPORATION. ALL RIGHTS RESERVED.

LOC	DIST	REVISIONS					
G	86	P	LTR	DESCRIPTION	DATE	DWN	APVD
		B1		REV PER ECR 08-015124	13JUN08	JR	CK

1 HIGH CONDUCTIVITY WROUGHT COPPER ANNEALED



OBSOLETE	.750	.031	.232	.352	.420	∅.197	.094	.563	.813	1.813	606288-5
	.750	.031	.232	.352	.420	∅.390	.094	.563	.813	1.813	606288-3
	.750	.031	.232	.352	.420	∅.328	.094	.563	.813	1.813	606288-2
	.750	.031	.232	.352	.420	∅.265	.094	.563	.813	1.813	606288-1
	L	J	H	G	F	E	D	C	B	A	PART NUMBER

DIMENSIONS, INCHES

THIS DRAWING IS A CONTROLLED DOCUMENT.		DWN	jr_ruth	01JUN05	OBSOLETE	Tyco Electronics Corporation Harrisburg, Pa 17105-3608		
DIMENSIONS: INCHES		CHK	MJ SPICER	01JUN05		NOT the LATEST REVISION	AMP TUBULAR TERMINAL 6 AWG	
TOLERANCES UNLESS OTHERWISE SPECIFIED:		APVD	MJ SPICER	01JUN05			NAME	SIZE
0 PLC ± - 1 PLC ± - 2 PLC ± .02 3 PLC ± .005 4 PLC ± .0005 ANGLES ± 5°		PRODUCT SPEC	-			DRAWING NO	C-606288	RESTRICTED TO
MATERIAL		FINISH		WEIGHT	A300779		SCALE	
-		TIN PLATED		CUSTOMER DRAWING		1:1		
						SHEET 1 OF 1		
						REV B1		