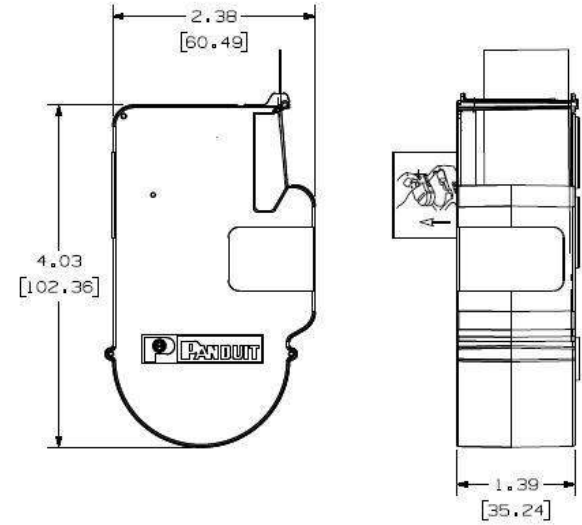
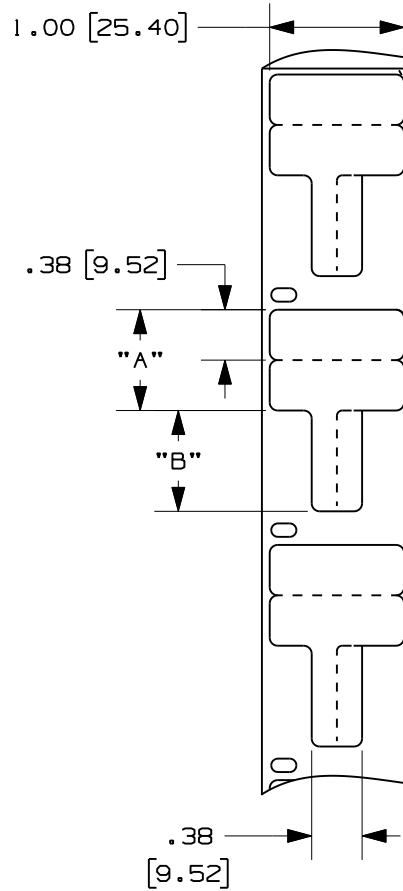


THIS COPY IS PROVIDED ON A RESTRICTED BASIS AND IS NOT TO BE USED IN ANY WAY DETRIMENTAL TO THE INTERESTS OF PANDUIT CORP.

TABLE 1			
PART NO.	DIM. "A"	DIM. "B"	LABELS PER ROLL
F100X150AJC	0.75	0.75	200

NOTES:
1. MILLIMETER ARE IN ().



CAD FILENAME/LAYERS 100412BJ-DC-C10738/06C

PANDUIT CORP. TINLEY PARK, ILLINOIS

CUSTOMER DRAWING
FLAG LABEL PI CASSETTE

UNLESS OTHERWISE SPECIFIED,
DIMENSIONAL TOLERANCES ARE:
(.X) ± .1 (XXX) ± .025
(.XX) ± .050 ANGLES ±

UNLESS OTHERWISE SPECIFIED,
ALL DIMENSIONS ARE GIVEN
IN INCHES, THIRD ANGLE PROJECTION.

REV	DATE	BY	CHK	DESCRIPTION	ECN	R	CUST	SUP
2	6/22/10	RVU		CHANGE MATERIAL, REMOVED MATRIX AND MATRIX PRINT.	6069	R		
1	9/11/08	RVU		REMOVE LINER WIDTH DIM. CHG. TITLE TO "FLAG LABEL PI CASSETTE".	5542	R		
0	8/6/08	RVU		DRAWING RELEASE.	5501	R		

DRAWN BY
RVU
DATE
08/06/08
CHK'D

MAT'L:
GMY4-HT
WHITE
POLYESTER



SCALE
NTS

DRAWING NO.
C10738

DWG
A
SIZE