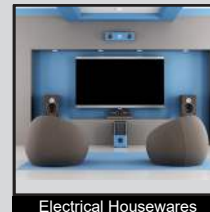


RBW2 SERIES ROCKER SWITCH

ANTI-VANDAL SWITCHES
 DETECTOR SWITCHES
 DIP SWITCHES
 KEYLOCK SWITCHES
 NAVIGATION SWITCHES
 PUSHBUTTON SWITCHES
ROCKER SWITCHES
 ROTARY SWITCHES
 SLIDE SWITCHES
 SNAP ACTION SWITCHES
 TACTILE SWITCHES
 TOGGLE SWITCHES
 CAP OPTIONS



APPLICATIONS / MARKETS



RoHS

SPECIFICATIONS

Electrical Rating: 16(16)A 125VAC 5E4 T85 [cURus]
 1/3HP 125VAC IP66 [cURus]

Electrical Life: 50,000 Cycles

Mechanical Life: 50,000 Cycles

Contact Resistance: <30mΩ Max.

Insulation Resistance: 500MΩ Min. at 500VDC

Dielectric Strength: 1,000VAC for 1 Minute

Operating Temperature: -20°C to 85°C

Ingress Protection: IP66

Panel Cutout: 22mm x 30mm

Function: DPST, Off-On DPDT, On-On

FEATURES & BENEFITS

- Full illumination options available
- Approved under new UL 61058-1 rating
- UL approved up to 1/3HP
- Internally sealed to an IP66 rating using patented technology (Patent No.: US 7,872,205 B2)

PART NUMBER CONFIGURATOR

Series



RBW2

Circuit



A - Off-On (DPST)
 *B - On-On (DPDT)

Body Color



BLK - Black
 WHT - White

Actuator Color



BLK - Black
 WHT - White
 RIL - Red Full Illumin.
 GIL - Green Full Illumin.
 YIL - Yellow Full Illumin.
 BIL - Blue Full Illumin.

Marking



A - Dot
 D - I/II Vertical
 F - I/O Vertical
 G - I/O Horizontal
 I - On/Off Vertical
 E - No Marking

Termination



F - 6.3mm Tab

Lamp Voltage



0 - No Lamp
 1 - 125VAC Neon
 2 - 250VAC Neon
 3 - 12VDC Incandescent

* Not available with Illuminaiton

Specifications subject to change without notice 11.16.2021



E-SWITCH®

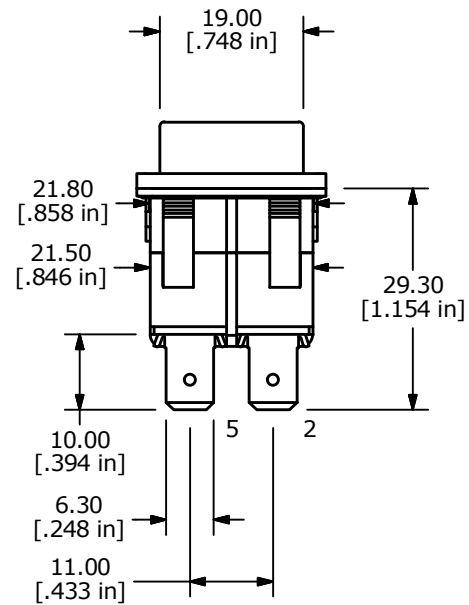
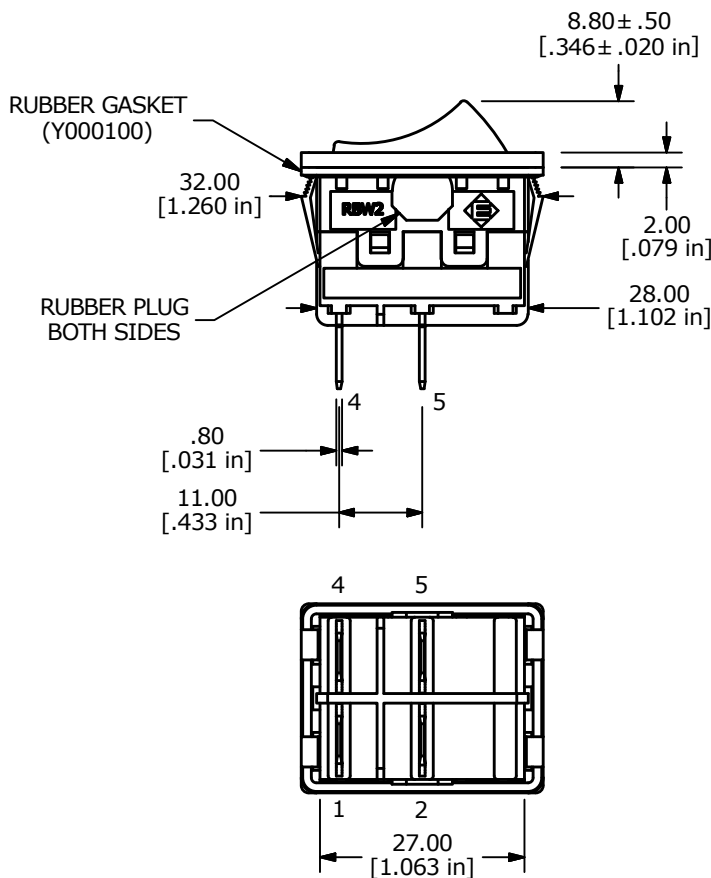
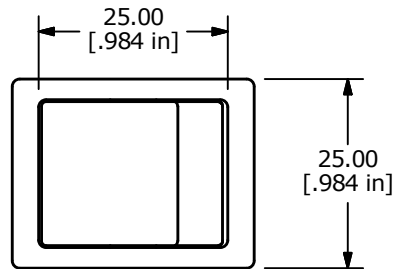
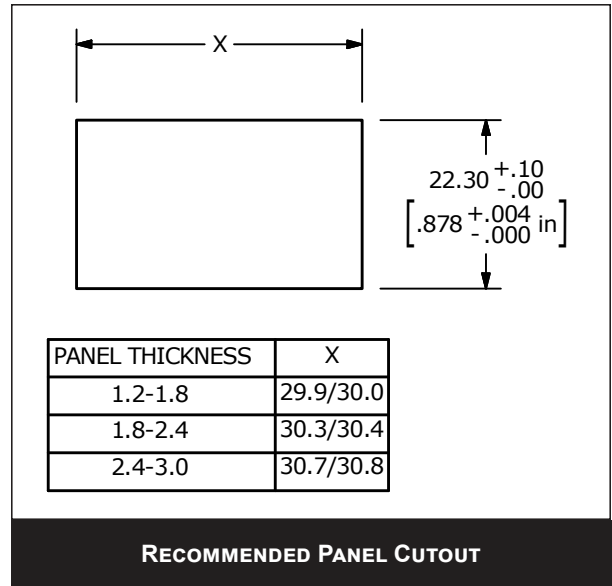
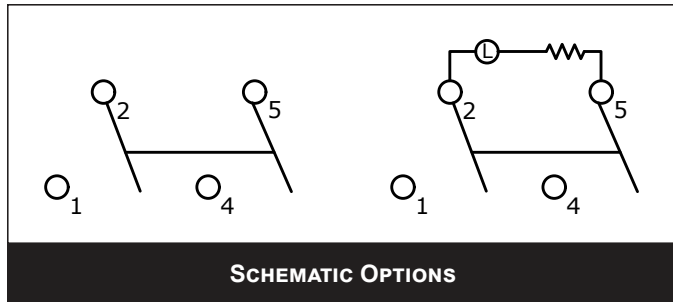
www.e-switch.com

800.867.2717

1

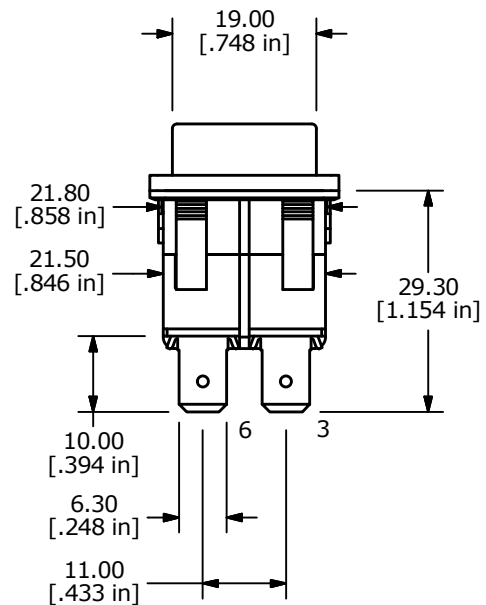
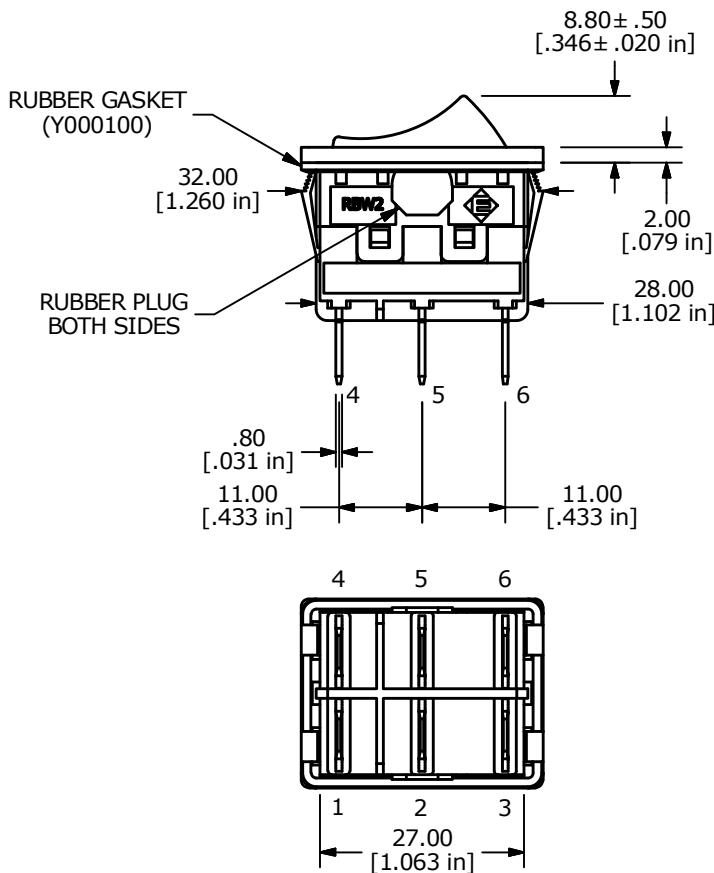
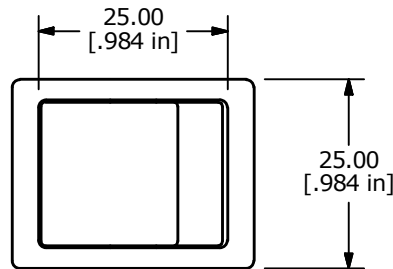
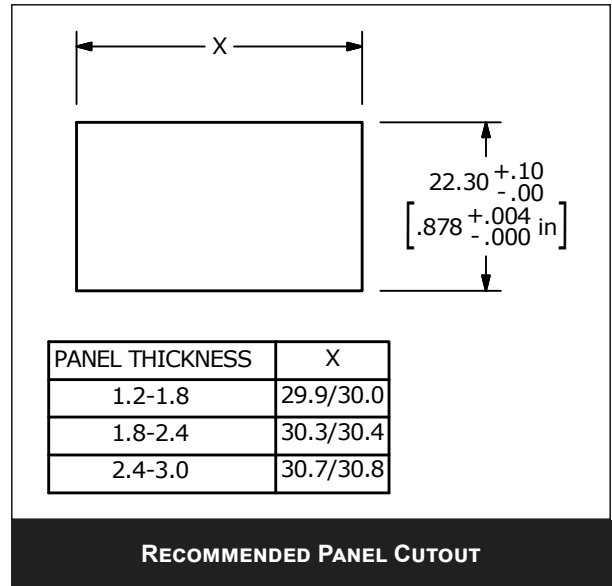
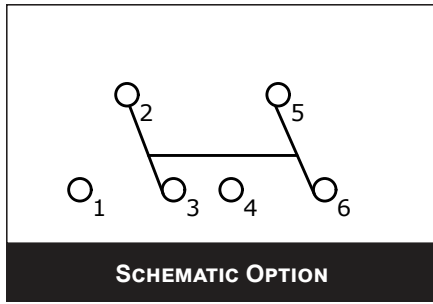
RBW2 SERIES ROCKER SWITCH

BODY DIMENSIONS A - CIRCUIT



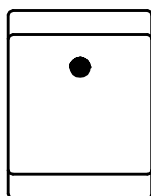
RBW2 SERIES ROCKER SWITCH

BODY DIMENSIONS B - CIRCUIT

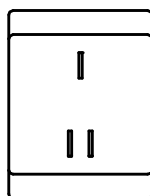


RBW2 SERIES ROCKER SWITCH

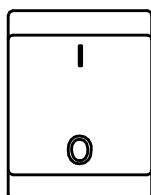
MARKING OPTIONS



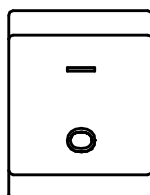
A - DOT



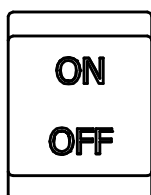
**D - I/II
VERTICAL**



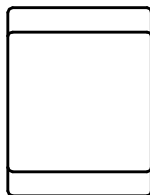
**F - I/O
VERTICAL**



**G - I/O
HORIZONTAL**



**I - ON/OFF
VERTICAL**



E - No MARKING

ANTI-VANDAL
SWITCHES

DETECTOR
SWITCHES

DIP
SWITCHES

KEYLOCK
SWITCHES

NAVIGATION
SWITCHES

PUSHBUTTON
SWITCHES

**ROCKER
SWITCHES**

ROTARY
SWITCHES

SLIDE
SWITCHES

SNAP ACTION
SWITCHES

TACTILE
SWITCHES

TOGGLE
SWITCHES

CAP
OPTIONS

