

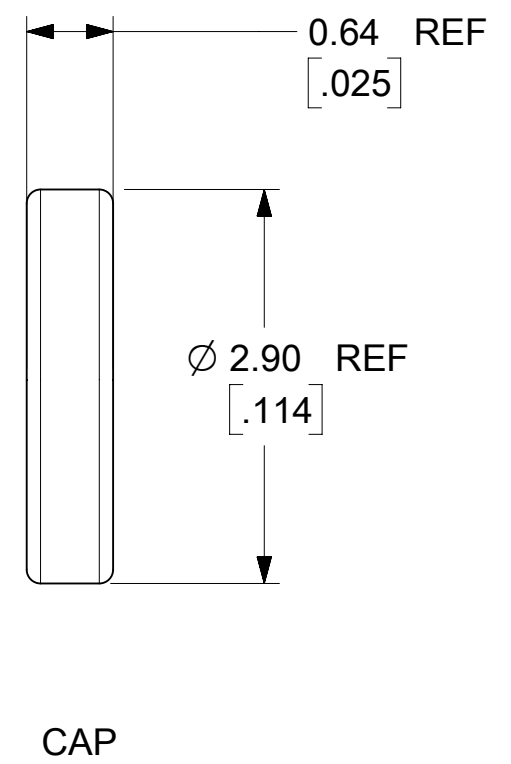
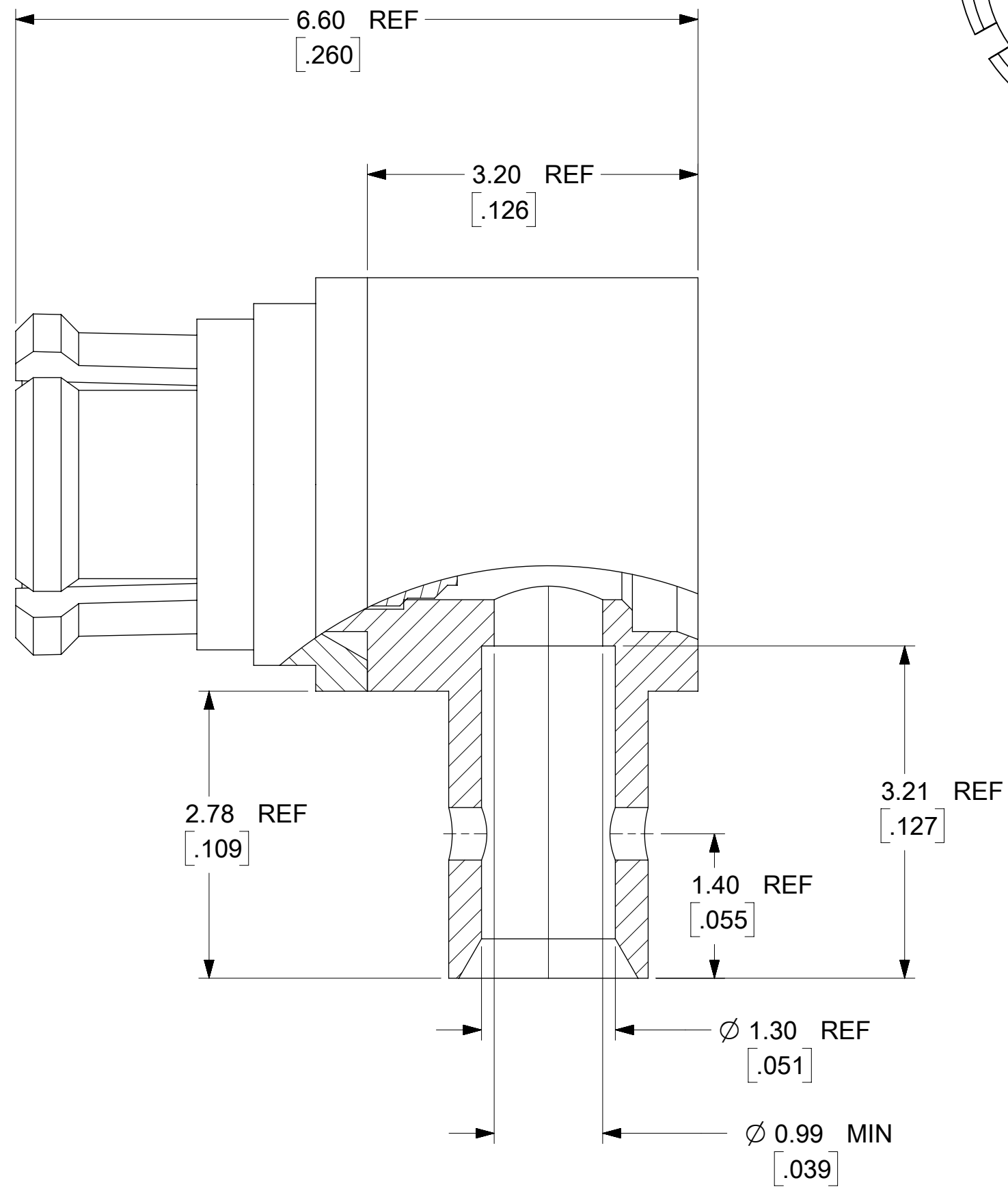
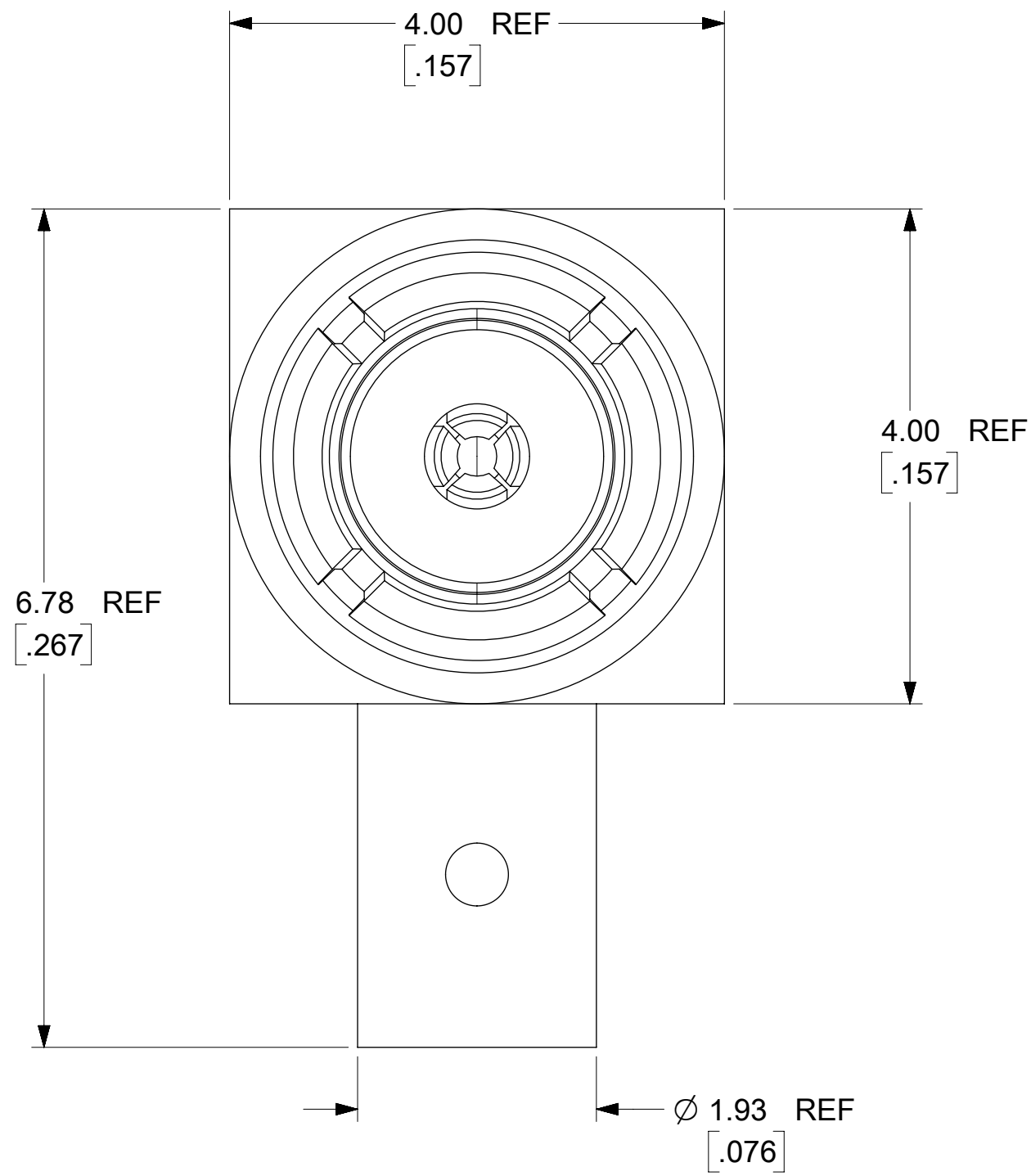
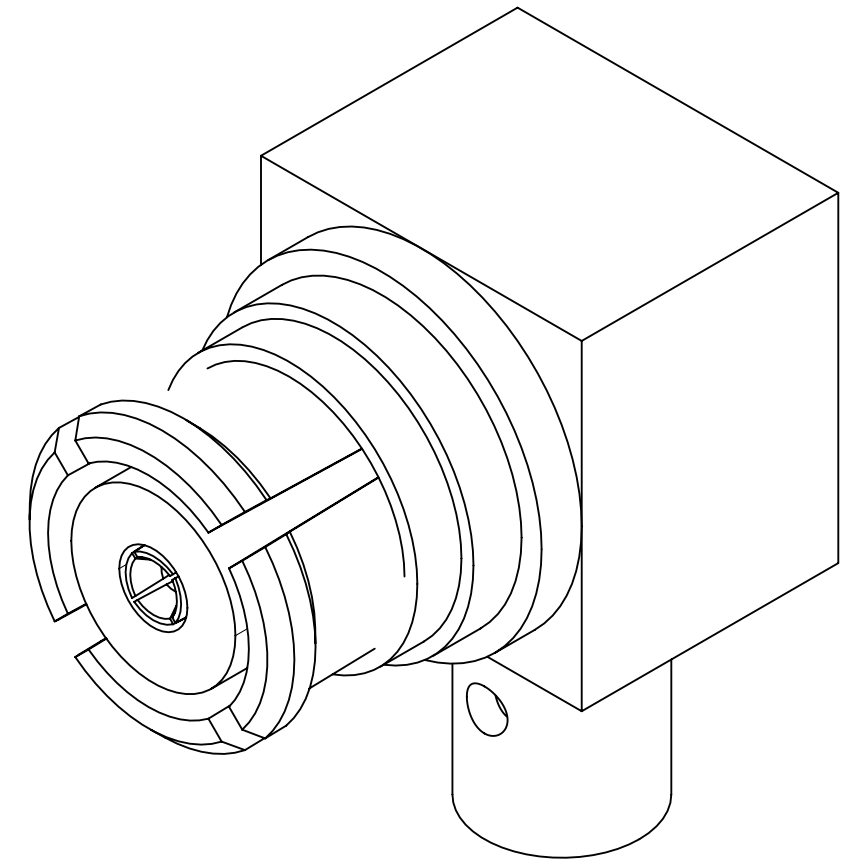
**MATERIALS AND FINISHES:**

**BODY: BERYLLIUM COPPER**  
**PLATED: GOLD (30 μ-in MIN) OVER NICKEL (100 μ-in MIN)**

**CONTACT: BERYLLIUM COPPER**  
**PLATED: GOLD (50 μ-in MIN) OVER NICKEL (100 μ-in MIN)**

**CLIP RING, CAP: BRASS**  
**PLATED: GOLD (30 μ-in MIN) OVER NICKEL (100 μ-in MIN)**

**INSULATOR: PTFE**



CAP

**VSWR 1.50 MAX DC - 26.5 GHz**

734155122	SMALL TRAY (20 CAV)
734155121	ONE PER BAG
734155120	STANDARD TRAY (80 CAV)
PART NO	DESCRIPTION

MIL-STD-348B FIG. 326-1	INTERFACE
SPECIFICATION	DESCRIPTION

FUNCTIONAL SYMBOLS	THIS DRAWING CONTAINS INFORMATION THAT IS PROPRIETARY TO MOLEX ELECTRONIC TECHNOLOGIES, LLC AND SHOULD NOT BE USED WITHOUT WRITTEN PERMISSION		CURRENT REV DESC:	
	FA = 0	DIMENSION UNITS: MM/IN	SCALE: NTS	
DIVISIONAL SYMBOLS	FC = 0	GENERAL TOLERANCES (UNLESS SPECIFIED)		
	FP = 0	4 PLACES ±	MM	INCH
		3 PLACES ±	± 0.01	
		2 PLACES ±	0.25 ±	
		1 PLACE ±	±	
		0 PLACES ±	±	
		ANGULAR TOL ±	2.0 °	
	DRAFT WHERE APPLICABLE MUST REMAIN WITHIN DIMENSIONS	THIRD ANGLE PROJECTION	DRAWING: C-SIZE	SERIES: 73415

EC NO: 636929	2020/04/28
DRWN: SSSHAH	2020/05/11
CHK'D: LMEIER	2020/05/11
APPR: AROBERTSON	2020/05/11
INITIAL REVISION:	
DRWN: SSSHAH	2004/09/23
APPR: JWIENER	2004/09/23

DOCUMENT NUMBER	DOC TYPE	DOC PART	REVISION
SD-73415-512	PSD	001	C1
MATERIAL NUMBER	CUSTOMER	SHEET NUMBER	
SEE TABLE		1 OF 2	

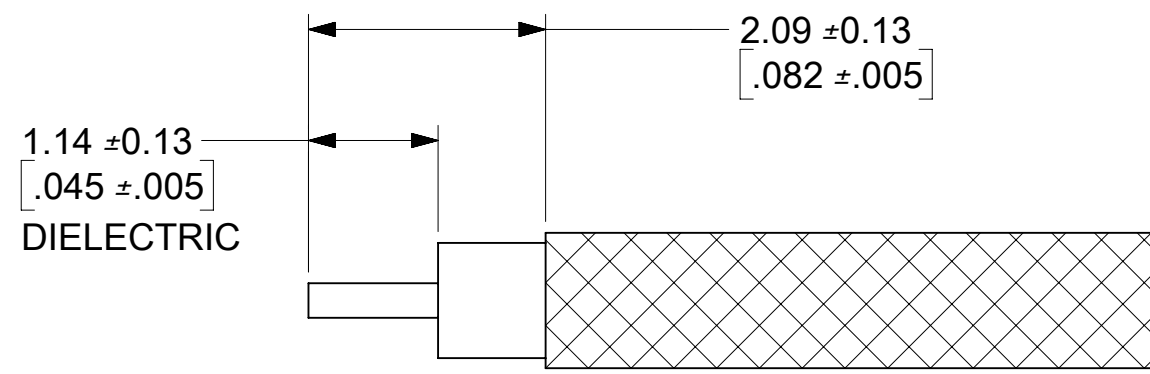
**molex**

SMP JACK RA  
 FOR 047 SIZE CABLES SMP-JC, EWR-2582

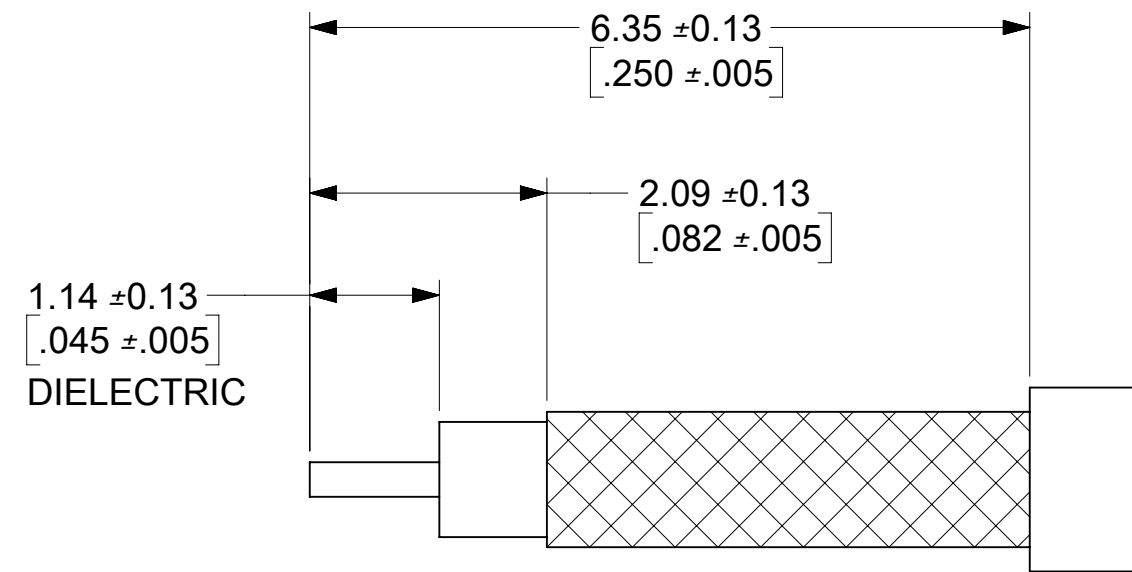
PRODUCT CUSTOMER DRAWING

DOCUMENT STATUS	P1	RELEASE DATE	2020/05/11 16:15:13
-----------------	----	--------------	---------------------

1. STRIP CABLE TO DIMENSION SHOWN

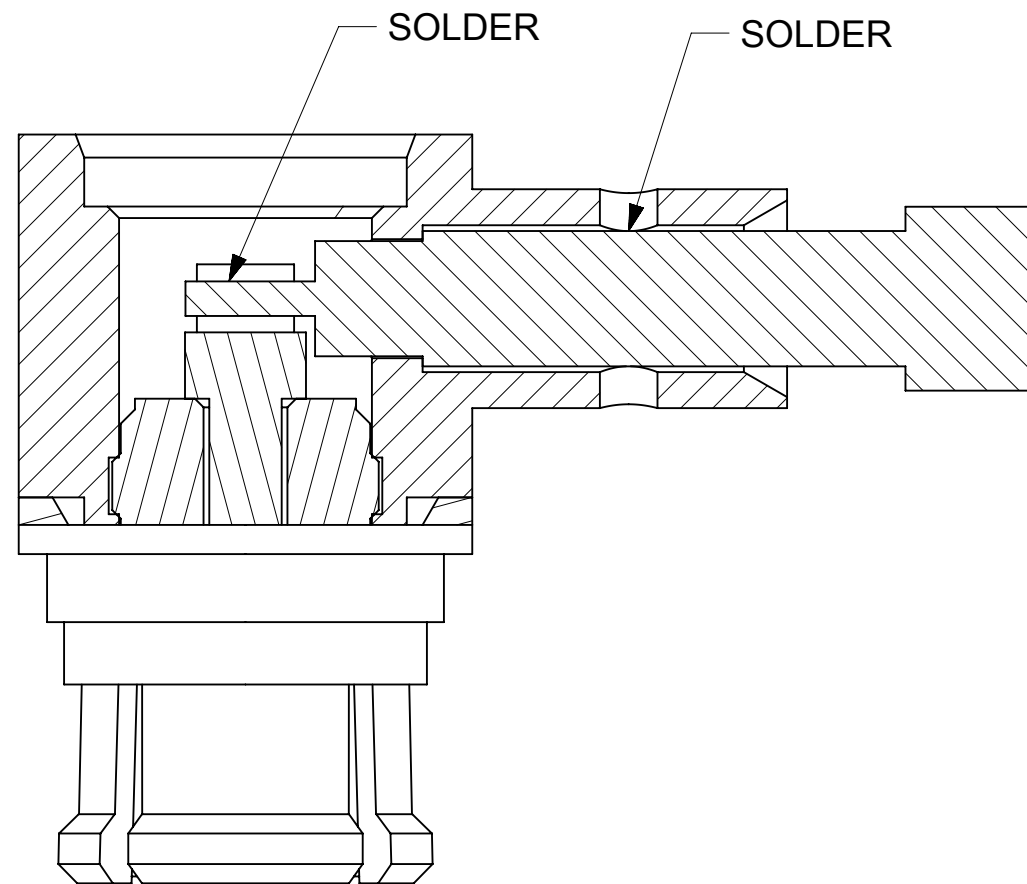


NON JACKETED CABLE

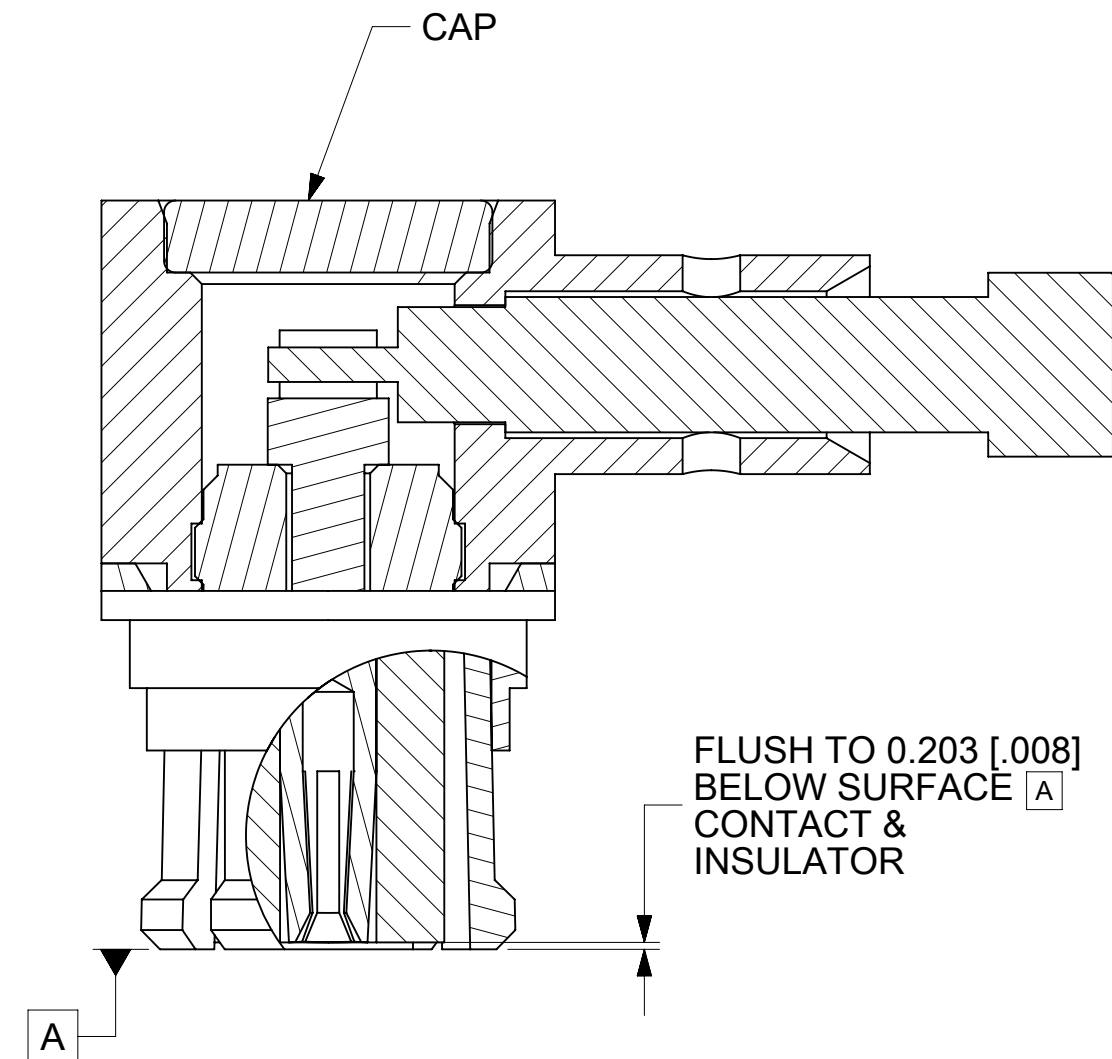


JACKETED CABLE

2. INSERT CABLE INTO CONNECTOR UNTIL BOTTOMS  
SOLDER CABLE CENTER CONDUCTOR TO CONTACT  
AND CABLE BRAID TO BODY



3. PRESS CAP INTO BODY UNTIL BOTTOMS



FUNCTIONAL SYMBOLS $\frac{F}{A} = 0$ $\frac{F}{C} = 0$ $\frac{F}{P} = 0$ DIVISIONAL SYMBOLS	THIS DRAWING CONTAINS INFORMATION THAT IS PROPRIETARY TO MOLEX ELECTRONIC TECHNOLOGIES, LLC AND SHOULD NOT BE USED WITHOUT WRITTEN PERMISSION		CURRENT REV DESC:																						
	DIMENSION UNITS: <b>MM/IN</b> SCALE: <b>NTS</b>		EC NO: 636929 DRWN: SSSHAH    2020/04/28 CHK'D: LMEIER    2020/05/11 APPR: AROBERTSON    2020/05/11			SMP JACK RA FOR 047 SIZE CABLES SMP-JC, EWR-2582																			
	GENERAL TOLERANCES (UNLESS SPECIFIED)		INITIAL REVISION: DRWN: SSHAH    2004/09/23 APPR: JWIENER    2004/09/23				PRODUCT CUSTOMER DRAWING																		
	<table border="1"> <thead> <tr> <th></th> <th>MM</th> <th>INCH</th> </tr> </thead> <tbody> <tr> <td>4 PLACES</td> <td>±</td> <td>±</td> </tr> <tr> <td>3 PLACES</td> <td>±</td> <td>± 0.01</td> </tr> <tr> <td>2 PLACES</td> <td>± 0.25</td> <td>±</td> </tr> <tr> <td>1 PLACE</td> <td>±</td> <td>±</td> </tr> <tr> <td>0 PLACES</td> <td>±</td> <td>±</td> </tr> <tr> <td>ANGULAR TOL</td> <td colspan="2">± 2.0 °</td> </tr> </tbody> </table>			MM		INCH	4 PLACES	±	±	3 PLACES	±	± 0.01	2 PLACES	± 0.25	±	1 PLACE	±	±	0 PLACES	±	±	ANGULAR TOL	± 2.0 °		DRAFT WHERE APPLICABLE MUST REMAIN WITHIN DIMENSIONS
	MM	INCH																							
4 PLACES	±	±																							
3 PLACES	±	± 0.01																							
2 PLACES	± 0.25	±																							
1 PLACE	±	±																							
0 PLACES	±	±																							
ANGULAR TOL	± 2.0 °																								