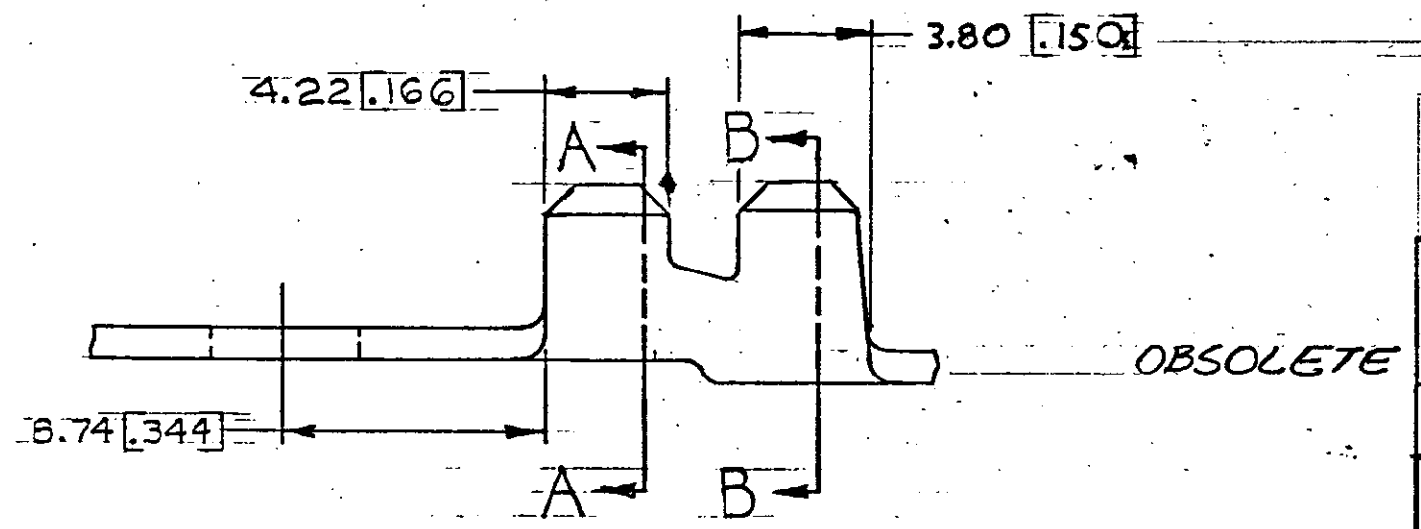
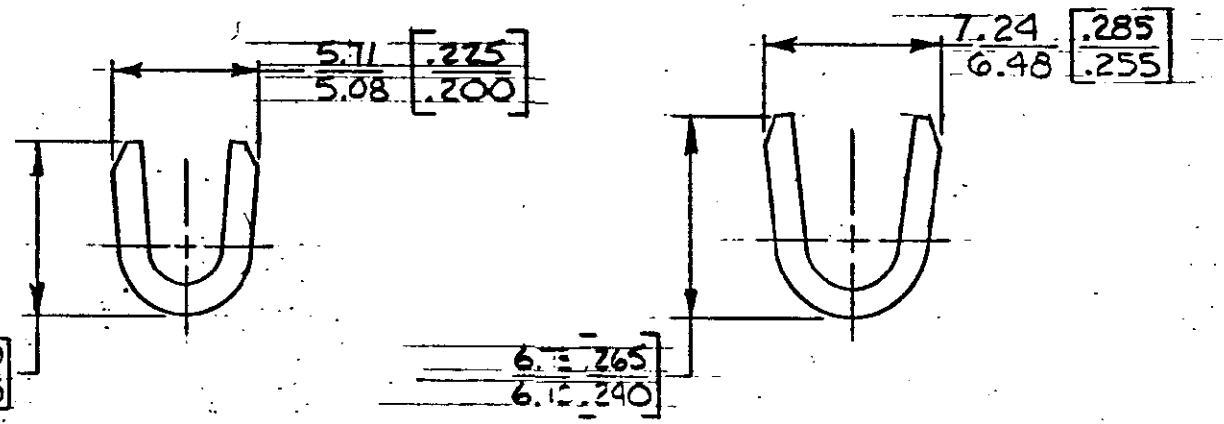
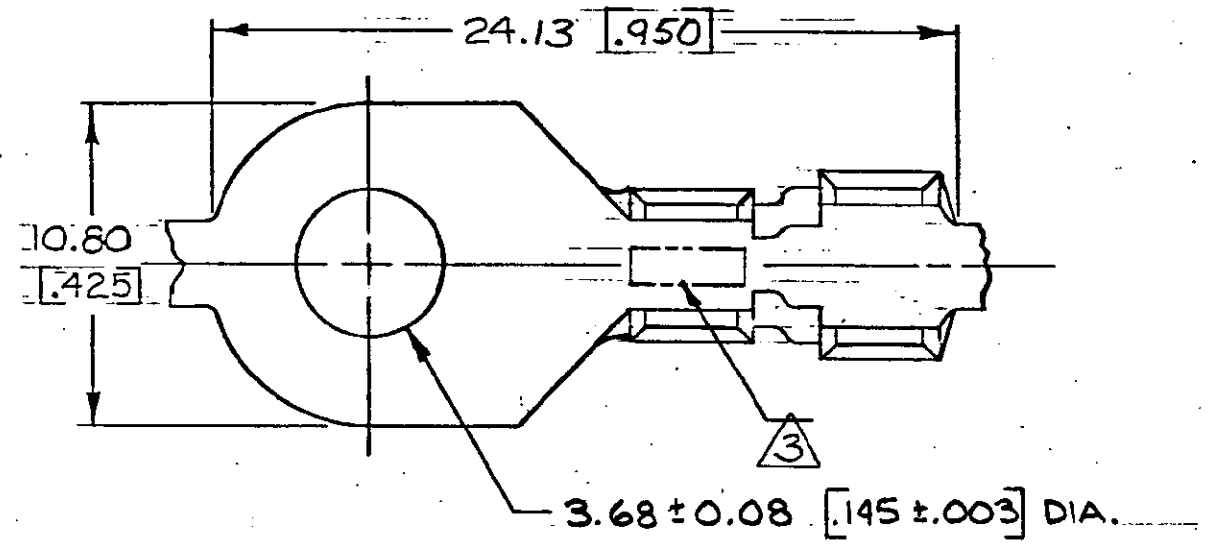


© COPYRIGHT 1964 BY AMP INCORPORATED, HARRISBURG, PA. ALL INTERNATIONAL RIGHTS RESERVED. AMP INCORPORATED PRODUCTS COVERED BY U. S. AND FOREIGN PATENTS AND/OR PATENTS PENDING.

		REVISIONS			
P/F	ZONE	LTR	DESCRIPTION	DATE	APPROVED
✓		P	REDRAWN & REVISED A-3943	5/8/78	<del>SS</del> SS
✓		R	REVISED PER A-5939	9/15/83	SS/64
✓		S	REV. INSULATION BARREL AF-2280	1-7-87	MSF/64
✓		T	OBS. 4224 PER AF-3812	4-29-88	TMS/JT
✓		T	OBS. 4224-1 PER AF-3813		
✓		U	REACT - AF-5567	9/20/89	PMF/64
✓		V	REV PER AF-8047	7/16/92	PMF/64
✓		W	ADD-2 PER 0247-93	7/30/93	PMF/64
✓		Y	REV PER 2710-0137-96	12/16/96	PMF/64



M-3.5 #6	20-3.0mm <sup>2</sup> [4-12]	3.30-4.57 [130-180]	TV	1.02 [.040] PHOS BRZ	40604-2
STUD SIZE	WIRE RANGE	INSULATION RANGE	TN	1.02 [.040] BRASS	40604-1
			FINISH	MATERIAL	40604
					PART NO

UNLESS OTHERWISE SPECIFIED DIMENSIONS ARE IN <u>mm</u> TOLERANCES ON: DECIMALS ±0.38 [0.15] ANGLES ±	CONTRACT NO	AMP INCORPORATED Harrisburg, Pa.
MATERIAL	DR <i>Doug Stone</i> 5/8/78	
SEE TABLE	CHK <i>S. Schaffner</i> 7/26/78	RING
FINISH	APPD <i>R.P. Evans</i> 8-10-78	
SEE TABLE	APPD <i>G. J. Lutz</i> 8-10-78	SIZE <b>B</b> CODE IDENT NO 00779 DRAWING NO 40604
	DSGN APPD	SCALE SHEET
	OTHER APPD	

1. CONTINUOUS STRIP ON REELS  
 2. DIMENSIONS IN BRACKETS  
 ARE IN INCHES.  
 3. STAMPING: AMP FOR 40604-1  
 AMP\* FOR 40604-2

**METRIC**