

THE DRAWING FOR
YOUR REFERENCE

SPECIFICATIONS
OF
VIBRATION DETECTION SWITCH

MODEL NAME : D7H-B 1

OUTLINE DRAWING NO. 3352535-9

WRITTEN: Y. Kamihashi Aug. 24. 2001

CHECKED: _____

APPROVED: H. Arai Aug. 24. 2001

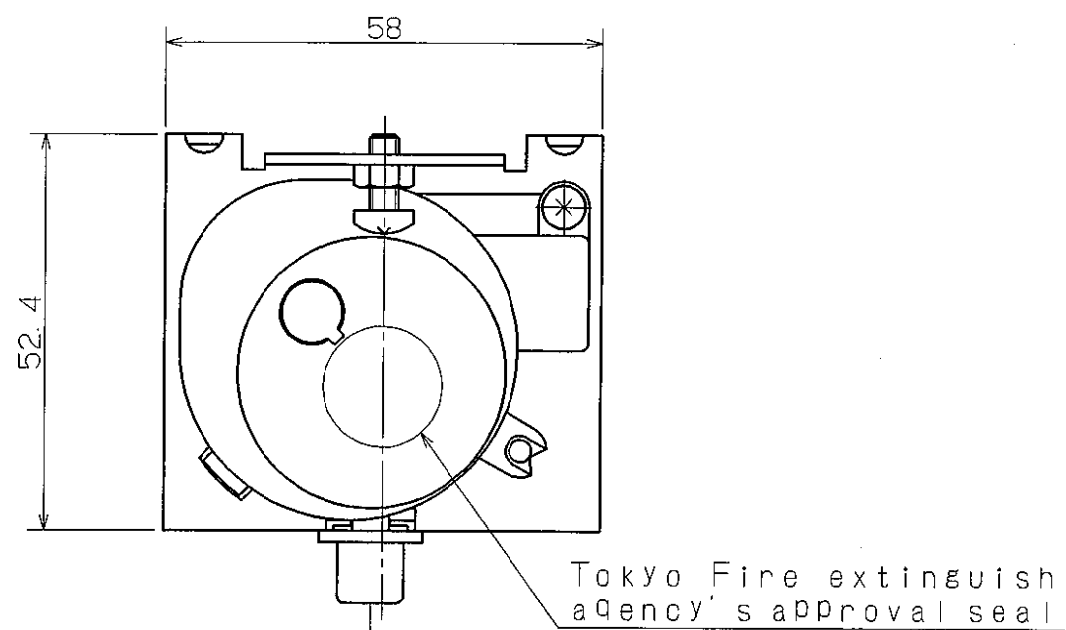
OMRON CORPORATION

- THE DRAWING FOR
YOUR REFERENCE**
1. Tokyo Fire Extinguish Agency's approval number 96L-1773
 2. Outline dimension Outline drawings No.3352535-9
 3. Operating method Steal ball
 4. Acceleration 100 to 170 gal (Frequency 0.3, 0.5, 0.7sec.)
 5. Electrical rating 10A 125VAC($\cos \phi = 0.5$)
10A 250VAC($\cos \phi = 0.5$)
 6. Dielectric strength 1,500VAC , 50/60Hz, 1 minute between live metal parts and non-live metal parts.
 7. Insulation resistance 50M Ω min. between live metal parts and non-live metal parts (500VDC megger)
 8. Vibration resistance Double amplitude 1.5mm , Frequency 10 to 55 Hz, X,Y,Z each direction 2 hours, Total 6 hours, with steal ball being locked
 9. Shock resistance 294 m/s² (30G)
 10. Moisture resistance 92.5 \pm 2.5%RH, 40 $^{\circ}$ C after 48 hours testing, leaving the samples for 30 minutes with normal temperature and moisture, then the insulation resistance shall be over 5M Ω .
 11. Operating temperature -10 to 70 $^{\circ}$ C
 12. Operating humidity 45 to 85 % RH
 13. Warranty period and coverage
 - (1) Warranty period One year from the date of delivery
 - (2) Warranty coverage If this product is determined to be defective without customer's any misuse during the warranty period, we will replace or repair a defective product or parts. However warranty is done with delivery unit and does not include replacing fee such as labor cost, damage compensation.
 14. Specification validity

this specification is invalid unless we receive your approval or order placement within one year since submission of this specification.

If there is no claim from both sides after your approval or order placement, validity of specification will be renewed every one year.

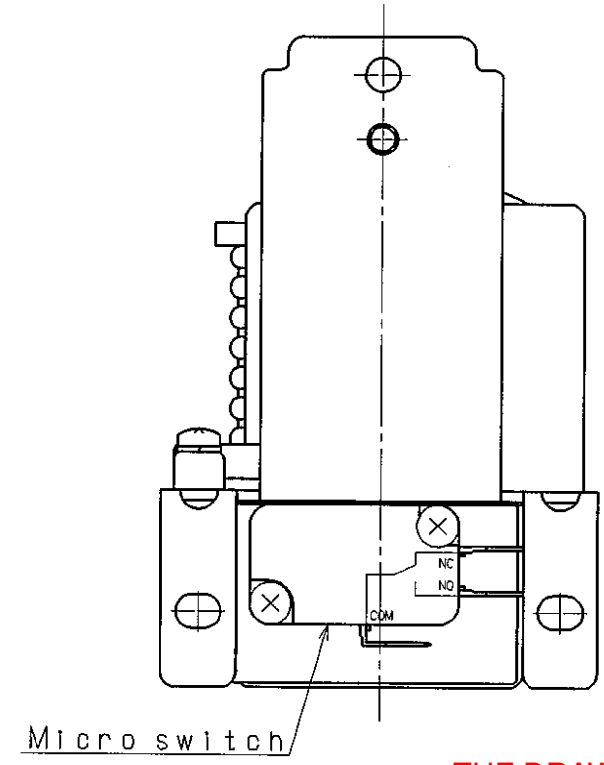
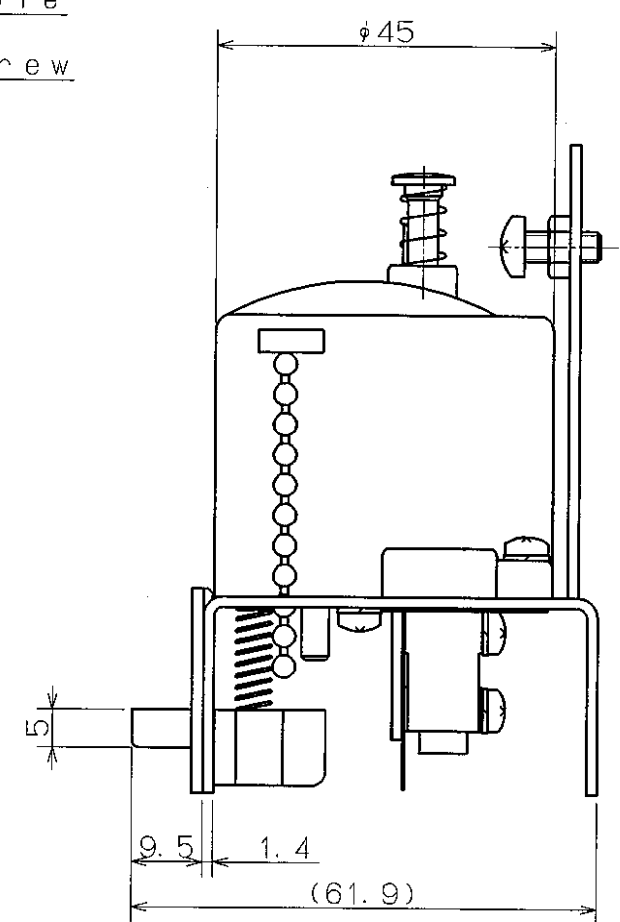
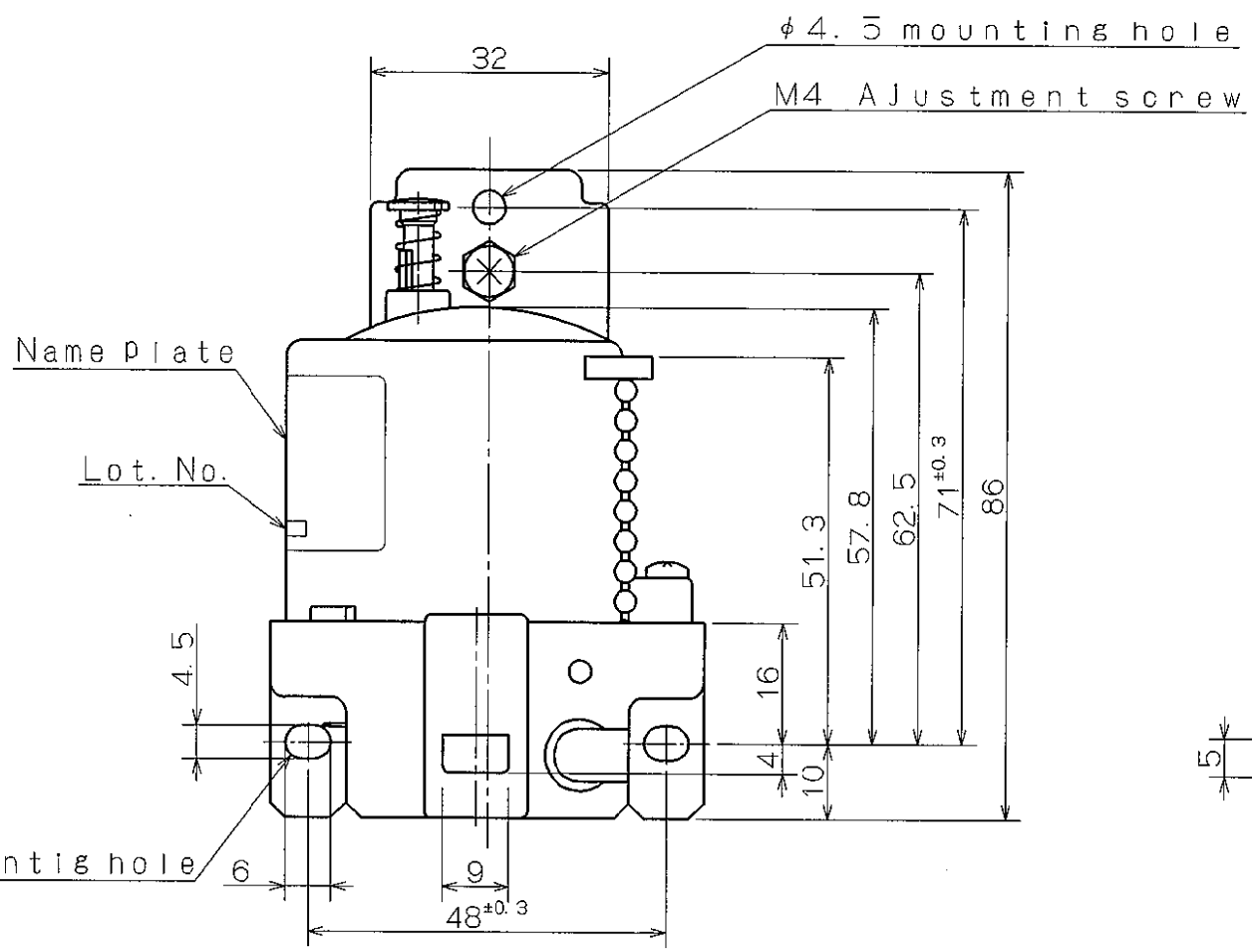
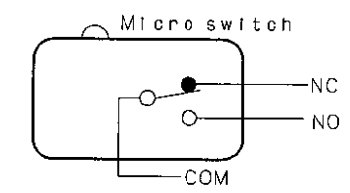
A
B
C
D
E
F



NOTE1. Operating characteristics

Operating method	Steal ball
Acceleration	100~170gal
Frequency	0.3~0.7sec
Rating	10A,125,250VAC COSφ=0.5

- Unspecified tolerance on the crawling is ±0.8mm
- Do not apply external force at 19.6N or over to lateral direction of the terminal and at 78.4N or over to tensile direction of it.
- After soldering wires to the terminals, do not hung the product with the wires.
- Terminal configuration



THE DRAWING FOR YOUR REFERENCE

					MATERIAL			SCALE 1:1	THE MODEL D7H-B1 VIBRATION DETECTION SWITCH OUTLINE DRAWING
					FINISH				
					TOLERANCE UNLESS SPECIFIED	DESIGNED Y. Kamihashi Aug. 24, 2001	CHECKED	APPROVED H. Arai Aug. 24, 2001	3RD ANGLE
SYM	DATE	E/C CONTENTS	E/C NO.	SIGN				SHEET	DRWG NO. 3352535-9 A
									DESIGNED FOR