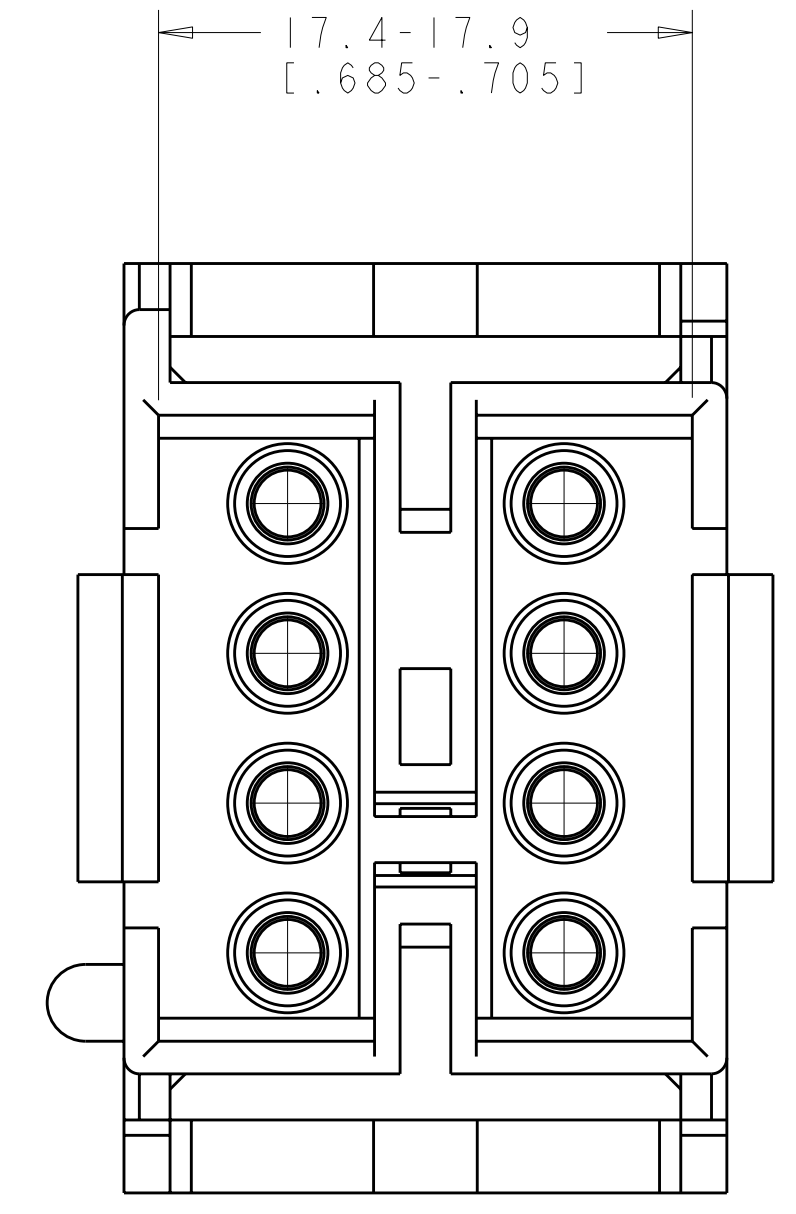
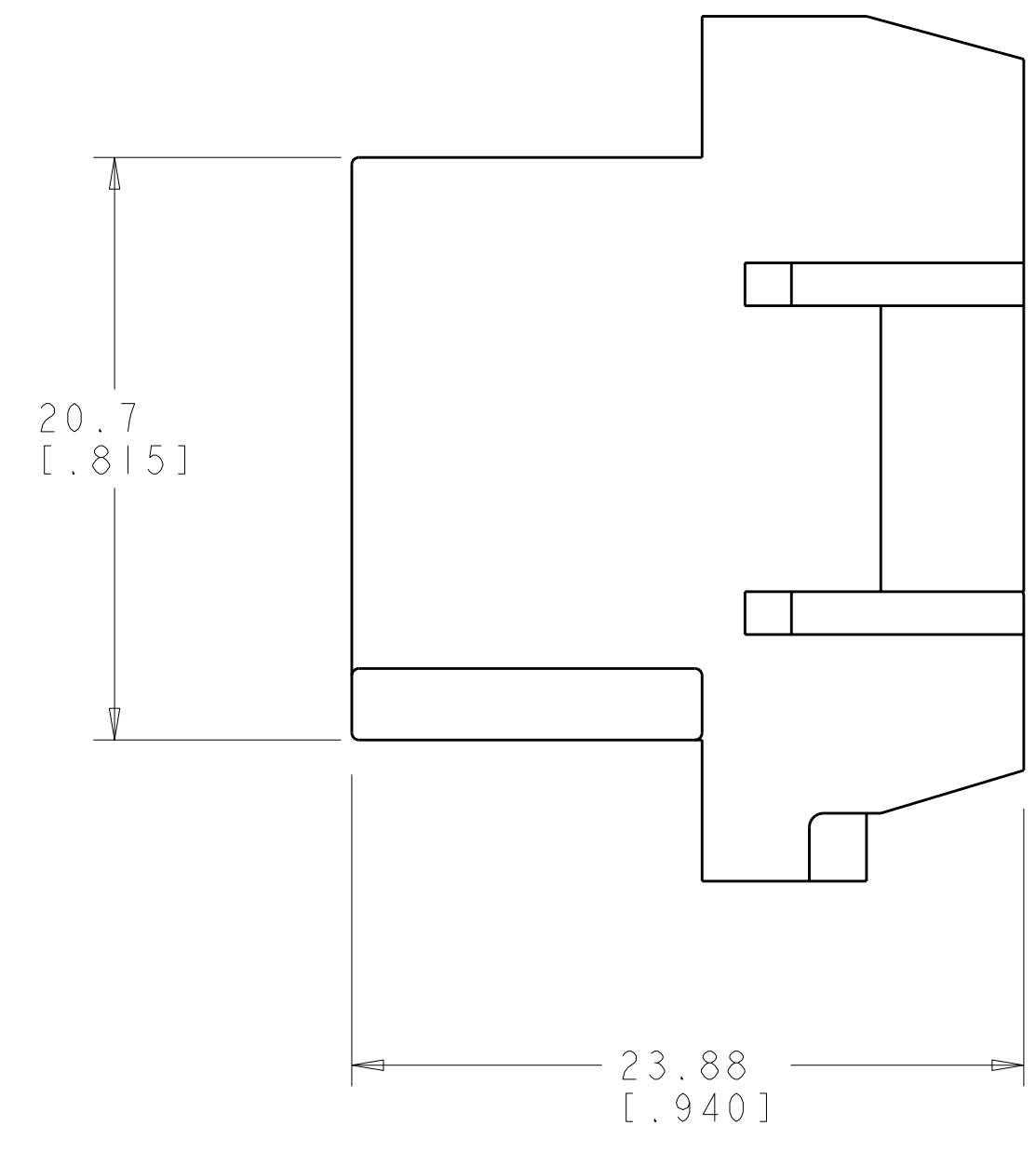
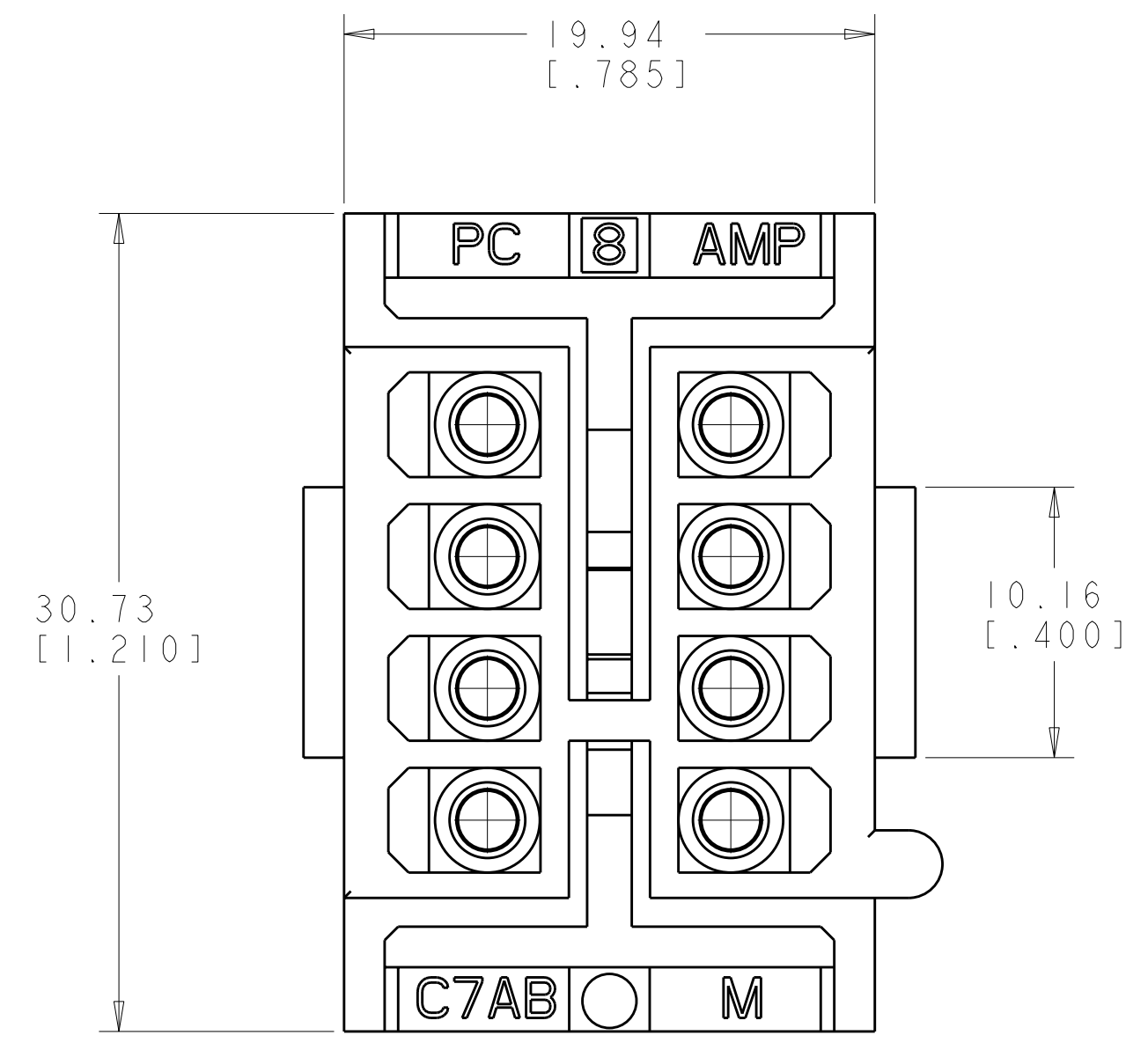
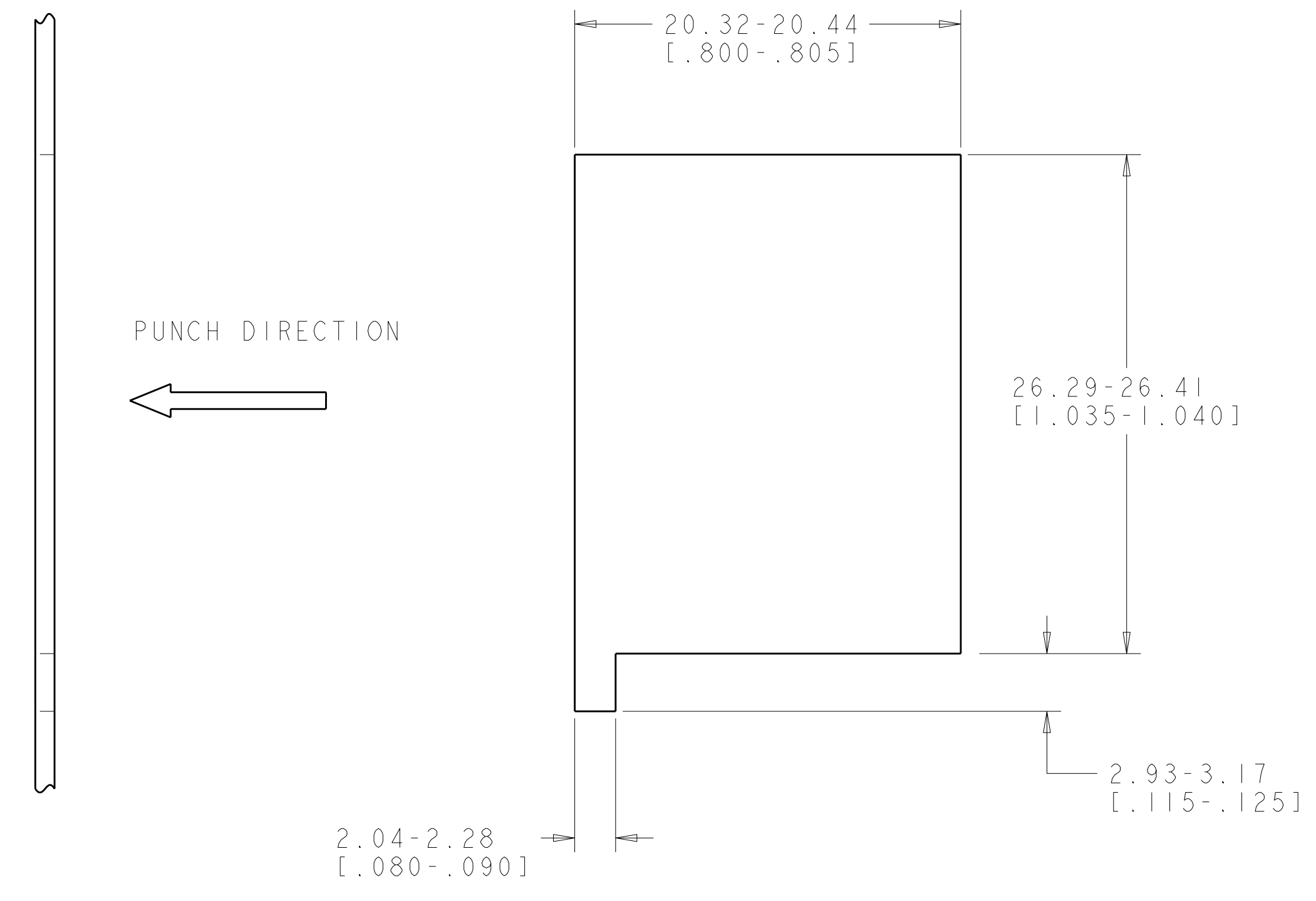
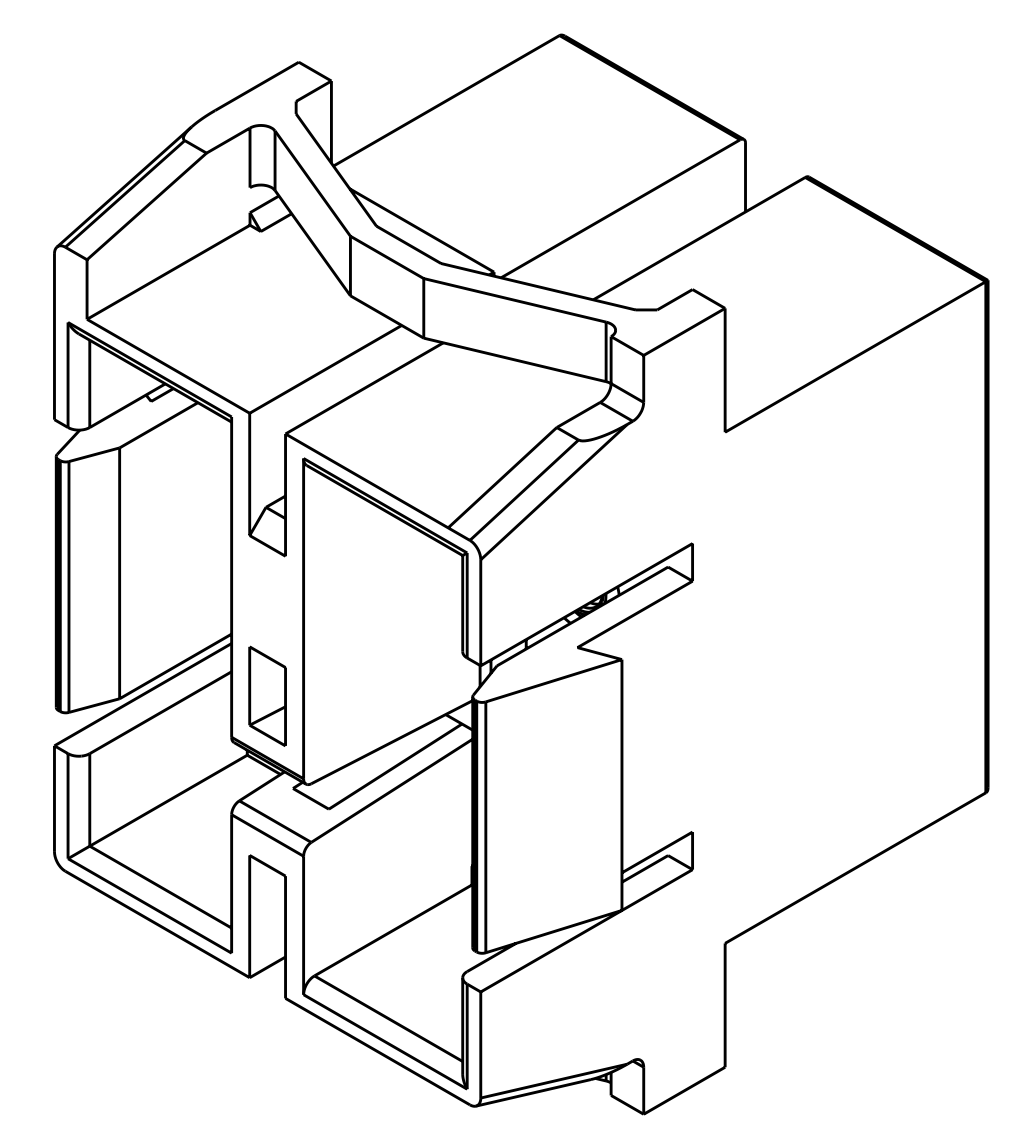
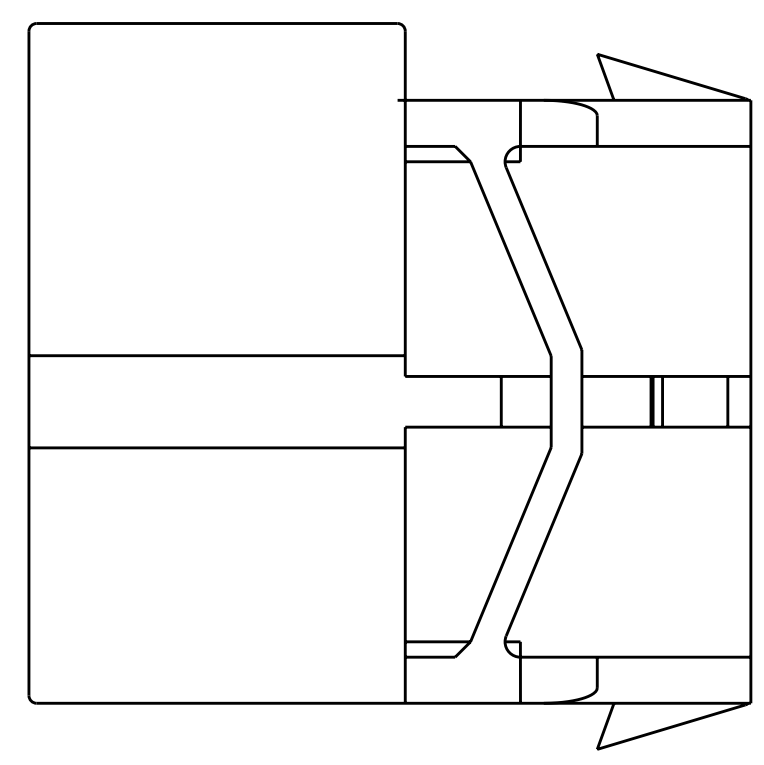


LOC	DIST	REVISIONS			
P	LTB	DESCRIPTION	DATE	DWN	APVD
K		REVISED PER ECO-07-012587	31MAY2007	KW	CC
K1		REVISED PER ECO-10-000445	15JAN10	KK	AEQ



1. USE TERMINALS 61208, 61209, 61212, 61213.
 2. MATES WITH PLUG 480374.
 3. PANEL MUST BE PINCHED SO THAT THE HOUSING ENTERS THE PANEL IN THE SAME DIRECTION AS THE PUNCH.
- ⚠ OBSOLETE PARTS: OBSOLETE CIS STREAMLINING PER D.RENAUD/D.SINISI



RECOMMENDED MOUNTING HOLE
 FOR PANEL THICKNESS 0.51-1.52 [0.020-.060]

OBSOLETE	0.293 IN ³	NYLON, BLACK	1-480373-1
	0.293 IN ³	NYLON, NATURAL	1-480373-0
	VOLUME	MATERIAL	PART NUMBER

<small>THIS DRAWING IS UNPUBLISHED. RELEASED FOR PUBLICATION BY TYCO ELECTRONICS CORPORATION. ALL RIGHTS RESERVED.</small> <small>THIS IS SUBJECT TO CHANGE WITHOUT NOTICE AND WITHOUT OBLIGATION. TYCO ELECTRONICS CORPORATION SHALL BE CONTACTED FOR THE LATEST REVISION.</small>		DWN: K. WHITAKER 31MAY2007 CHK: C. CASH 31MAY2007 APVD: C. CASH 31MAY2007	Tyco Electronics Harrisburg, PA 17105-3608
DIMENSIONS: mm [INCHES] TOLERANCES UNLESS OTHERWISE SPECIFIED: 0 PLC ± 1 PLC ±0.38 [0.015] 2 PLC ± 3 PLC ± 4 PLC ± ANGLES ±1°		NAME: CAP. 8 CIRCUIT, AUTOMOTIVE MATE-N-LOK(TM) PRODUCT SPEC: APPLICATION SPEC: WEIGHT:	SIZE: A 00779 C=480373 RESTRICTED TO:
MATERIAL: SEE TABLE FINISH:		CUSTOMER DRAWING SCALE: 4:1 SHEET: 1 OF 1 REV: K1	

