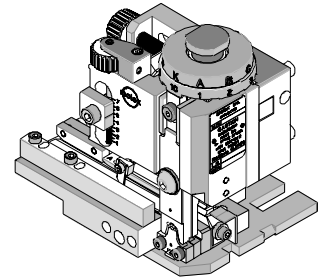




Mini-Mac Applicator Application Tooling Specification Mechanical Feed-Metal Strip Order No. 63881-5600



FEATURES

- Directly adapts to most crimp presses and automatic wire processors
- Applicator designed to industry-standard mounting and shut height of 135.80mm (5.346")
- Conductor and insulation rings allow quick adjustment for conductor and insulation crimp height change
- Quick set-up time; plus the crimp height, track and feed adjustments can be set without removing the applicator from the crimp press

SCOPE

Products: Metal strip, open barrel Star Ring and Ring Tongue Terminals 12-18 AWG

Testing

Mechanical

The tensile test, or pull test, is a means of evaluating the mechanical properties of the crimped connections. The following chart shows the UL and government specifications (MIL-T-7928) for various wire sizes. The tensile strength is shown in pounds and indicates the minimum acceptable force to break or separate the terminal from the conductor.

Color Code	Wire Size (AWG)	*UL - 486 A	*UL - 486 C	*UL - 310	*Military Class 2
Yellow	26	3	N/A	N/A	7
Yellow	24	5	N/A	N/A	10
Red	22	8	8	8	15
Red	20	13	10	13	19
Red	18	20	10	20	38
Blue	16	30	15	30	50
Blue	14	50	25	50	70
Yellow	12	70	35	70	110
Yellow	10	80	40	80	150
Red	8	90	45	N/A	225
Blue	6	100	50	N/A	300

*UL - 486 A - Terminals (Copper conductors only)

*UL - 486 C - Butt Splices, Parallel Splices, Closed End Connectors, and Wire Nuts

*UL - 310 - Quick Disconnects, Flag and Couplers

*Military Class 2- Military Approved Terminals only as listed

Product List

The following is a partial list of the product order numbers and their specifications that this tool is designed to run. Updates to this list are available on www.molex.com.

Terminal No.	Terminal Eng. No.	Wire Size		Insulation Diameter Max.		Strip Length	
		AWG	mm ²	mm	In.	mm	In.
19084-0001	SRZ-0129-06	14-18	2.00-0.80			6.35	.250
19084-0002	SRZ-0129-08	14-18	2.00-0.80			6.35	.250
19084-0003	SRZ-0129-10	14-18	2.00-0.80			6.35	.250
19084-0004	SRZ-4129-06	14-18	2.00-0.80			6.35	.250
19084-0005	SRZ-4129-08	14-18	2.00-0.80			6.35	.250
19084-0006	SRZ-4129-10	14-18	2.00-0.80			6.35	.250
19084-0007	SRZ-S-4129-06	14-18	2.00-0.80			6.35	.250
19084-0008	SRZ-S-4129-08	14-18	2.00-0.80			6.35	.250
19084-0009	SRZ-S-4129-10	14-18	2.00-0.80			6.35	.250
19085-0001	RZ-0129-06	14-18	2.00-0.80			6.35	.250
19085-0002	RZ-0129-08	14-18	2.00-0.80			6.35	.250
19085-0003	RZ-0129-10	14-18	2.00-0.80			6.35	.250
19085-0004	RZ-4129-06	14-18	2.00-0.80			6.35	.250
19085-0005	RZ-4129-08	14-18	2.00-0.80			6.35	.250
19085-0006	RZ-4129-10	14-18	2.00-0.80			6.35	.250
19085-0007	RZ-S-4129-06	14-18	2.00-0.80			6.35	.250
19085-0008	RZ-S-4129-08	14-18	2.00-0.80			6.35	.250
19085-0009	RZ-S-4129-10	14-18	2.00-0.80			6.35	.250

Note: 14-18 AWG terminals also accept 12 AWG.

DEFINITION OF TERMS

The following illustrations are a generic terminal representation and not an exact image of any terminal listed in the scope.

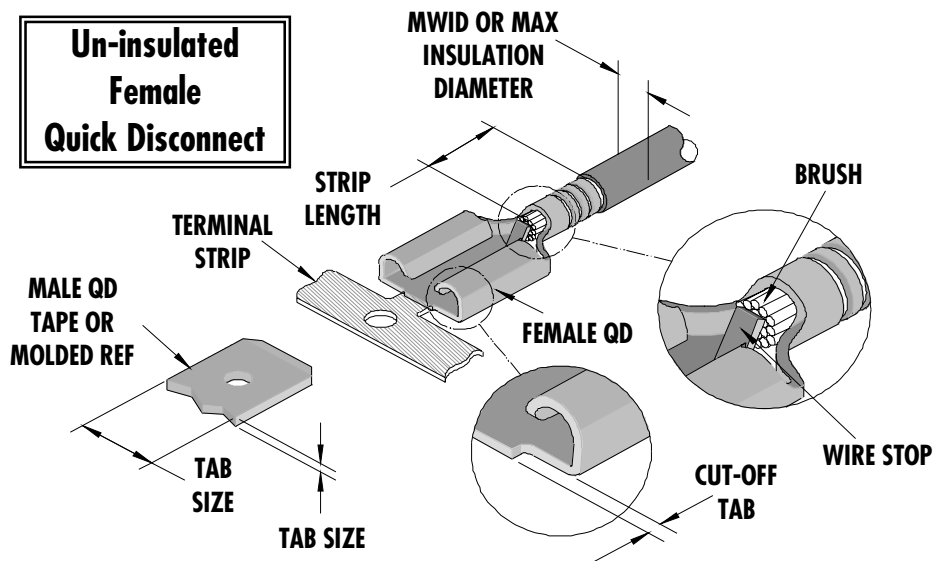


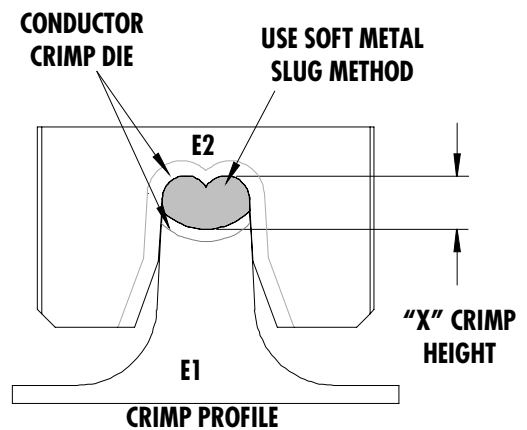
Figure 1

Tool Calibration

To recalibrate this applicator, make sure the power is completely shut off on the press.

1. The Mini-Mac applicator must be properly installed in the press.
2. Crimping dies must be properly installed in the Mini-Mac applicator.
3. The recommended method of measuring the crimp height of the conductor dies is the soft metal slug method, (See Figure 2).
4. The slug must have a diameter 0.51 mm (.020") larger than the "X" No Go dimension before crimping.
5. Place the soft metal slug (solder) into the nest of the bottom die and crimp (by hand cycling the press) similar to a terminal. The crimp height can be measured with a blade type micrometer or dial caliper, (Dimension "X").
6. Adjustment of the crimp height can be accomplished by indexing the conductor cam. The letter "A" gives the loosest position and "K" gives the tightest position. A total adjustment of 0.50mm (.020") can be achieved by adjusting the conductor cam.

Note: If the crimp height is too tight on the setting "A", check the shut height of the press. See the Industrial Mini-Mac Applicator Manual Section 2.1 for adjustments.



Use soft metal slug (solder) method to measure the "X" dimension. Verify tooling crimp height calibration by referring to the Go/No Go dimensions shown in the chart below.

Figure 2

CRIMP SPECIFICATIONS

Wire Size		"X" Dimension Conductor Crimp						Pull Force Min.	
AWG	mm ²	Mean		Go		No Go		Lbs	N
		In	mm	In	mm	In	mm		
12	3.30	.085	2.16	.083	2.10	.088	2.23	70.0	311.4
14	2.00	.085	2.16	.083	2.10	.088	2.23	50.0	222.4
16	1.30	.085	2.16	.083	2.10	.088	2.23	30.0	133.4
18	0.80	.085	2.16	.083	2.10	.088	2.23	20.0	89.0

Terminal Series No.	Cut-off Tab Max.	
	mm	In.
19084-00**	0.50	.020
19085-00**	0.50	.020

Pull Force should be measured with no influence from the insulation crimp. The above specifications are guidelines to an optimum crimp.

PARTS LIST

Mini-Mac Applicator 63881-5600				
Item	Order No	Engineering No.	Description	Quantity
Perishable Tooling				
	63881-5670	63881-5670	Tool Kit (All "Y" Items)	REF
1	63468-0017	63468-0017	Conductor Punch	1 Y
2	63464-0017	63464-0017	Conductor Anvil	1 Y
3	63463-0017	63463-0017	Insulation Punch	1 Y
4	63462-0017	63462-0017	Insulation Anvil	1 Y
12	63466-0201	63466-0201	Cut-off Plunger Rear	1 Y
14	63466-0301	63466-0301	Rear Plunger Retainer	1 Y
16	63466-0002	63466-0002	Cut-Off Blade	1 Y
Other Components (REF 15550)				
22	63466-0404	63466-0404	Cut-off Plunger Striker (Rear)	1
24	63466-0101	63466-0101	Scrape Chute	1
25	63700-0539	63700-0539	Cut-Off Plunger Spring	1
33	63443-0021	63443-0021	Lower Tooling Key	1
35	63466-1040	63466-1040	Spacer	1
36	63466-1089	63466-1089	Spacer	1
45	11-18-4080	60707-5	Wire Stop	1
51	63600-1290	63600-1290	Washer	1
52	63890-0866	63890-0866	Collar-6.40 Lg.	1
53	63890-0867	63890-0867	Collar-7.70 Lg.	1
72	63801-4510	63801-4510	Terminal Guide Front	1
95	63600-0110	63600-0110	M4 Washer, 3mm Thick	1
Frame				
81	63801-3201	63801-3201	Mechanical Feed Applicator Frame Head	REF
82	63801-3281	63801-3281	Base	REF
83	63801-4550	63801-4550	Track Assembly	REF
Hardware				
91	N/A	N/A	M4 by 12 Lg SHCS	1**
92	N/A	N/A	M4 by 20 Lg SHCS	4**
93	N/A	N/A	M4 by 45 Lg. SHCS	1**
94	N/A	N/A	M4 by 50 Lg. SHCS	1**
96	N/A	N/A	M5 by 14 Lg. SHCS	1**
97	N/A	N/A	M8 by 30 Lg. BHCS	1**
98	N/A	N/A	3mm by 6 Lg. Roll Pin	1**
** Available from an industrial supply company such as MSC (1-800-645-7270).				

Note: Crimp profiles used in 63881-5600 are equivalent to 19031-0069/MMZ-Z-410 and 19029-0053/ASP-Z-410 (UL file number E32244).

Assembly Drawing

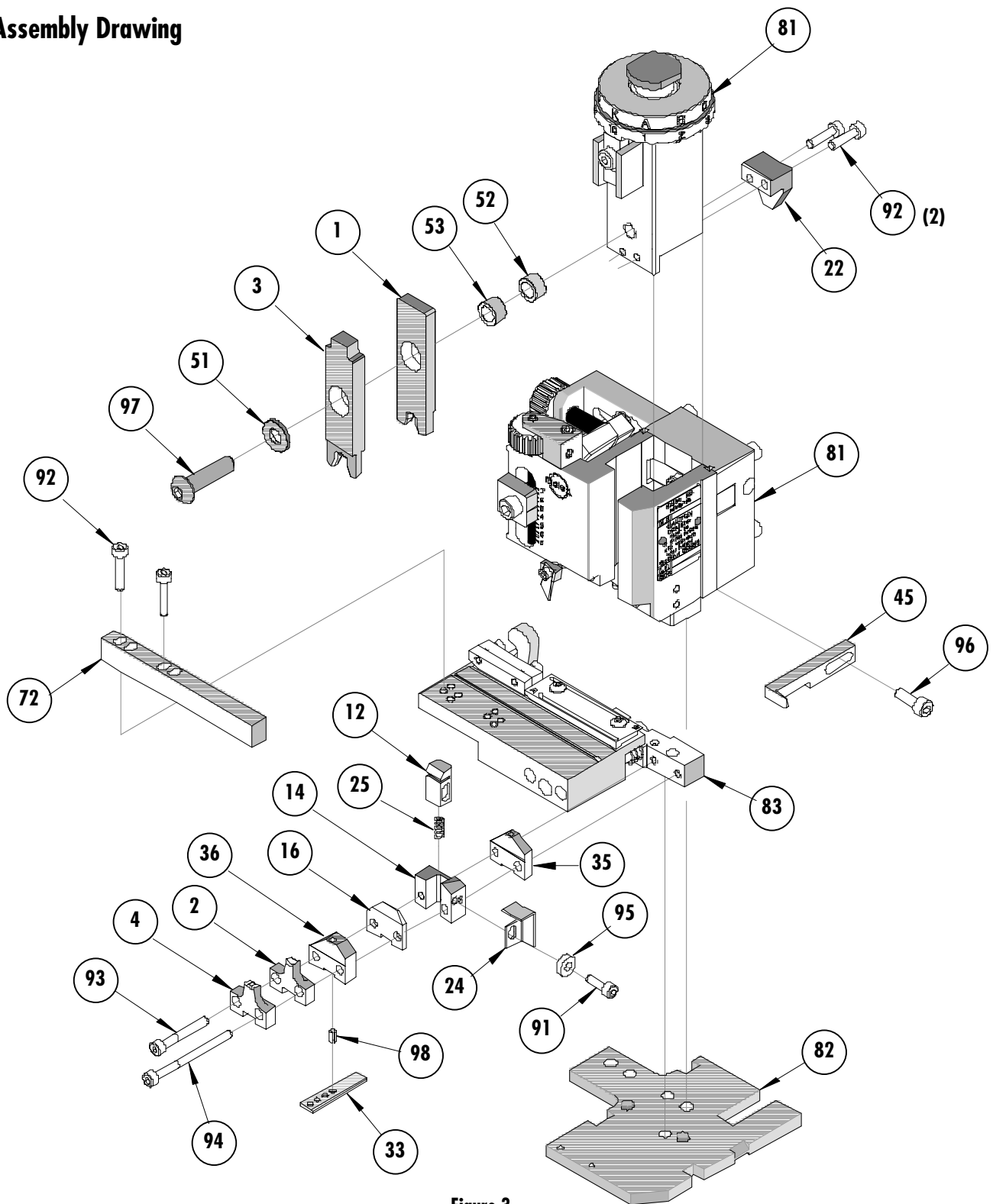


Figure 3

NOTES

1. Molex recommends an extra perishable tooling kit be maintained at your facility.
2. Verify tooling alignment by manually cycling the press with applicator before crimping under power. Check that all screws are tight.
3. Slugs, terminals, dirt, and oil should be kept clear of work area.
4. Wear safety glasses at all times.
5. For recommended maintenance refer to the Mini-Mac Applicator Manual (Document no. 63880-0000).

CAUTION: This applicator should only be used in a press with a shut height of 135.80 mm (5.346"). Tooling damage could result at a lower setting.

CAUTION: To prevent injury, never operate this applicator without the guards supplied with the press or wire-processing machine in place. Reference the press or wire processing manufacturer's instruction manual.

CAUTION: Molex crimp specifications are valid only when used with Molex terminals, applicators and tooling.

Contact Information

For more information on Molex application tooling please contact Molex at 1-800-786-6539.

Molex Application Tooling Group

1150 E. Diehl Road
Naperville, IL 60563
Tel: (630) 969-4550
Fax: (630) 505-0049

Visit our Web site at <http://www.molex.com>