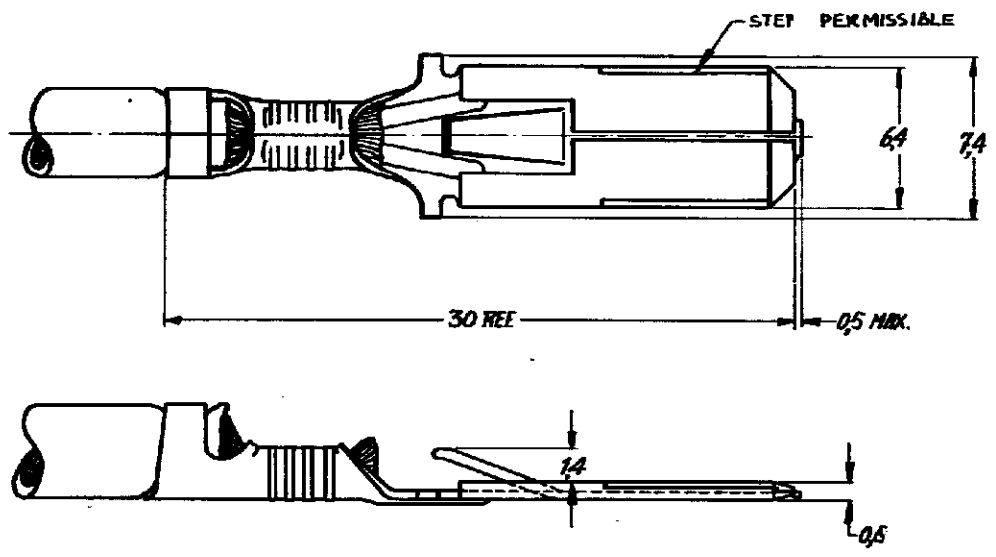


NUMBER C-160450-E

DRAWING MADE IN AMERICAN PROJECTION

REVISIONS

P	LTR	DESCRIPTION MODIFICATIONS	DATE	DWN	APVD
C1		REVISED PER ECO-10-000445	18JAN10	KK	HMR



- 1 FOR USE ON STANDARD APPLICATORS (RIGHT-LEFT FEED)
- 2 FOR USE ON MINIATURE APPLICATORS (LEFT-RIGHT FEED ; AMP-O-MATOR APPLICATORS)
- 3 OBSOLETE PARTS: OBSOLETE CIS STREAMLINING PER D.RENAUD/D.SINISI

DIMENSIONS IN IN. DO NOT SCALE PRINT

160450-6	PHOSPHOR BR	TIN-LEAD	H2
<del>160450-5</del>	<del>BRASS</del>	<del>SILVER</del>	<del>1</del>
160450-4	BRASS	NONE	1
160450-3	PHOSPHOR BR.	SILVER	1
160450-2	PHOSPHOR BR.	TIN	H2
160450-1	PHOSPHOR BR.	—	1
ORDER NO.	MATERIAL	PLATING	WIRE
DR <i>[Signature]</i> 12-2-68	DATE	DE <i>[Signature]</i> 12/2/68	DATE
CHK	DATE	APP <i>[Signature]</i> 12/2/68	DATE

**CUSTOMER COPY FOR REFERENCE ONLY**

©1968 BY AMP-HOLLAND N.V. ALL RIGHTS RESERVED A-MP PRODUCTS COVERED BY PATENTS AND/OR PATENTS PENDING.

**AMP**  
AMP-HOLLAND N.V.  
HERTOGENBOSCH  
HOLLAND

WIRE RANGE 08-25 mm <sup>2</sup>	INSUL. RANGE 3-4 mm	FIRST USED
SCALE 4:1	LOC H	SIZE A
NO C-160450-E		REV C1
NAME 250 SERIES FASTIN-FASTON TAB		