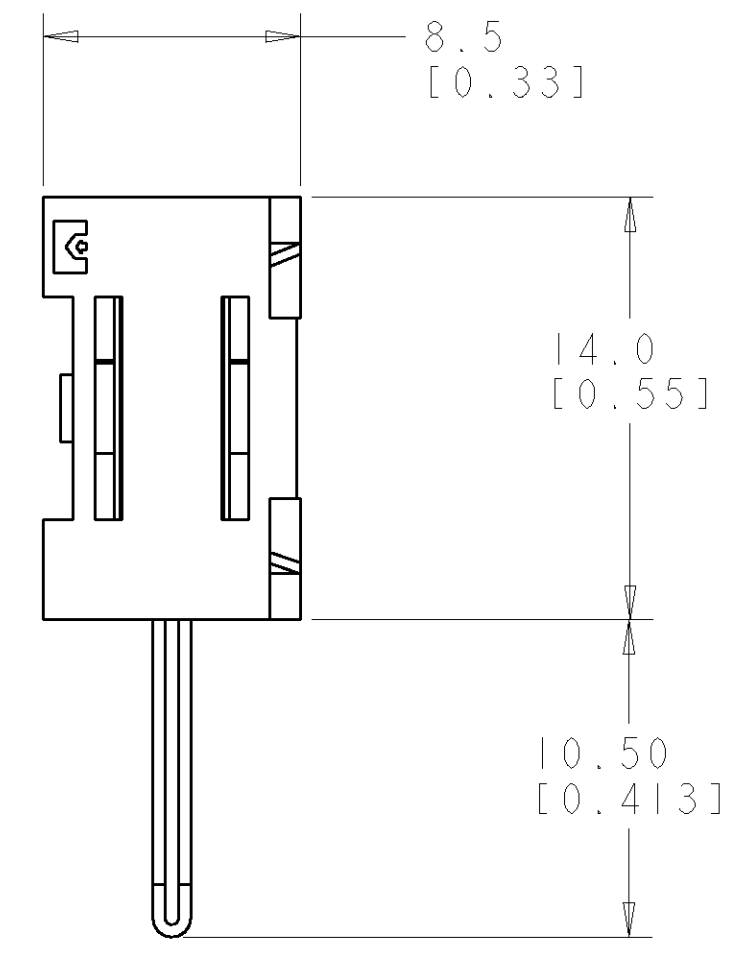
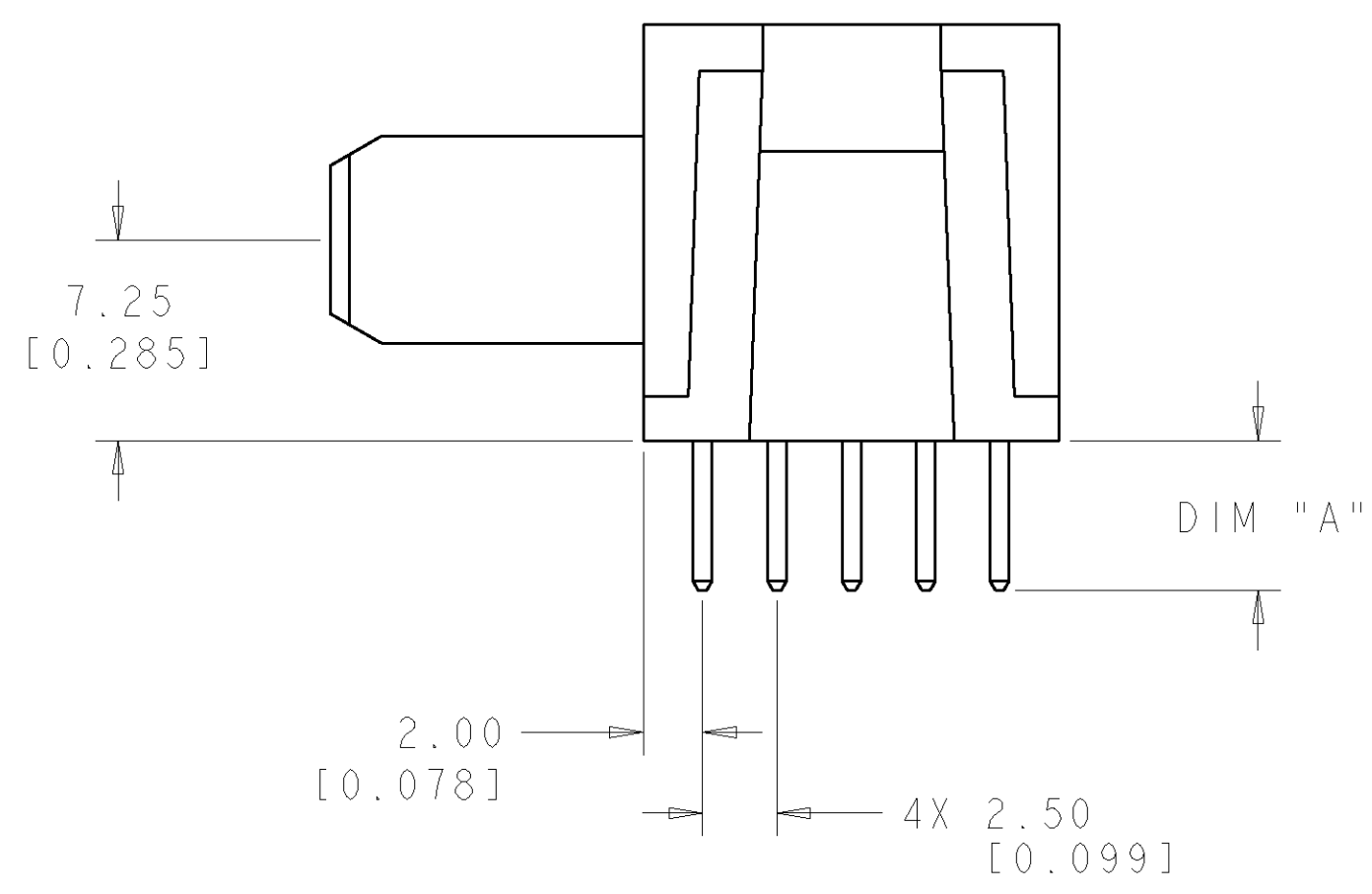
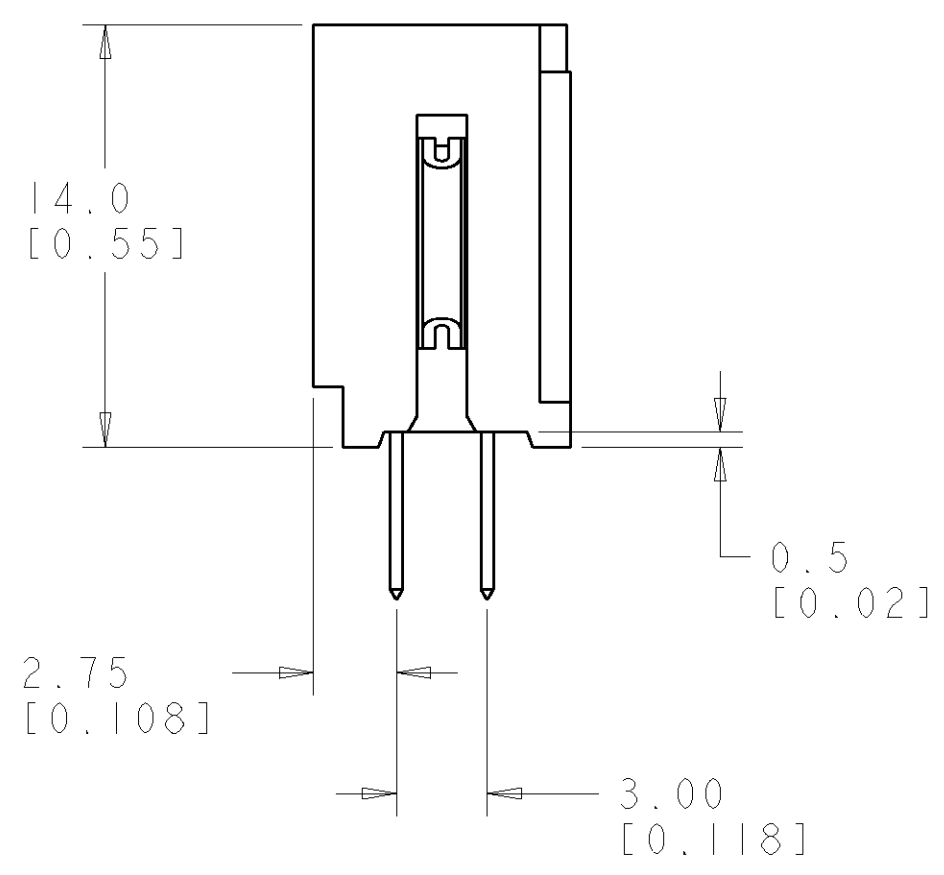
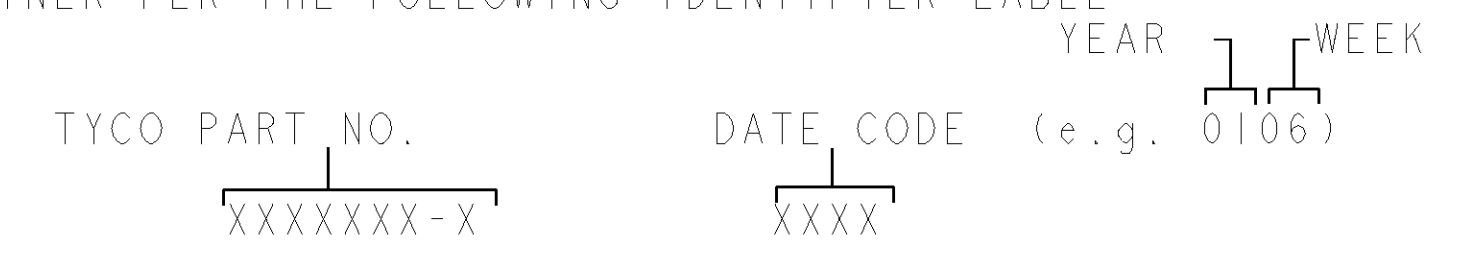


THIS DRAWING IS UNPUBLISHED. RELEASED FOR PUBLICATION 20  
 © COPYRIGHT 20 BY TYCO ELECTRONICS CORPORATION. ALL RIGHTS RESERVED.

LOC	DIST	REVISIONS					
GP	00	P	LTR	DESCRIPTION	DATE	DWN	APVD
			A	RELEASED	09JAN2007	RG	PD



- PART NUMBER CHANGES AND OR DESIGN CHANGES AFFECTING ITEM INTERCHANGEABILITY REQUIRE PRIOR TYCO APPROVAL AND AUTHORIZATION BY REVISION TO THIS DRAWING.
- MATERIAL:  
 INSULATORS - THERMOPLASTIC, GLASS REINFORCED, COLOR: BLACK  
 UL94V-0 FLAMMABILITY RATED.  
 POWER CONTACTS - COPPER ALLOY.
- FINISH:  
 CONTACTS - GOLD PLATE 0.76 MICROMETERS MIN. THK., OVER NICKEL  
 1.27 MICROMETERS MIN. THK  
 SOLDER TAILS, TIN 3.05 MICROMETERS MIN. THK. OVER NICKEL  
 1.27 MICROMETERS MIN. THK
- ITEMS PROVIDED TO THIS SPECIFICATION TO BE PERMANENTLY IDENTIFIED ON THE CONTAINER PER THE FOLLOWING IDENTIFIER LABEL



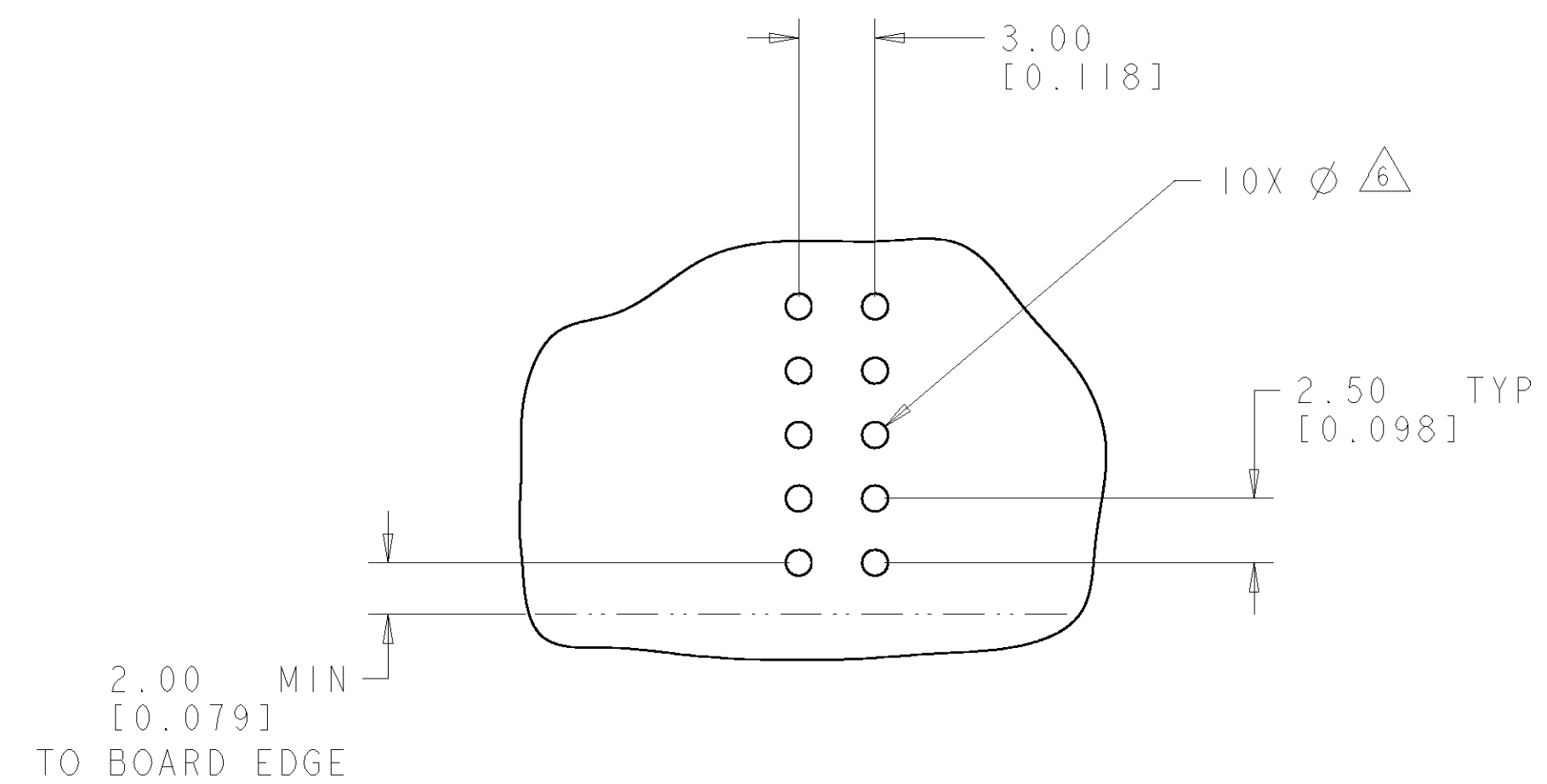
3.56-2.54 [.140-.100]	1926312-2
5.08-4.06 [.200-.160]	1926312-1
DIM "A"	PART NUMBER

<small>THIS DRAWING IS A CONTROLLED DOCUMENT FOR TYCO ELECTRONICS CORPORATION. IT IS SUBJECT TO CHANGE AND THE CONTROLLING ENGINEERING ORGANIZATION SHOULD BE CONTACTED FOR THE LATEST REVISION.</small>		DWN R. GRZYBOWSKI 09JAN2007 CHK P. DAMATO 09JAN2007 APVD S. FLICKINGER 09JAN2007	<b>tyco</b> Tyco Electronics <b>Electronics</b> Harrisburg, PA 17105-3608
DIMENSIONS: mm 	TOLERANCES UNLESS OTHERWISE SPECIFIED: 0 PLC ±.3 1 PLC ±.15 2 PLC ±.15 3 PLC ±.15 4 PLC ±.15 ANGLES ±.5 FINISH	PRODUCT SPEC - APPLICATION SPEC - WEIGHT -	NAME PIN CONNECTOR, RIGHT ANGLE SOLDER, FP151 FLATPAQ
MATERIAL -		CUSTOMER DRAWING	SIZE A2 CAGE CODE 00779 DRAWING NO. G-1926312 RESTRICTED TO -
AMP 1471-9 REV 31MAR2000		SCALE 4:1	SHEET 1 OF 3 REV A

ELCON FLATPAQ

THIS DRAWING IS UNPUBLISHED. RELEASED FOR PUBLICATION 20  
 © COPYRIGHT 20 BY TYCO ELECTRONICS CORPORATION. ALL RIGHTS RESERVED.

LOC	DIST	REVISIONS					
		P	LTR	DESCRIPTION	DATE	DWN	APVD
GP	00	-	-	SEE SHEET 1	-	-	-



PRINTED CIRCUIT BOARD LAYOUT  
 COMPONENT SIDE

CONNECTOR	CATALOG MODULE #	QTY	SIZE NO.	CONTACT QTY	MATING PIN	MAX. CURRENT (PER CONTACT)	CONTACT SPACING	VOLTAGE RATING
PIN	FPI51	1	8	1	1.25 X 7.00 [.049 X .276]	35 amps	7.50 [.2953]	250

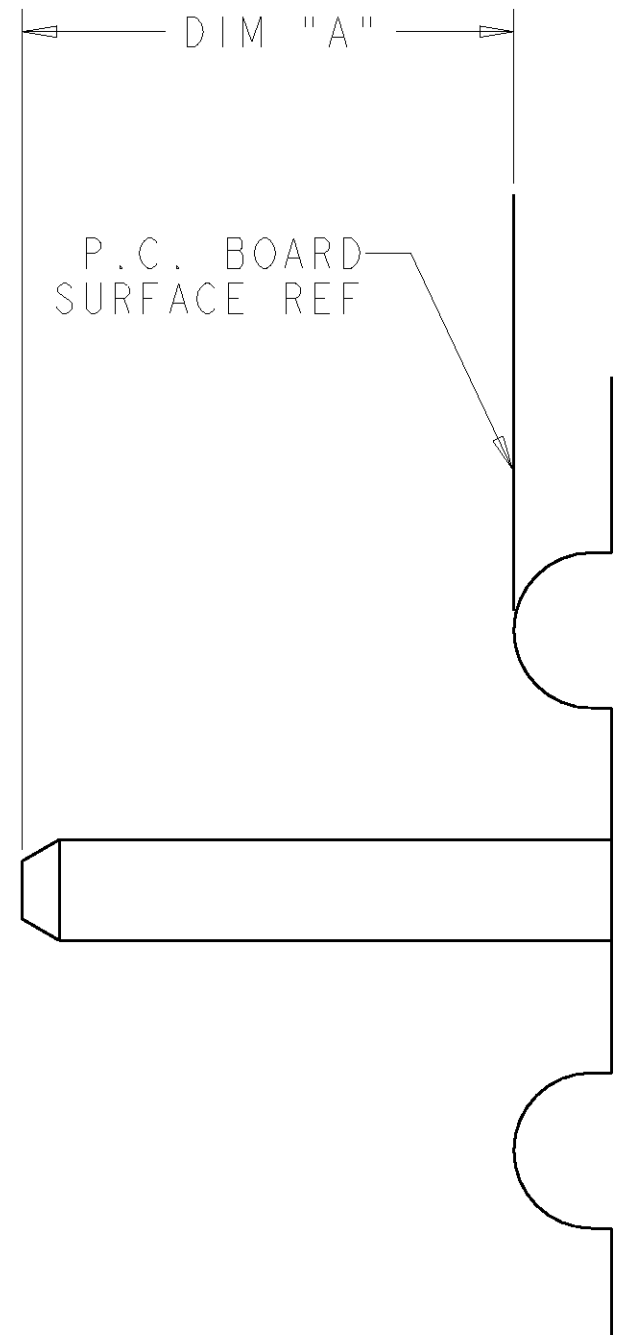
THIS DRAWING IS A CONTROLLED DOCUMENT FOR TYCO ELECTRONICS CORPORATION. IT IS SUBJECT TO CHANGE AND THE CONTROLLING ENGINEERING ORGANIZATION SHOULD BE CONTACTED FOR THE LATEST REVISION.

DWN	R. GRZYBOWSKI	09 JAN 2007	Tyco Electronics Harrisburg, PA 17105-3608			
CHK	P. DAMATO	09 JAN 2007				
APVD	S. FLICKINGER	09 JAN 2007				
NAME	PIN CONNECTOR, RIGHT ANGLE SOLDER, FPI51 FLATPAQ					
DIMENSIONS:	mm	TOLERANCES UNLESS OTHERWISE SPECIFIED:	SIZE	CAGE CODE	DRAWING NO.	RESTRICTED TO
		0 PLC ±.3	A2	00779	G-1926312	-
		1 PLC ±.3	SCALE	4:1	SHEET	2 OF 3
		2 PLC ±.15			REV	A
		3 PLC ±.5	CUSTOMER DRAWING			
		4 PLC ±.5				
MATERIAL		ANGLES ±.5				
		FINISH				

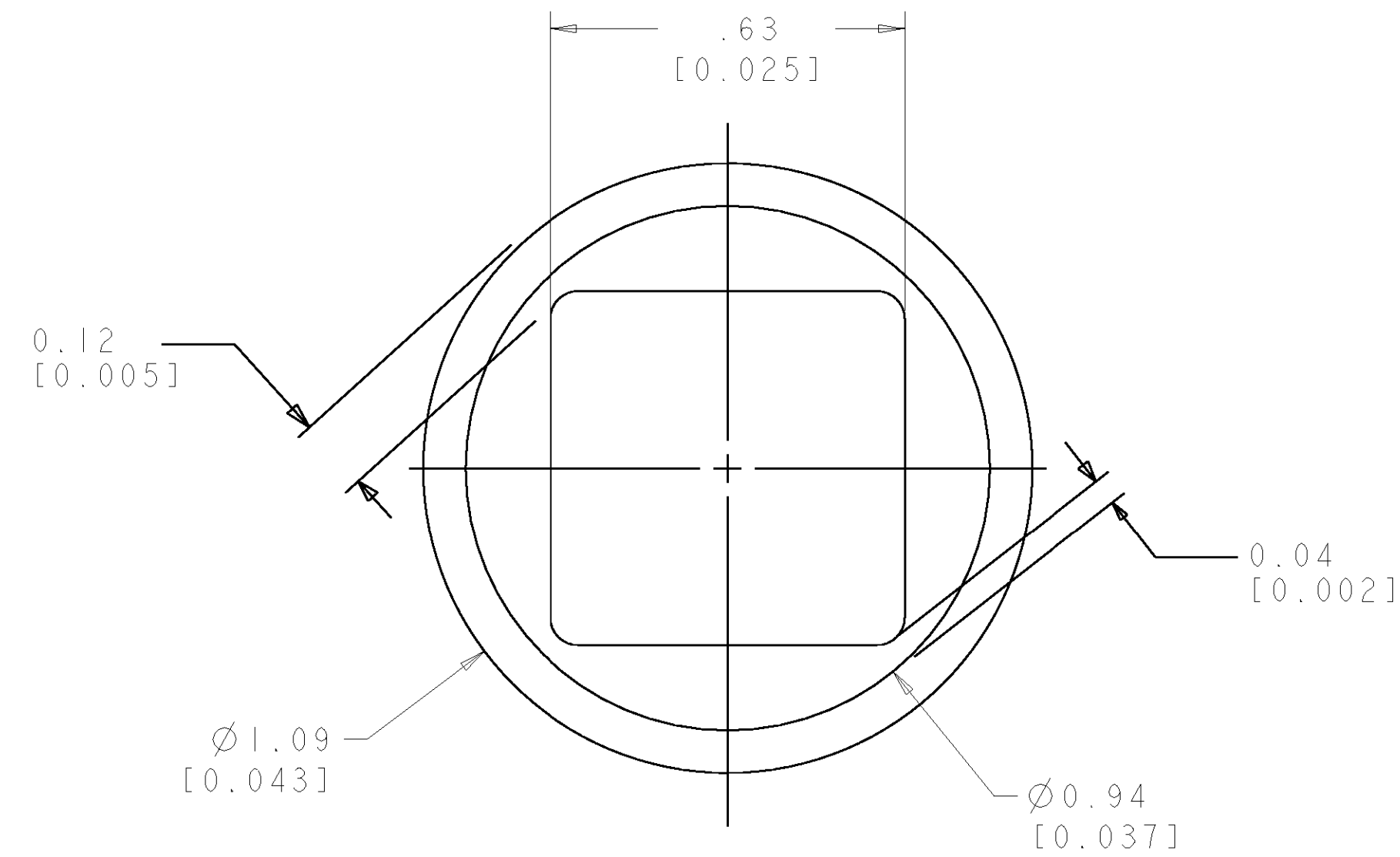
ELCON FLATPAQ

THIS DRAWING IS UNPUBLISHED. RELEASED FOR PUBLICATION 20  
 © COPYRIGHT 20 BY TYCO ELECTRONICS CORPORATION. ALL RIGHTS RESERVED.

LOC	DIST	REVISIONS			
P	LTR	DESCRIPTION	DATE	DWN	APVD
GP	00	-	SEE SHEET 1	-	-



5. SOLDER PIN DETAIL  
SCALE 10:1



**6. SOLDER TERMINATION AREA**  
 SCALE 40:1  
 RECOMMENDED PRINTED CIRCUIT SOLDER HOLE  
 FINISHED HOLE: Ø1.02 [0.040] ±.08 [0.003]  
 DRILLED HOLE: Ø1.15 [0.0453] ±.013 [0.0005]  
 COPPER PLATE: .025 [0.0010] MIN  
 TIN PLATE: .008 [0.0003] MIN. (PER SURFACE)

ELCON FLATPAQ

<small>THIS DRAWING IS A CONTROLLED DOCUMENT FOR TYCO ELECTRONICS CORPORATION          IT IS SUBJECT TO CHANGE AND THE CONTROLLING ENGINEERING ORGANIZATION          SHOULD BE CONTACTED FOR THE LATEST REVISION.</small>		DWN R. GRZYBOWSKI 09 JAN 2007 CHK P. DAMATO 09 JAN 2007 APVD S. FLICKINGER 09 JAN 2007	<b>tyco</b> Tyco Electronics <b>Electronics</b> Harrisburg, PA 17105-3608
DIMENSIONS: mm	TOLERANCES UNLESS OTHERWISE SPECIFIED: 0 PLC ±.3 1 PLC ±.3 2 PLC ±.15 3 PLC ±.15 4 PLC ±.15 ANGLES ±.5 FINISH	NAME PRODUCT SPEC APPLICATION SPEC WEIGHT	PIN CONNECTOR, RIGHT ANGLE SOLDER, FP151 FLATPAQ
MATERIAL	-	CUSTOMER DRAWING	SIZE A2 CAGE CODE 00779 DRAWING NO. C-1926312 RESTRICTED TO -
		SCALE 4:1	SHEET 3 OF 3 REV A