

Type ANT-I Automotive Blade Fuse Tiny (Micro2) – LED Indicating



www.optifuse.com (619) 593-5050

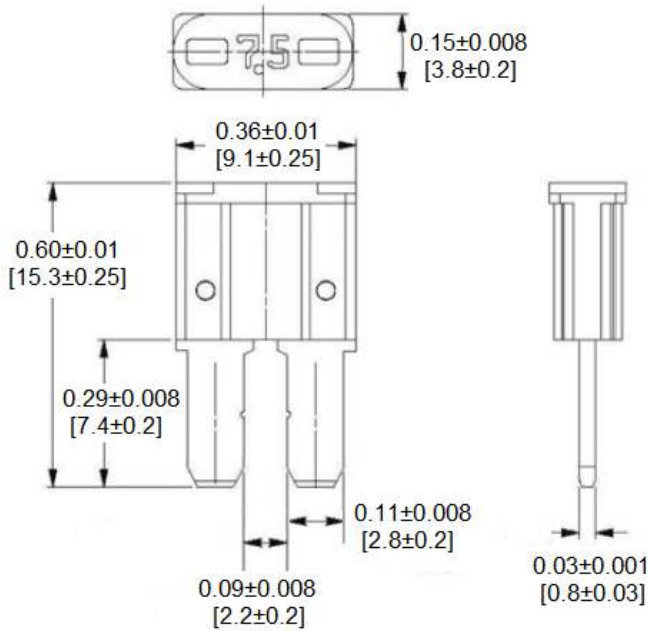
Specifications:

- Voltage: 32V DC
- Amperage: 3A, 4A, 5A, 7.5A, 10A, 15A, 20A, 25A, 30A
- Body: PA 66
- Indicating LED when fuse is opened
- Terminals: Zinc Alloy
- Interrupting Rating: 1000A @ 32 VDC

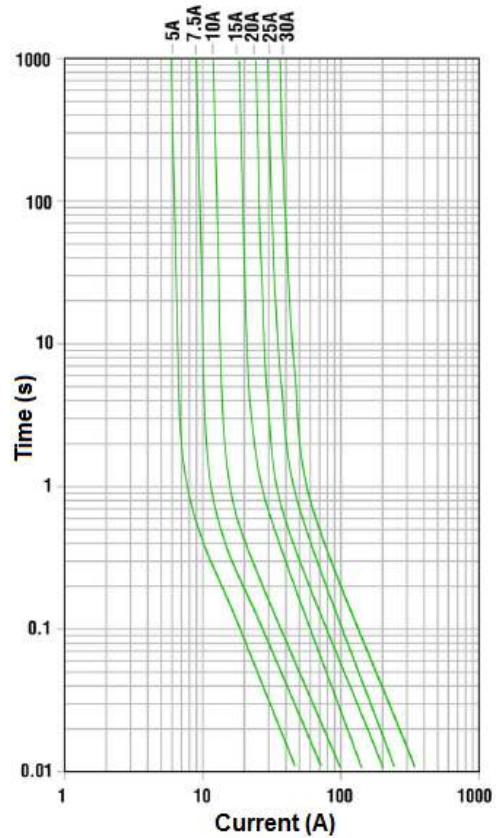
Part Number	Amperage	Body Color	Nominal Resistance Cold Ohms
ANT-I-3A	3A	Violet	0.31
ANT-I-4A	4A	Pink	0.023
ANT-I-5A	5A	Tan	0.017
ANT-I-7.5A	7.5A	Brown	0.010
ANT-I-10A	10A	Red	0.0077
ANT-I-15A	15A	Blue	0.0049
ANT-I-20A	20A	Yellow	0.0035
ANT-I-25A	25A	Clear	0.0026
ANT-I-30A	30A	Green	0.0021

Time Characteristics:			
% of Rated Current	Current Rating	Min Hold Time	Max Hold Time
110%	3-30A	100h	
135%	5-30A	750ms	120s
160%	3-30A	300ms	50s
200%	3-30A	150ms	5s
350%	5-30A	40ms	500ms

Mechanical Dimensions: Inches [mm]



Time Characteristics



	Warning: -Operation beyond the specified maximum ratings or improper use may result in damage and possible electrical arcing and/or flame.
	-Avoid contact of device with chemical solvent. Prolonged contact will damage the device performance.