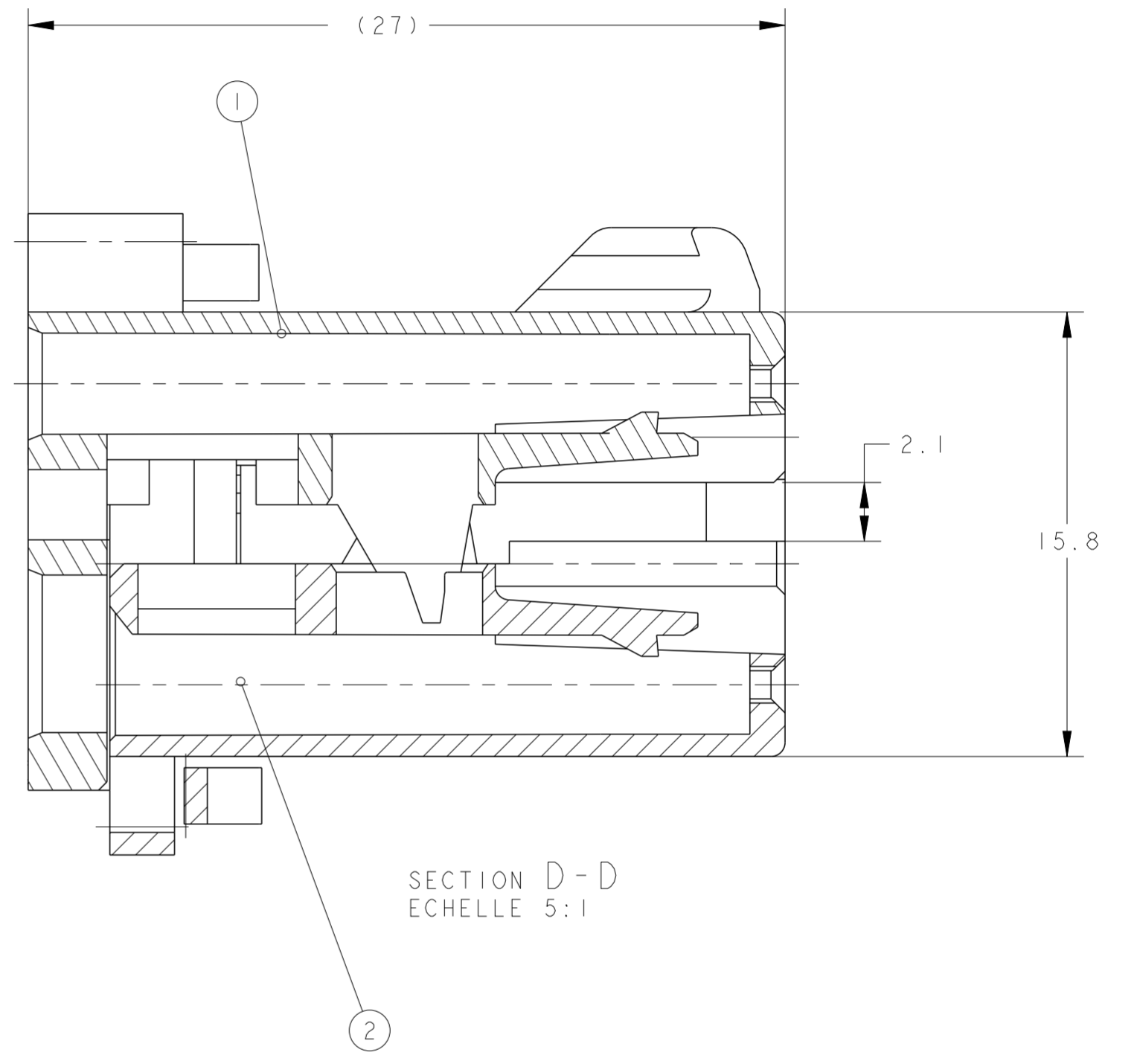
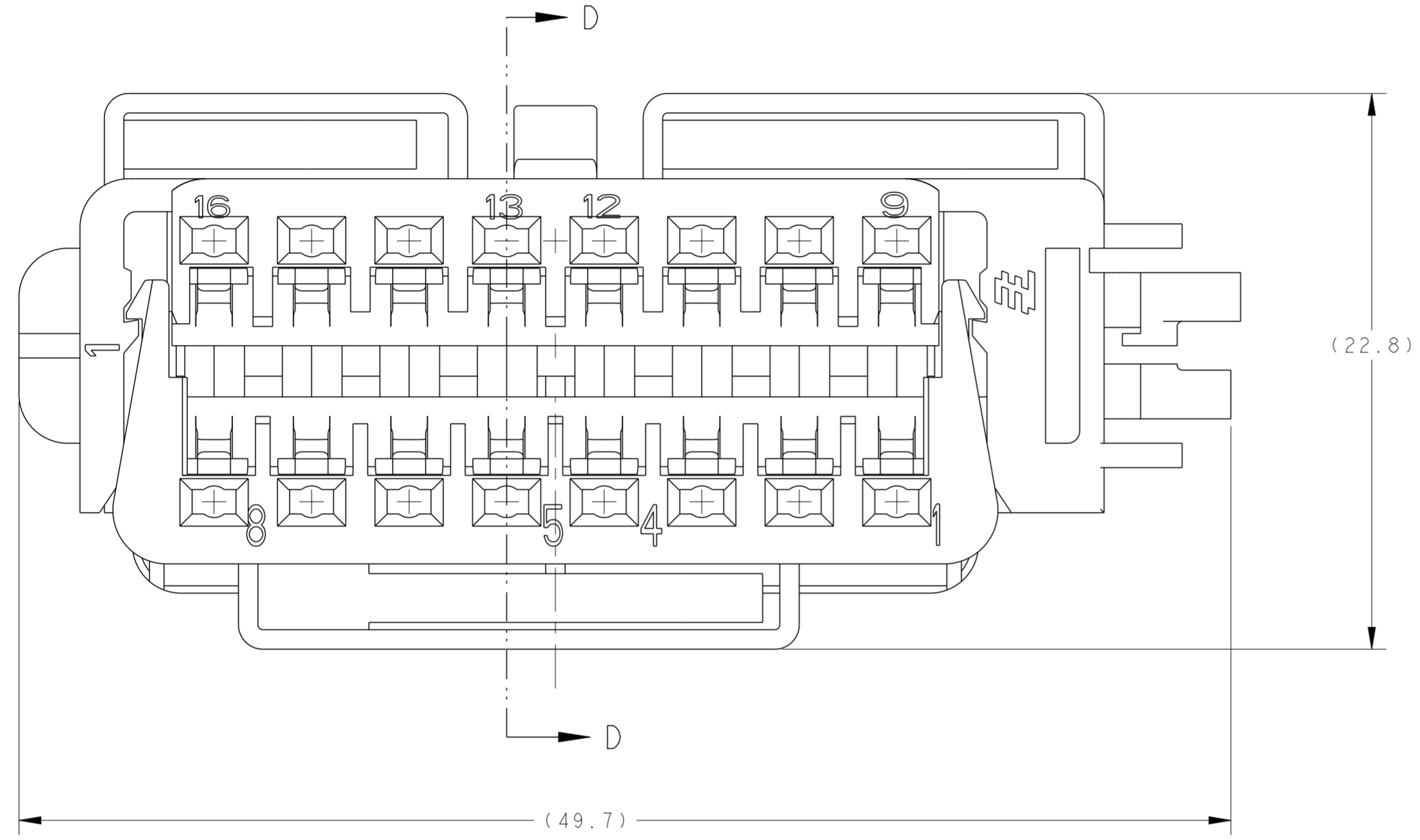



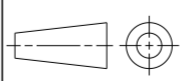
THIS DRAWING IS UNPUBLISHED. RELEASED FOR PUBLICATION
 © COPYRIGHT copyright.dBTe- ALL RIGHTS RESERVED.

REVISIONS					
P	LTR	DESCRIPTION	DATE	DWN	APVD
	A	INITIAL RELEASE	06JUN2018	OP	XR



953490-3 AS SHOWN

1	MAIN HOUSING	PA 6.6	GREEN
2	SECONDARY HOUSING	PBT 20% GF	BLACK
REP	DESIGNATION	MATERIAL	OBS.

THIS DRAWING IS A CONTROLLED DOCUMENT.		DWN O. PAMART 05JUN2018	 TE Connectivity	
DIMENSIONS: mm		CHK X. ROUILLARD 05JUN2018		
TOLERANCES UNLESS OTHERWISE SPECIFIED:		APVD J. DAHER 05JUN2018	NAME 16W DIAGNOSTIC REC. HOUSING ASS Y SICMA TERMINAL OR EQUIVALENT	
		PRODUCT SPEC 108-15129	RESTRICTED TO	
MATERIAL SEE TABLE		APPLICATION SPEC 411-15613	SIZE A2	CAGE CODE 0779
		WEIGHT 8.3g	DRAWING NO 953490	SCALE 1:1
		CUSTOMER DRAWING	SHEET 1	REV A