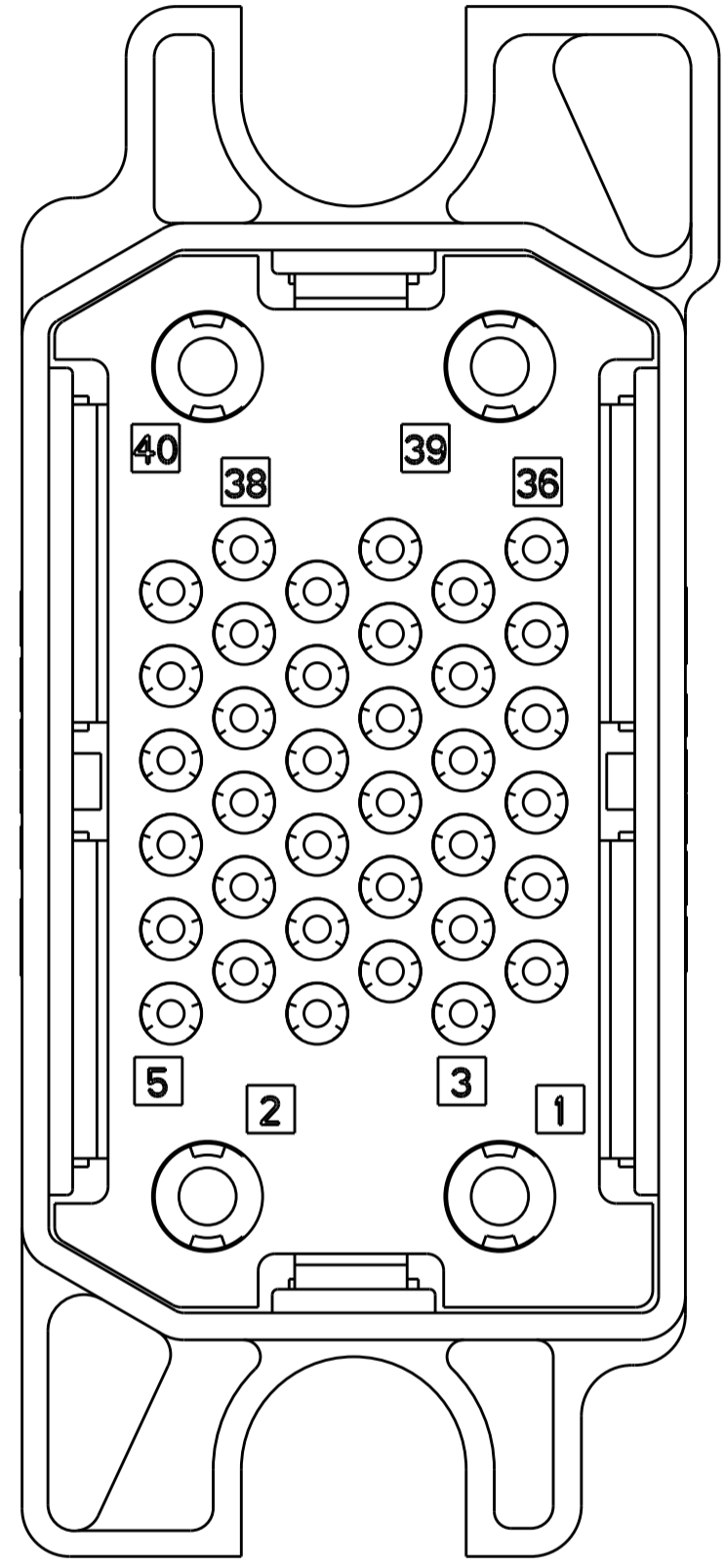
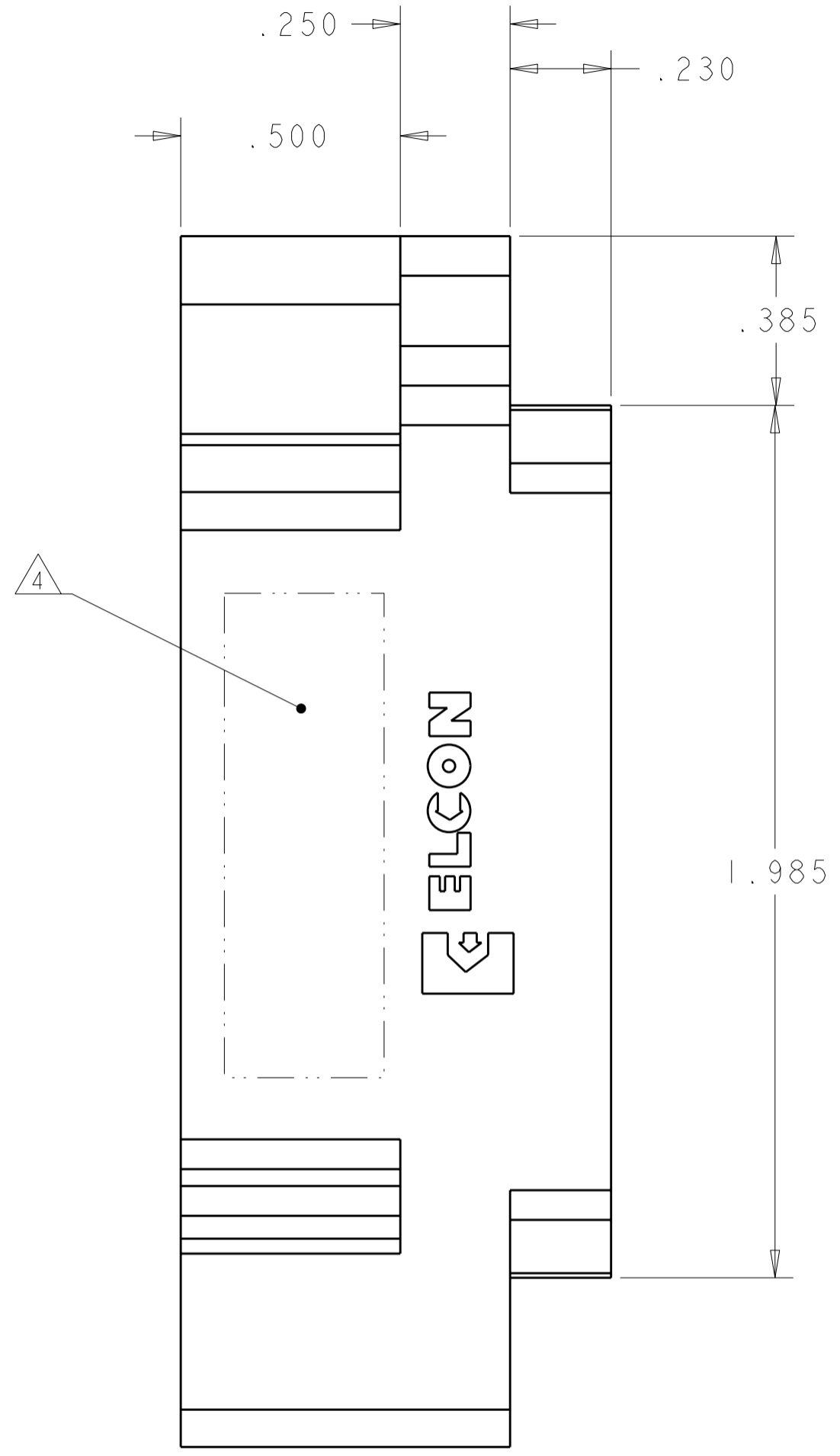
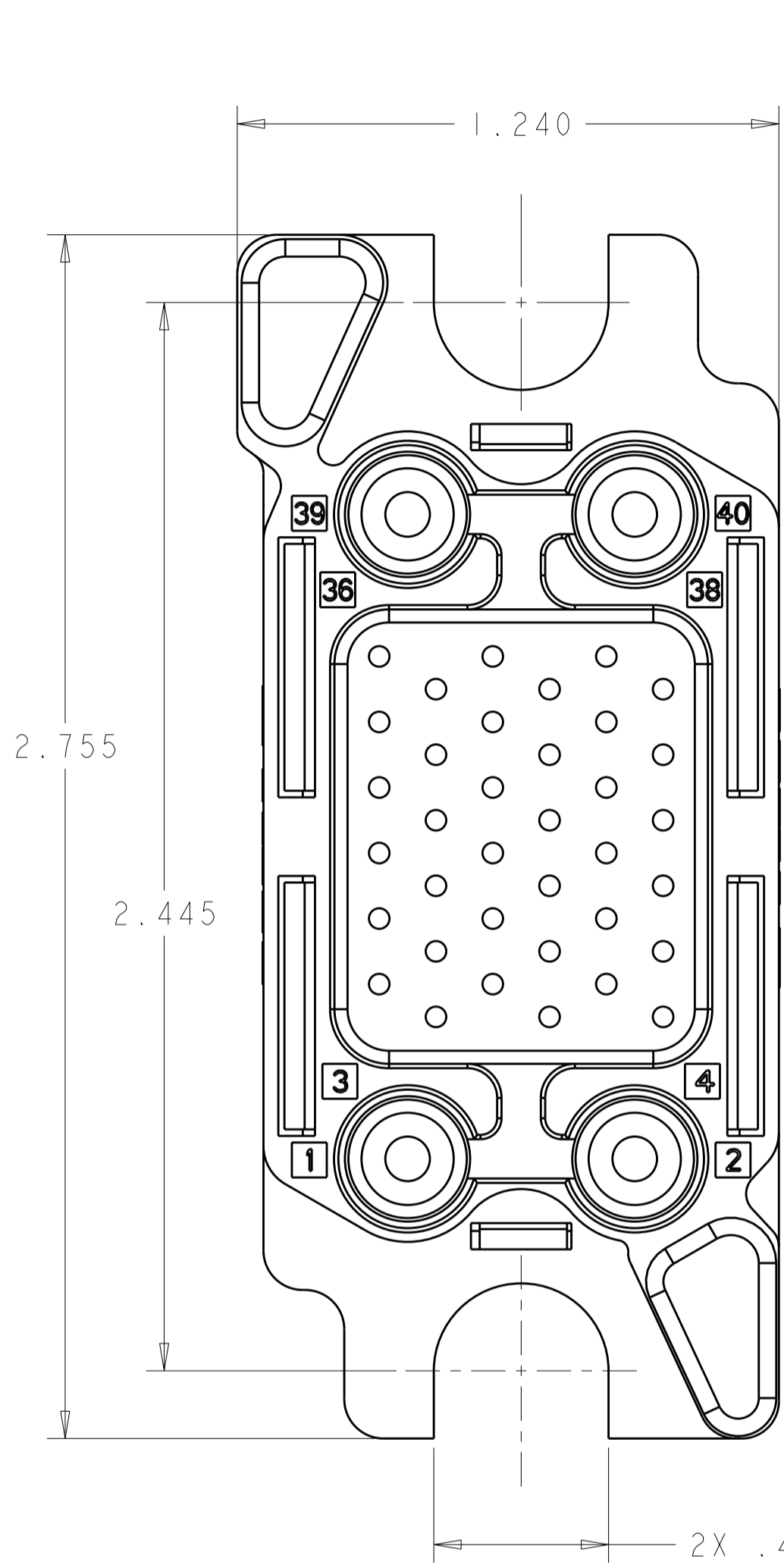


THIS DRAWING IS UNPUBLISHED. RELEASED FOR PUBLICATION 20  
 © COPYRIGHT 20 BY TYCO ELECTRONICS CORPORATION. ALL RIGHTS RESERVED.

LOC	DIST	REVISIONS					
GP	00	P	LTR	DESCRIPTION	DATE	DWN	APVD
			A	RELEASED	09OCT2008	RG	DO



PIN CONTACT SIZE No. 12 (C)  
 PIN CONTACT SIZE No. 20 (B)  
 PIN CONTACT SIZE No. 12 (C)

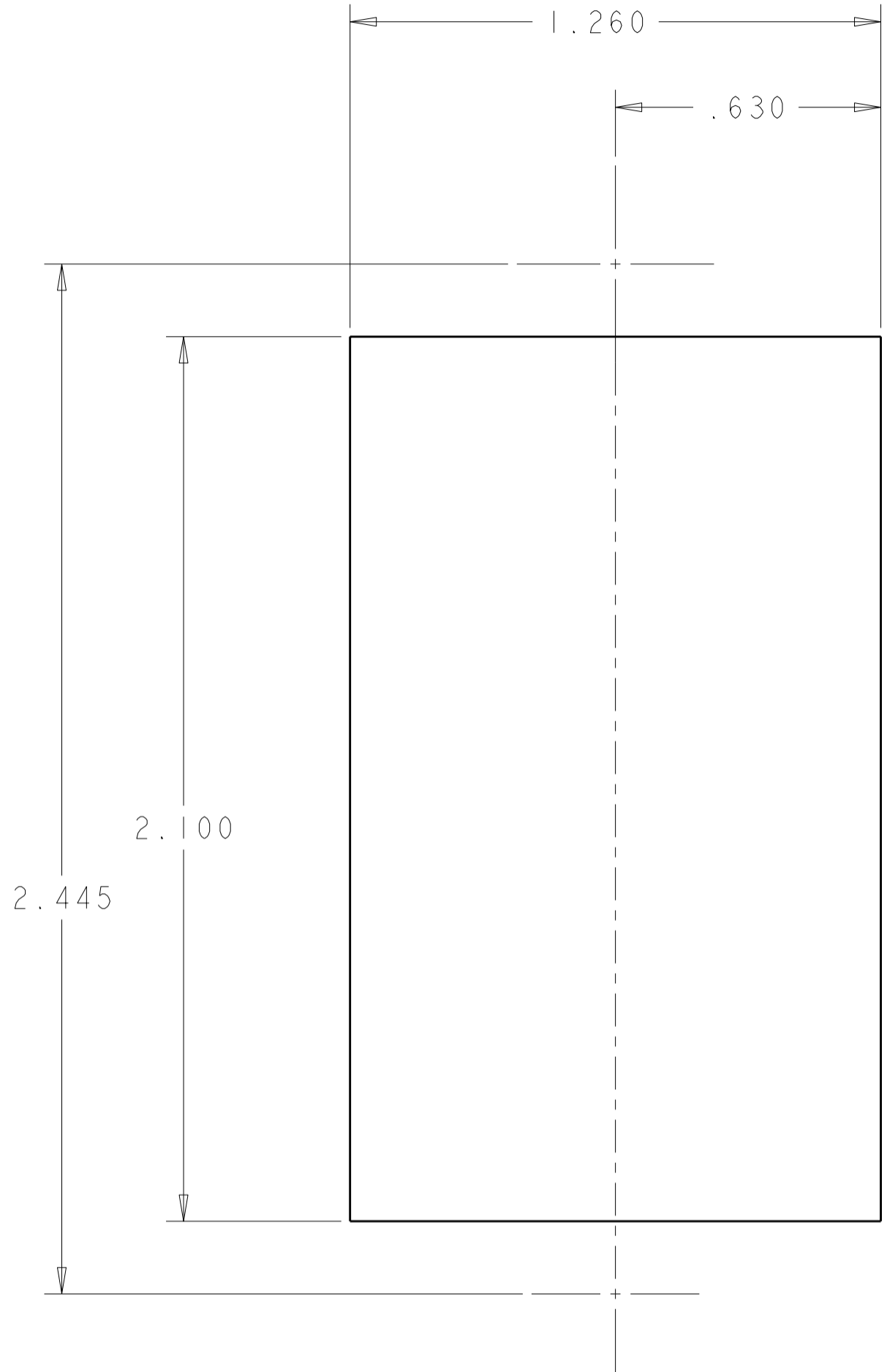
2	1650589-1	SCREW, SHOULDER, M4 X 0.7	D
4	1766195-1	CONTACT, PIN, #12, CRIMP, PREMATE	C
36	1650161-1	CONTACT, PIN, #20, CRIMP, PREMATE	B
1	1648132-2	CONNECTOR, PIN, UNMARKED/NO LABEL	A
-1	PART NUMBER	DESCRIPTION	ITEM

DIMENSIONS: INCHES TOLERANCES UNLESS OTHERWISE SPECIFIED: 0 PLC ± 1 PLC ± 2 PLC ±.02 3 PLC ±.010 4 PLC ± ANGLES ± FINISH		DWN R. GRZYBOWSKI 9SEPT08 CHK D. ORRIS 9SEPT08 APVD M. PERCHERKE 9SEPT09 PRODUCT SPEC APPLICATION SPEC WEIGHT - CUSTOMER DRAWING	Tyco Electronics Harrisburg, PA 17105-3608 NAME PIN CONNECTOR CRIMP SQUARE DRAWER SIZE CAGE CODE DRAWING NO A200779 C-1926988 RESTRICTED TO - SCALE 3:1 SHEET 1 OF 2 REV A
--	--	--	---

**ELCON SQUARE DRAWER**

THIS DRAWING IS UNPUBLISHED. RELEASED FOR PUBLICATION 20  
 © COPYRIGHT 20 BY TYCO ELECTRONICS CORPORATION. ALL RIGHTS RESERVED.

LOC	DIST	REVISIONS					
GP	00	P	LTR	DESCRIPTION	DATE	DWN	APVD
		-		SEE SHEET 1			



SUGGESTED PANEL CUTOUT  
 VIEWED FROM CONNECTOR MOUNTING SIDE

1. PART NUMBER CHANGES AND OR DESIGN CHANGES AFFECTING THE INTERCHANGEABILITY REQUIRE PRIOR TYCO ELECTRONICS APPROVAL AND AUTHORIZATION BY REVISION TO THIS DRAWING.

2. MATERIAL:  
 INSULATOR: THERMOPLASTIC, GLASS REINFORCED, FLAMMABILITY RATED, COLOR: BLACK  
 PIN CONTACT: COPPER ALLOY  
 RETENTION CLIP: BERYLLIUM COPPER OR STAINLESS STEEL  
 SHOULDER SCREW: STAINLESS STEEL

3. FINISH:  
 PIN CONTACT SIZE 20: GOLD PLATE .000010 MIN THK. OVER NICKEL .000050 MIN THK.  
 PIN CONTACT SIZE 12: SILVER PLATE .000200 MIN THK. OVER NICKEL .000050 MIN THK.

4. ITEMS PROVIDED TO THIS SPECIFICATION TO BE PERMANENTLY IDENTIFIED PER THE FOLLOWING IDENTIFIER:  
 YEAR 1 WEEK 1

TYCO ELECTRONICS P/N \_\_\_\_\_ DATE CODE (e.g. 0216)  
 XXXXXXXX-X \_\_\_\_\_ XXXX

5. CRIMP PIN CONTACTS AND SHOULDER SCREWS (ITEM B, C AND D) SHALL BE PACKAGED SEPARATELY AND PLACED IN THE BOX WITH THE CONN. ASSEMBLY.

**ELCON** SQUARE DRAWER

THIS DRAWING IS A CONTROLLED DOCUMENT FOR TYCO ELECTRONICS CORPORATION. IT IS SUBJECT TO CHANGE AND THE CONTROLLING ENGINEERING ORGANIZATION SHOULD BE CONTACTED FOR THE LATEST REVISION.		DWN R. GRZYBOWSKI 9SEPT08	Tyco Electronics Harrisburg, PA 17105-3608	
DIMENSIONS: INCHES		CHK D. ORRIS 9SEPT08	NAME PIN CONNECTOR CRIMP SQUARE DRAWER	
TOLERANCES UNLESS OTHERWISE SPECIFIED: 0 PLC ± 1 PLC ± 2 PLC ±.02 3 PLC ±.010 4 PLC ± ANGLES ± FINISH		APVD M. PERCHERKE 9SEPT09	RESTRICTED TO	
MATERIAL		PRODUCT SPEC -	SIZE A200779	DRAWING NO. C-1926988
		APPLICATION SPEC -	SCALE 3:1	SHEET 2 OF 2 REV A
		WEIGHT -	CUSTOMER DRAWING	