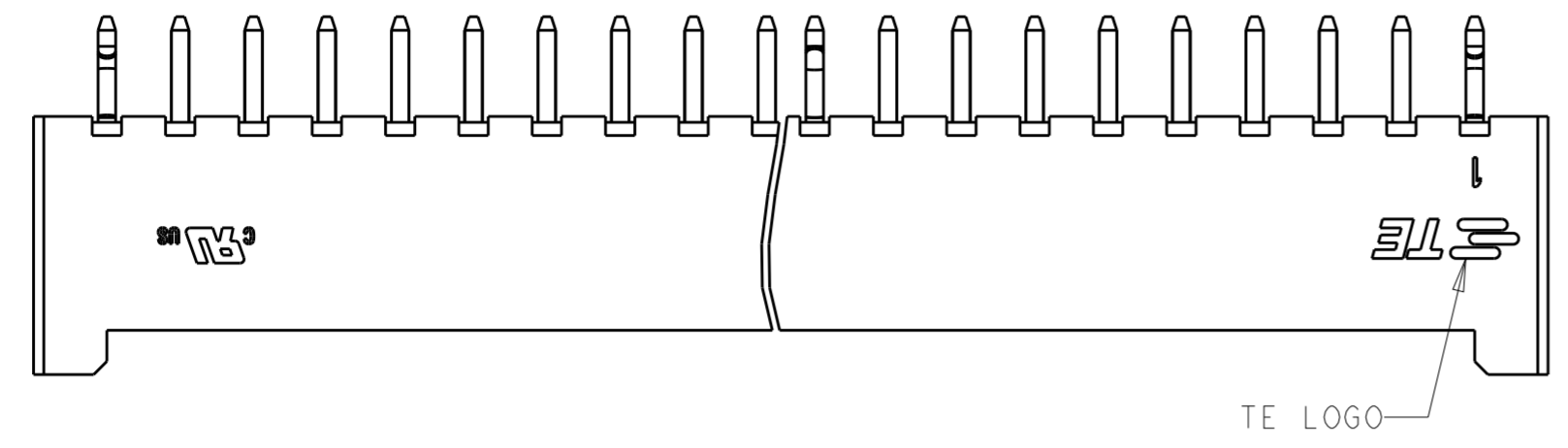
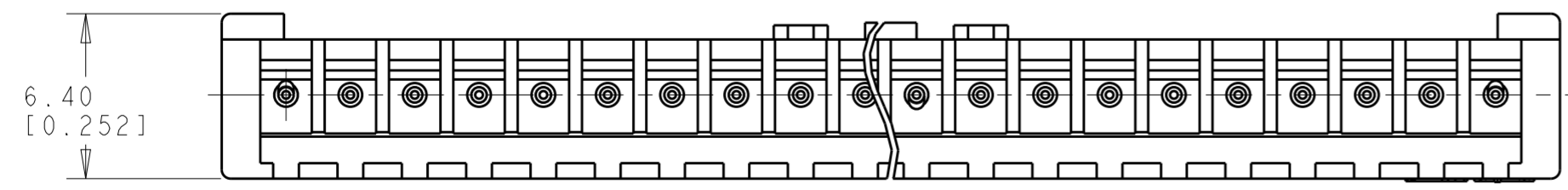
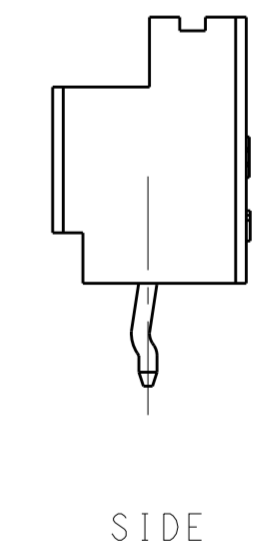
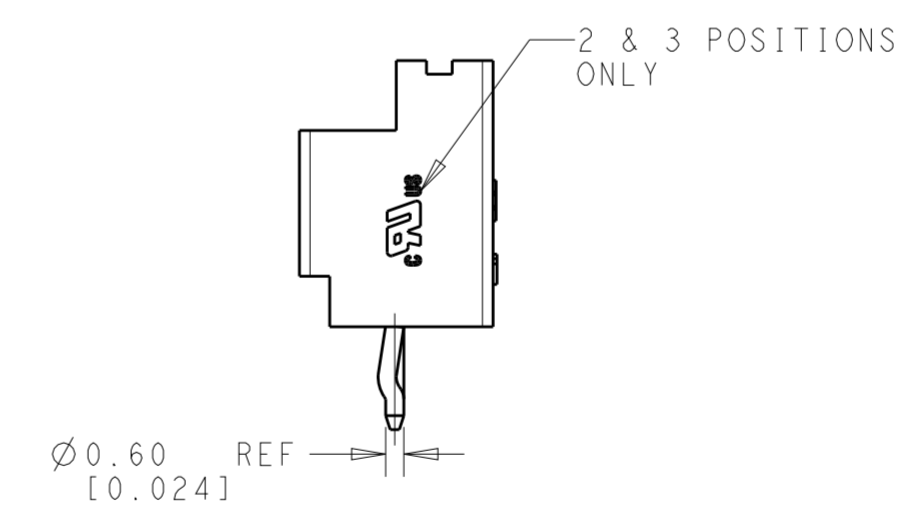
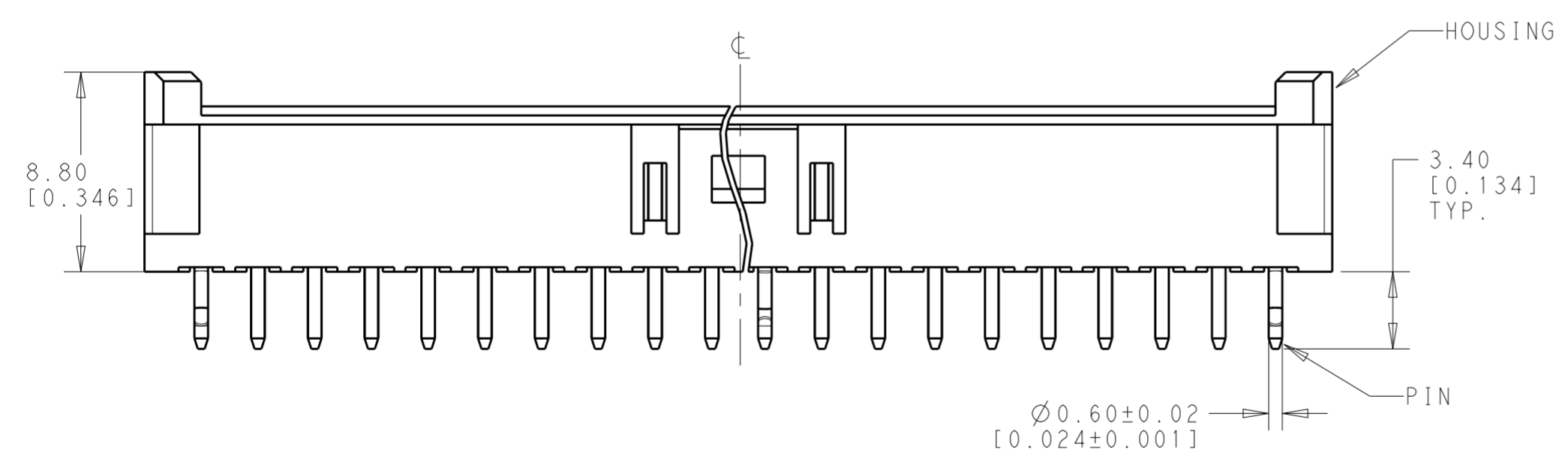
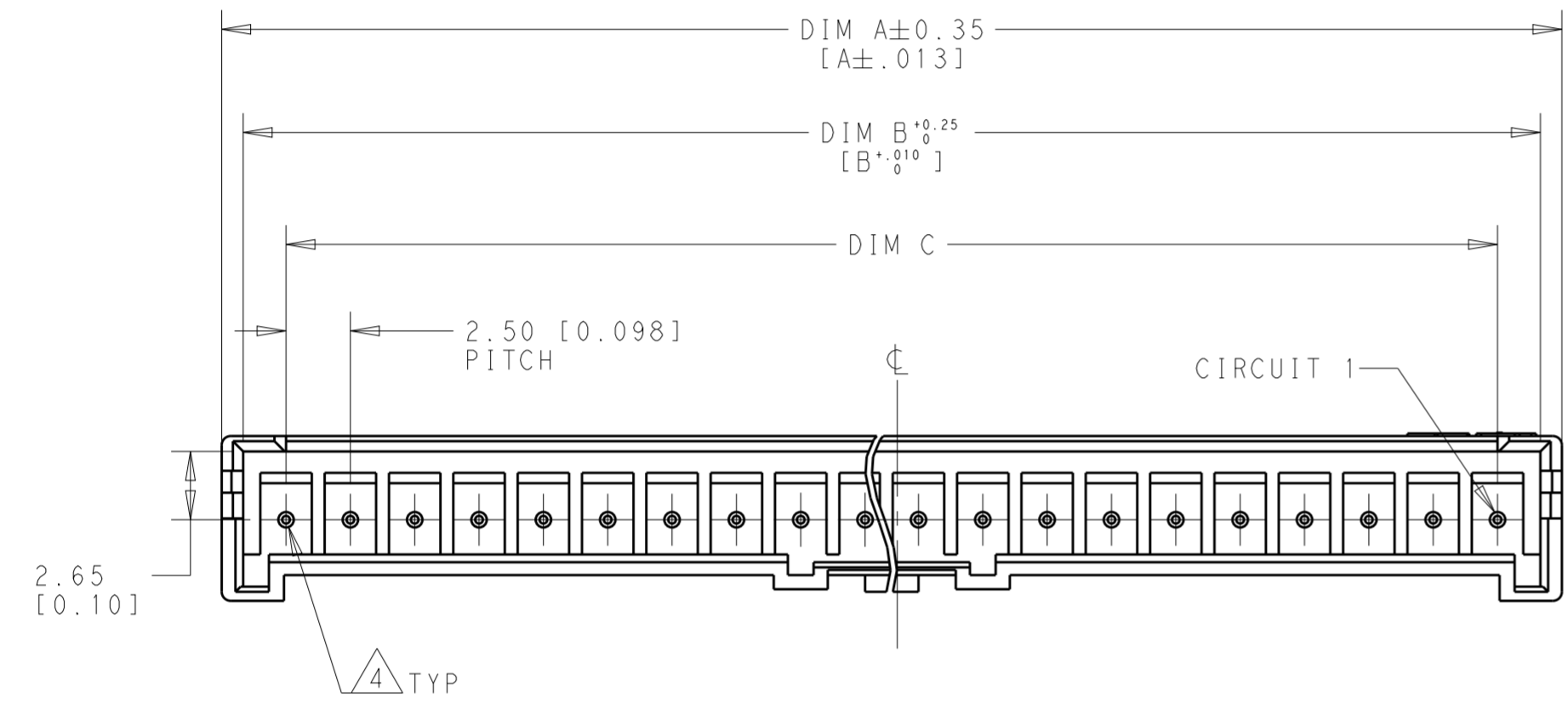


THIS DRAWING IS UNPUBLISHED. RELEASED FOR PUBLICATION 20
 © COPYRIGHT 20 BY - ALL RIGHTS RESERVED.

| REVISIONS | | | | |
|-----------|-----|---------------------------|-----------|---------|
| P | LTR | DESCRIPTION | DATE | APVD |
| | D4 | REVISED PER ECR-17-013791 | 30DEC2017 | W.H D.Z |
| | | | | |
| | | | | |



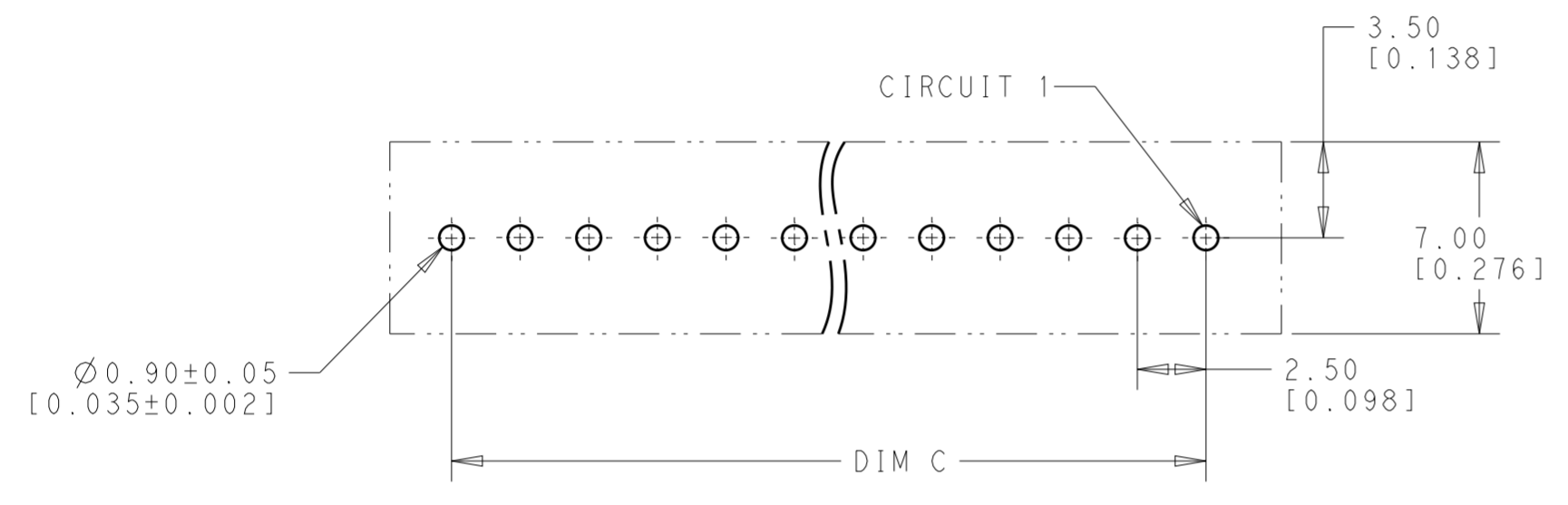
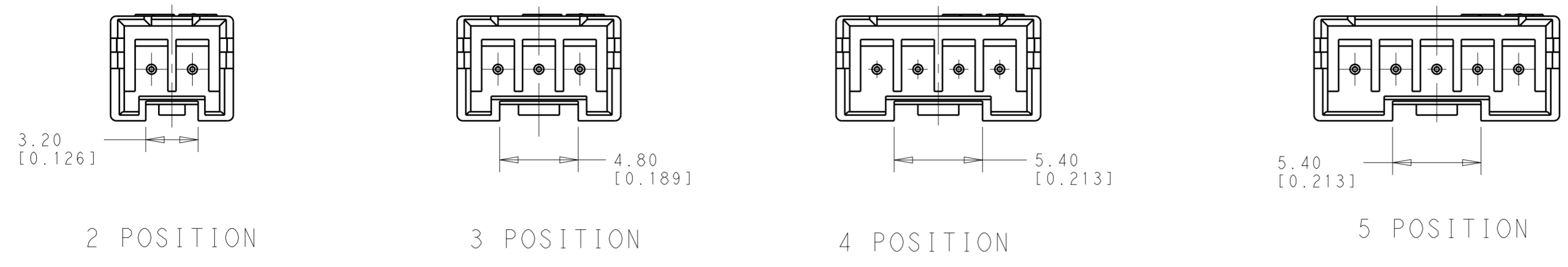
- 1 MATERIAL: HIGH PERFORMANCE RESIN, UL94 VO, COLOR: NATURAL
- 2 PARTS TESTED TO IEC 60695-2-11 AND IS COMPLIANT TO IEC 60335-1.
- 3 HOUSING MATERIAL MEETS MINIMUM GLOW WIRE FLAMMABILITY INDEX OF 850°C PER IEC 60695-2-12 AND MINIMUM GLOW WIRE IGNITION TEMPERATURE OF 775°C PER IEC 60695-2-13.
- 4 POST RETENTION: 20 NEWTONS [4.5 LBF] MIN.



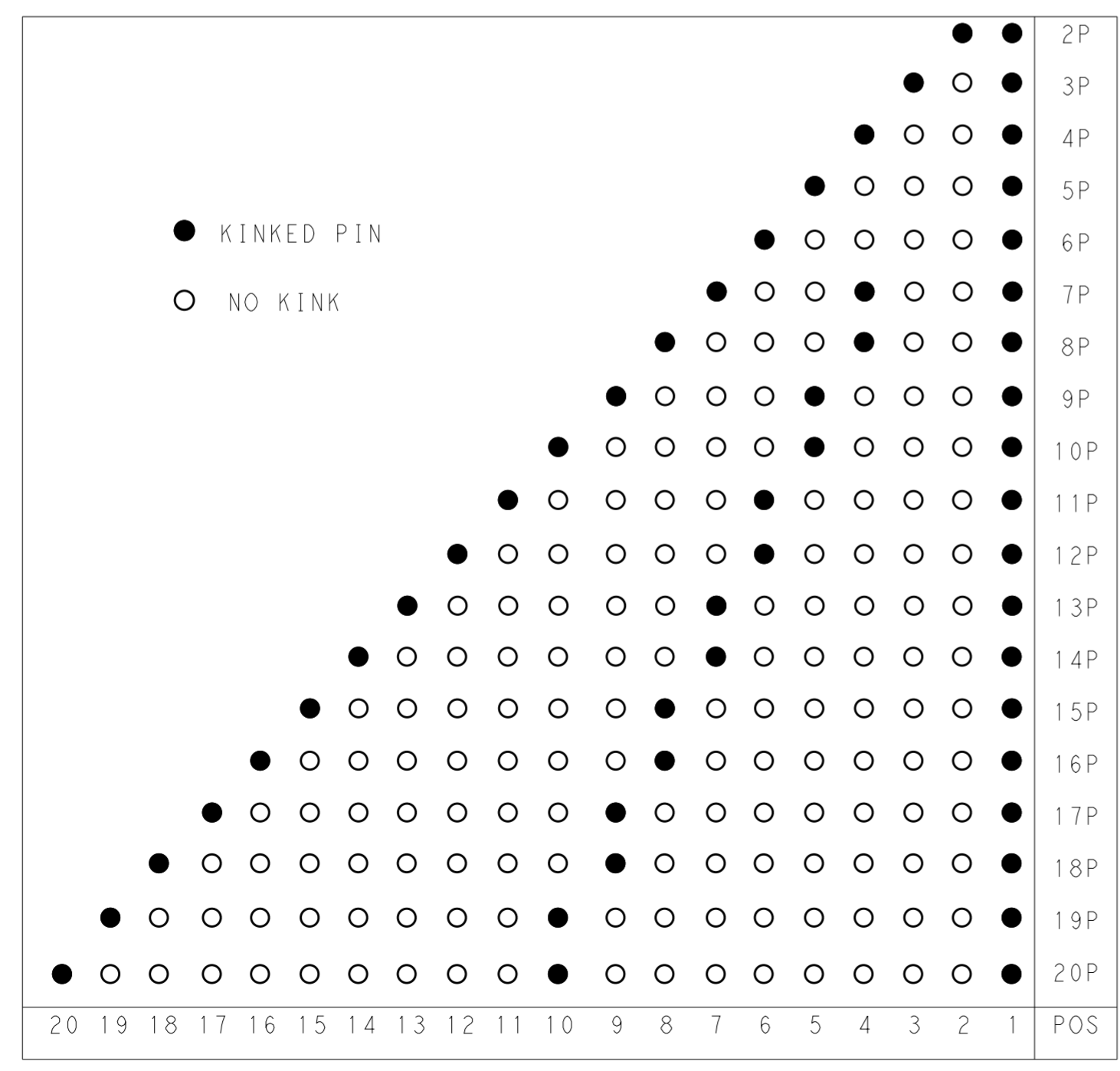
| | | | |
|--|-------------|--------------------------------------|---|
| THIS DRAWING IS A CONTROLLED DOCUMENT. | | DWN 08 JUN 2016 NAGALAKSHMI K | TE Connectivity |
| DIMENSIONS: mm [INCHES] | | CHK 08 JUN 2016 CHIARELLI DAVIDE | |
| TOLERANCES UNLESS OTHERWISE SPECIFIED: | | APVD 08 JUN 2016 CHIARELLI DAVIDE | NAME HEADER ASSEMBLY, VERTICAL, ECONOMY POWER, 2.5mm CENTERLINE, GLOW WIRE |
| 0 PLC ±0.50 | 1 PLC ±0.30 | PRODUCT SPEC 108-2418 4 | SIZE A2 |
| 2 PLC ±0.20 | 3 PLC ±0.10 | APPLICATION SPEC 114-13315 | CAGE CODE 00779 |
| 4 PLC ± | ANGLES ±3° | WEIGHT - | DRAWING NO C-1744439 |
| FINISH | | CUSTOMER DRAWING | RESTRICTED TO |
| | | SCALE 4:1 | SHEET 1 OF 2 |
| | | | REV D4 |

THIS DRAWING IS UNPUBLISHED. RELEASED FOR PUBLICATION 20
 © COPYRIGHT 20 BY - ALL RIGHTS RESERVED.

| REVISIONS | | | | |
|-----------|-----|-------------|------|------|
| P | LTR | DESCRIPTION | DATE | APVD |
| - | - | SEE SHEET 1 | - | - |
| | | | | |
| | | | | |



RECOMMENDED PCB LAYOUT



| | | | | |
|--------------|--------------|--------------|-----|-------------|
| 47.5 [1.870] | 50.83[2.001] | 52.5 [2.067] | 20 | 2-1744439-0 |
| 45.0 [1.772] | 48.33[1.903] | 50.0 [1.968] | 19 | 1-1744439-9 |
| 42.5 [1.673] | 45.83[1.804] | 47.5 [1.870] | 18 | 1-1744439-8 |
| 40.0 [1.575] | 43.33[1.706] | 45.0 [1.772] | 17 | 1-1744439-7 |
| 37.5 [1.476] | 40.83[1.607] | 42.5 [1.673] | 16 | 1-1744439-6 |
| 35.0 [1.378] | 38.33[1.510] | 40.0 [1.575] | 15 | 1-1744439-5 |
| 32.5 [1.280] | 35.83[1.411] | 37.5 [1.476] | 14 | 1-1744439-4 |
| 30.0 [1.181] | 33.33[1.312] | 35.0 [1.378] | 13 | 1-1744439-3 |
| 27.5 [1.083] | 30.83[1.214] | 32.5 [1.280] | 12 | 1-1744439-2 |
| 25.0 [.984] | 28.33[1.115] | 30.0 [1.181] | 11 | 1-1744439-1 |
| 22.5 [.886] | 25.83[1.016] | 27.5 [1.083] | 10 | 1-1744439-0 |
| 20.0 [.787] | 23.33[.919] | 25.0 [.984] | 9 | 1744439-9 |
| 17.5 [.689] | 20.83[.820] | 22.5 [.886] | 8 | 1744439-8 |
| 15.0 [.591] | 18.33[.722] | 20.0 [.787] | 7 | 1744439-7 |
| 12.5 [.492] | 15.83[.623] | 17.5 [.689] | 6 | 1744439-6 |
| 10.0 [.395] | 13.33[.525] | 15.0 [.591] | 5 | 1744439-5 |
| 7.5 [.295] | 10.83[.426] | 12.5 [.492] | 4 | 1744439-4 |
| 5.0 [.197] | 8.33[.328] | 10.0 [.395] | 3 | 1744439-3 |
| 2.5 [.098] | 5.83[.229] | 7.5 [.295] | 2 | 1744439-2 |
| DIM C | DIM B | DIM A | POS | PART NO |

THIS DRAWING IS A CONTROLLED DOCUMENT.

DWN: NAGALAKSHMI K. 08 JUN 2016
 CHK: CHIARELLI DAVIDE 08 JUN 2016
 APVD: CHIARELLI DAVIDE 08 JUN 2016

STE TE Connectivity

NAME: HEADER ASSEMBLY, VERTICAL, ECONOMY POWER, 2.5mm CENTERLINE, GLOW WIRE

PRODUCT SPEC: 108-2418 4
 APPLICATION SPEC: 114-13315

MATERIAL: -
 FINISH: -

WEIGHT: -

SIZE: A2 CAGE CODE: 00779 DRAWING NO: C-1744439 RESTRICTED TO: -

CUSTOMER DRAWING SCALE: 4:1 SHEET: 2 OF 2 REV: D4