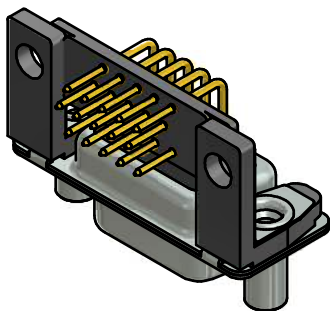


NOTES:

- METALSHELLS: STEEL; min. 315µm TIN over 40-80µm NICKEL
- INSULATORS: PBT GF UL 94 V-0, BLACK
- CONTACTS: COPPER ALLOY; PLATING (SEE PART NO.):
 PLEASE ADD A for GOLD FLASH over NICKEL (PREFERRED TYPE)
 PLEASE ADD B for 20µm HARD GOLD over min. 50µm NICKEL
 PLEASE ADD C for 30µm HARD GOLD over min. 50µm NICKEL
- MOUNTING BRACKETS: PBT GF UL 94 V-0; BLACK
- THREADED LOCKS: COPPER ALLOY; min. 200µm TIN over 80µm NICKEL
- GROUNDING BRACKETS: COPPER ALLOY; min. 200µm TIN over 80µm NICKEL
- FIXING PLATE: PBT GF UL 94 V-0; BLACK
- MAXIMUM TORQUE VALUE FOR THREAD: 6 in.LB
- CONNECTOR IS PART MARKED: [164□18099X CONEC ABC] (see note 3)



Directive 2002/95/EC RoHS compliant

THIS DRAWING MAY NOT BE COPIED OR REPRODUCED IN ANY WAY, AND MAY NOT BE PASSED ON TO A THIRD PARTY WITHOUT WRITTEN PERMISSION. OWNERSHIP AND COPYRIGHT OF CONEC GmbH DO NOT ALTER CAD DRAWING BY HAND				tolerance		dim. in mm	scale: 2:1 (5:1)	
				date			material: see notes	
a		Original	CONEC®		title:		D-SUB HD FEMALE 90°	
rev.		description	date	name	drawn 23.10.14 Henneboel		15pos. SOLDER PIN ANGLED 0.350inch	
					appd. 23.10.14 Lehmenkühler		threaded lock, mounting bracket, fixing plate, grounding bracket	
					norm		dwg no:	
					d-old		16K1A3552	
							part no: 164□18099X (see note 3)	
							DIN-A3	
							sh: 1	