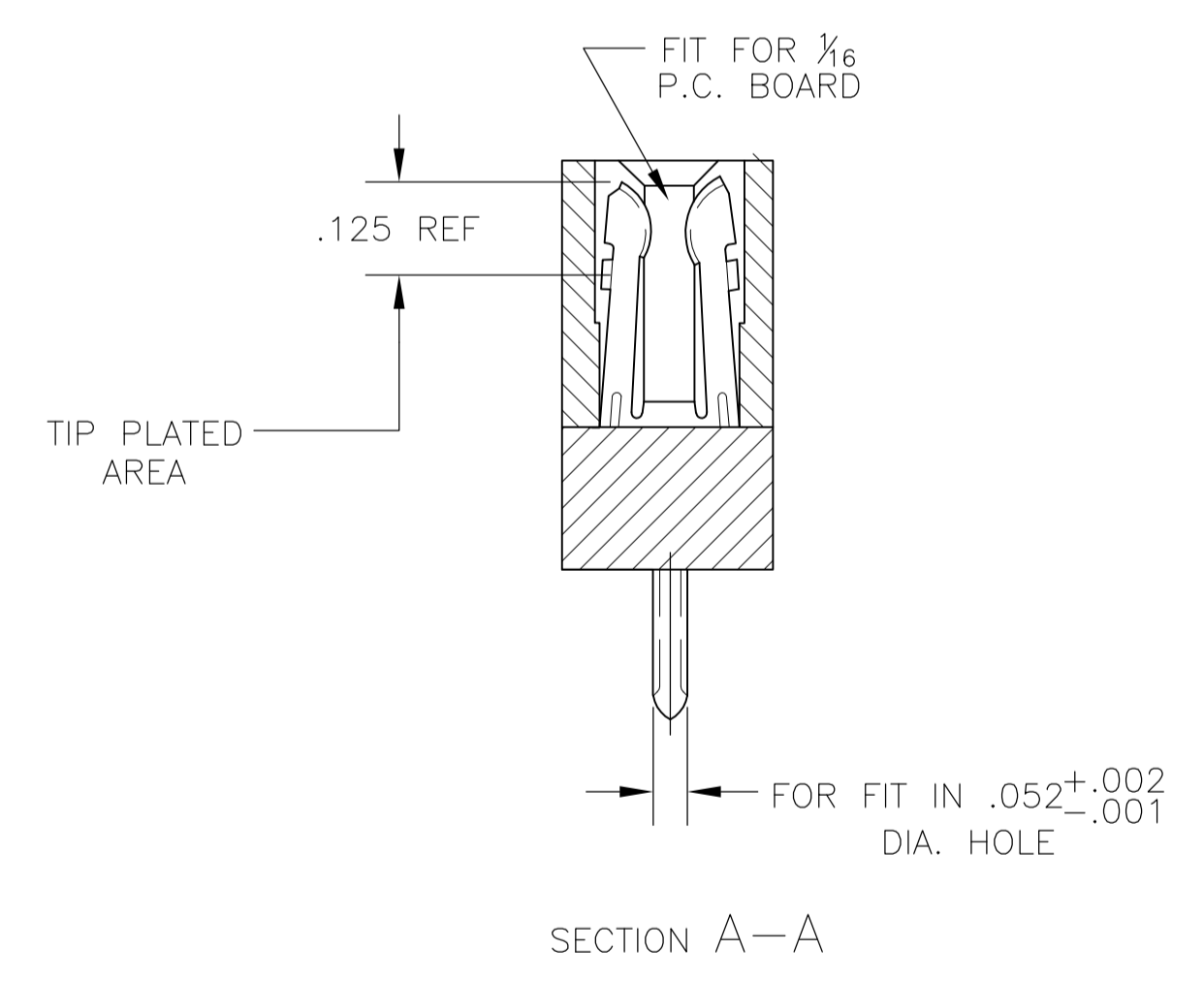
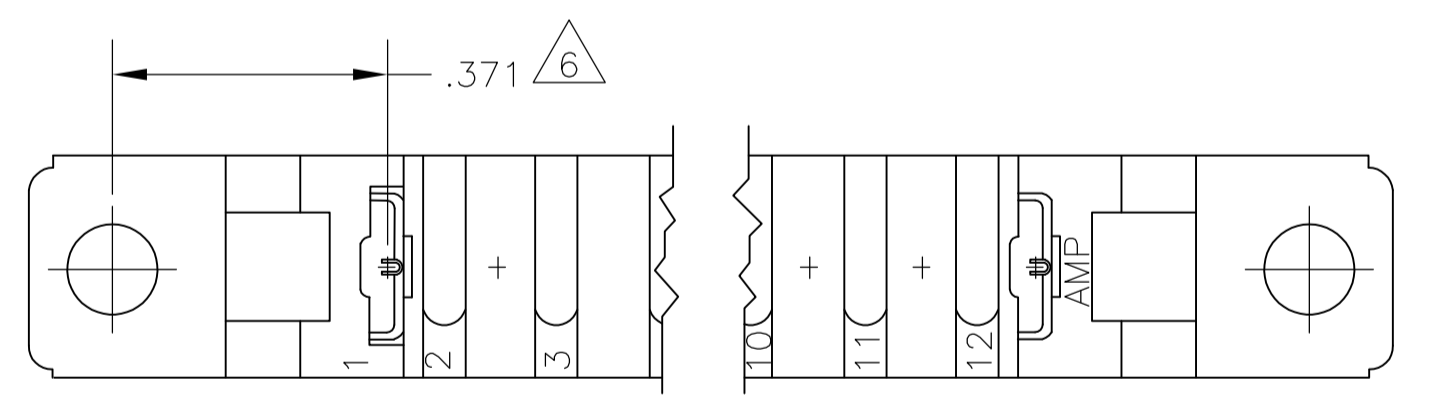
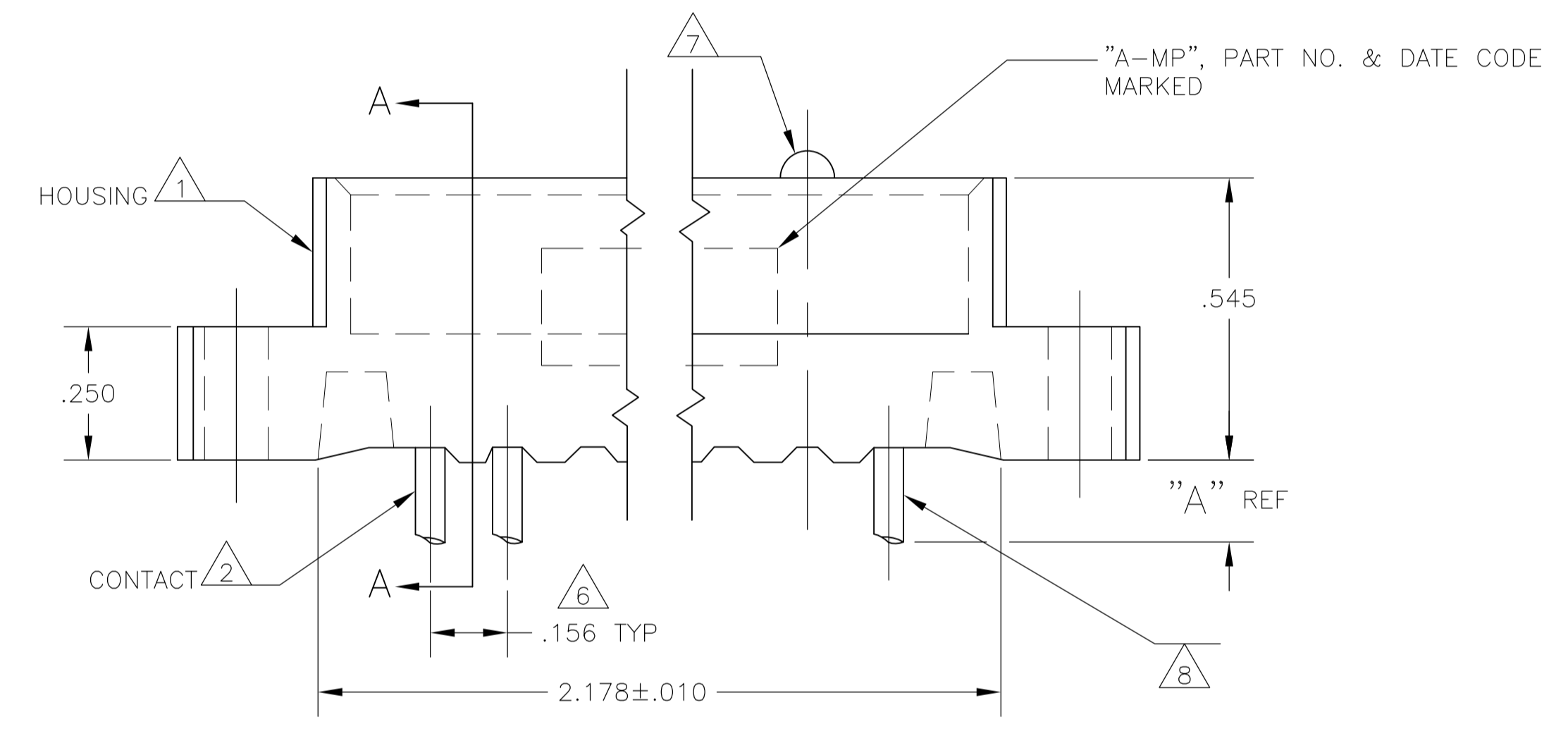
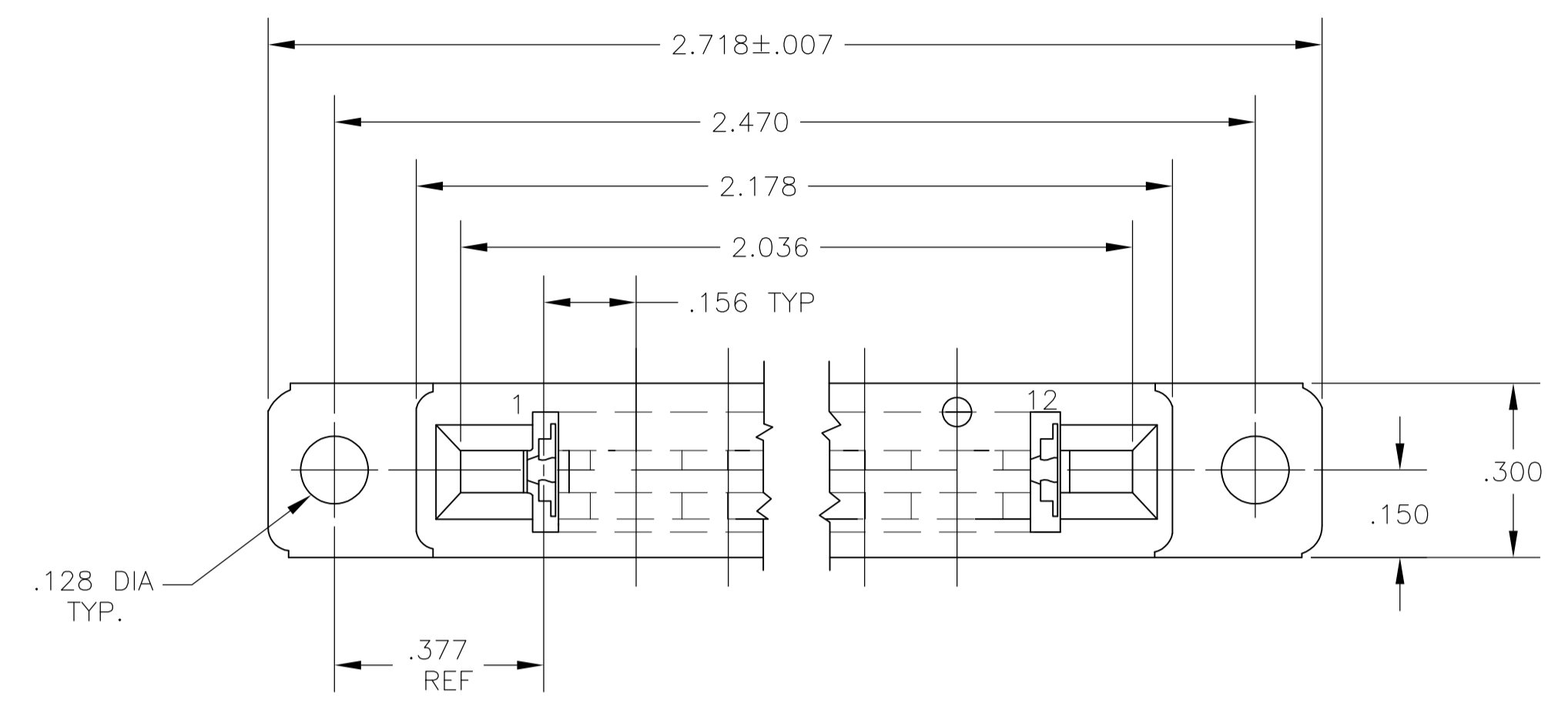


LOC	DIST	REVISIONS				
AD	00	REV	PER	DATE	BY	APPV
L	ECO 05 003616			19APR06	BSV	MM
L1	REV PER ECO-09-021510			14SEP09	KK	AEG



- 1 HOUSING MATL. GLASS FILLED NYLON, COLOR: BLACK OR GLASS FILLED POLYESTER, COLOR: BLACK.
- 2 CONTACT MATL. PHOSPHOR BRONZE, SEE TABLE FOR FINISH.
- 3 TIN PLATED.
- 4 .000015 GOLD TIP PLATED ON NICKEL ALL OVER, TIN PLATED SOLDER TABS.
- 6 SPACING FOR P.C.BOARD MOUNTING HOLES.
- 7 IDENTIFICATION BOSS AT 5TH CAVITY.
- 8 POST ORIENTATION AMP'S OPTION.
- 9. A 1/16 THICK DUMMY P.C. BOARD SHOULD BE INSERTED DURING SOLDERING.
- 10 .000030 GOLD TIP PLATED ON NICKEL ALL OVER, TIN PLATED SOLDER TABS.
- 11 MATTE TIN PLATE ON SOLDER TAILS.
- 12 OBSOLETE PARTS: OBSOLETE CIS STREAMLINING PER D.RENAUD/D.SINISI

12	OBSOLETE	4 11	.187	5-583354-2
		3 11	.187	5-583354-1
	OBSOLETE	10	.187	583354-3
		4	.187	583354-2
12	SUPERSEDED	3	.187	583354-1
		CONTACT FINISH	A	PART NO.

THIS DRAWING IS A CONTROLLED DOCUMENT.

DIMENSIONS: INCHES	TOLERANCES UNLESS OTHERWISE SPECIFIED:	DIN R. H. FRANTZ 18MAR68	APVD D. S. HEIDE	NAME
0 PLC ± -	1 PLC ± -	27MAR68		PRODUCT SPEC
2 PLC ± -	3 PLC ± -			APPLICATION SPEC
4 PLC ± -	ANGLES ± -			
MATERIAL	FINISH SEE TABLE	WEIGHT	SIZE CAGE CODE DRAWING NO	RESTRICTED TO
1 2			A1 00779 C=583354	
CUSTOMER DRAWING		SCALE 4:1	SHEET 1 OF 1	REV L1

Tyco Electronics Corporation  
 Harrisburg, Pa 17105-3608

CONNECTOR ASS'Y MODIFIED FORK, 12 POS, 156 CTRS, SOLDER TYPE POST