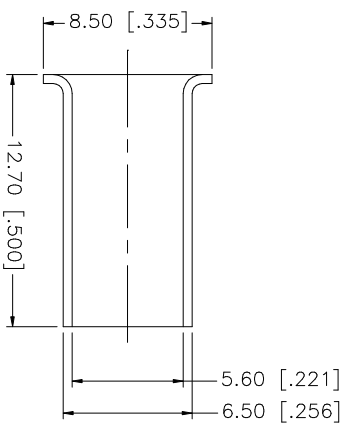
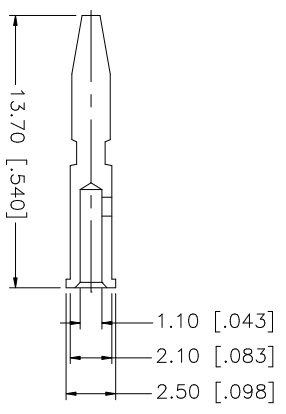
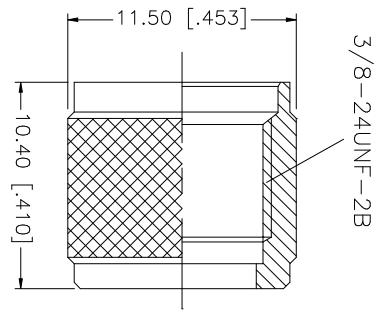
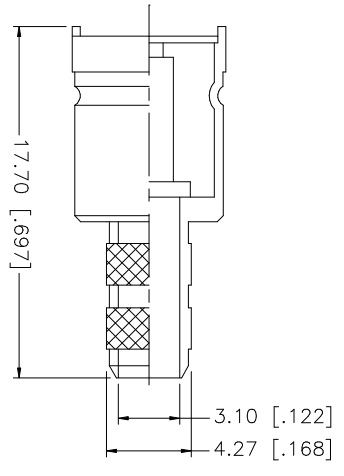
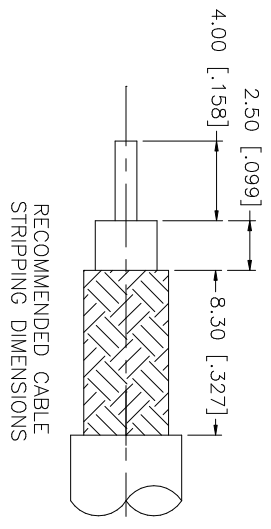


REV.	DATE	DESCRIPTION
A	01/19/06	UPDATE DRAWING FORMAT



QTY	FINISH	MATERIAL	DESCRIPTION
1	NICKEL	BRASS	FERRULE
1	GOLD	BRASS	CONTACT PIN
1	NATURAL	TEFLON	INSULATOR
1	NICKEL	BRASS	SHELL
1	NICKEL	BRASS	BODY

APPROVALS	DATE
DRAWN G.R.S.	01/19/06
CHECKED	
ISSUED	
SHEET 1 OF 1	

UNLESS OTHERWISE SPECIFIED DIMENSIONS ARE IN INCHES AND FRACTIONS DECIMALS REFERENCED ONLY
UNLESS OTHERWISE SPECIFIED TOLERANCES FOR MILLIMETERS ARE: 0.5 - 8mm ± 0.20mm 8 - 30mm ± 0.40mm 30 - 120mm ± 0.50mm
UNLESS OTHERWISE SPECIFIED TOLERANCES FOR INCHES ARE: .020 - .315 = ± 0.007" .315 - 1.180 = ± 0.015" 1.180 - 4.724 = ± 0.020"
DO NOT SCALE DRAWING

CAD FILE	DWG. NO.	REV.	SIZE	SCALE
C:/182/182123.DWG	182123.DWG	A	A	NA

Amphenol Connex

MINI-UHF CRIMP PLUG
(FOR RG-55/U, 223/U CABLE)

182123