

Catalog #:	
Project :	
Type :	Date:
Notes:	

**LED WAFER RECESSED DOWN LIGHT**

**TL-SPL1™ SERIES**

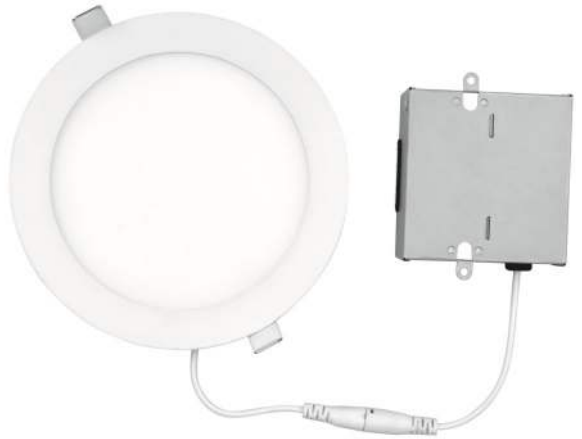
**LED 5CCT Ultra Slim Downlight Retrofit Kit 4 & 6 inch**

**DESCRIPTION**

Led Wafer Recessed Downlight engineered for demanding commercial applications. Save up to 80% in energy cost. 100% Mercury & Lead Free.

**APPLICATIONS**

Ideal for lighting malls, hospitals, hotels, and retail spaces. Replaces CFL & HID or Incandescent downlights for higher energy savings & aesthetics.



**QUICK SHIP:**

TL-SPL1R4-9W-5CCT  
TL-SPL1R6-12W-5CCT



**Specification Features**

**Controls / Dimming**

High quality internal driver; Triac dimming; Flicker free. Frosted Lens and Base with junction box, and Suitable for damp locations. SMD2835. Beam angle is 110°. 50,000+ working hours.

**Warranty**

5 Years Limited Warranty. See warranty documentation for more information.

**Certification**

It complies with Energy Star Rated, ETL Certified and FCC Compliance.

**Installation / Mounting**

LED wafer recessed downlight retrofit is supplied with a quick connect-case and conduit to make an easy connection to an existing recessed fixture frame junction box. Beam angle is 110°. Instant start w/NO humming.

**Ordering Information**

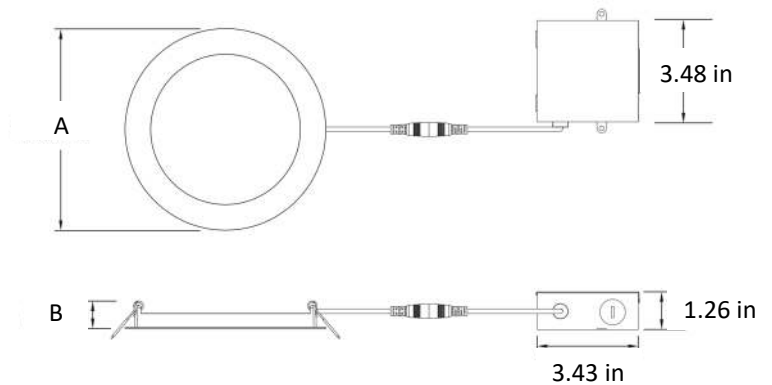
Example: TL-SPL1R4-9W-5CCT

TL	SPL1	R4	9W	5CCT	[BLANK]
Brand	Series	Diameter	Nominal Wattage	Color Temp	Diffuser Type
<b>TL</b> TechnoLED	<b>SPL1</b> LED Slim Panel Light	<b>4</b> 4 Inch <b>6</b> 6 Inch	<b>4-inch 9W</b> 9 Watt <b>6-inch 12W</b> 12 Watt	80+ CRI minimum, white tuning, selectable 5CCT 2700K-5000K <b>2700K</b> <b>3000K</b> <b>3500K</b> <b>4000K</b> <b>5000K</b> } 5CCT Switch	<b>[Blank]</b> Frosted <b>[Blank]</b> 120V

## Lighting Parameters

Input Voltage	120V
CCT	2700K/3000K/3500K/4000K/5000K
CRI	>80
Lumens	680Lm (9W) / 1,100Lm (12W)
PF	>0.9
Frequency	60Hz
Current	90mA
Angle	110°
Product size	4 inch / 6 inch
Certification	ETL, ES

Part Number	Size	Watt	Lumens
<a href="#">TL-SPL1R4-9W-5CCT</a>	4in	9W	680 Lm
<a href="#">TL-SPL1R6-12W-5CCT</a>	6in	12W	1,100 Lm



Part Number	A	B
<a href="#">TL-SPL1R4-9W-5CCT</a>	4.8 in	0.87 in
<a href="#">TL-SPL1R6-12W-5CCT</a>	6.81 in	0.94 in

## Lighting facts

Per Trim

Brightness 1,100 lumens

Energy Used 12 Watts

Estimated Yearly Energy Cost \$1.82

Based on 3 Hrs/Day \$0.11/kwh

Actual cost base on utility rate and use

Life 31.9 years

## Recommended Dimmers:

## Lutron

DVW-603PGH-WH

CTCL-153P-WH

MSCL-OP153M-WH

DVCL-153P-WH

MACL-153MR-WH

PD-6WCL-WH

SCL-153P-WH

## Leviton

6672-1LW

6674-P0W

IPL06-10Z

DSL06-1LZ

Designed for Indoor Use. Starting temperature -40 °C (-40 °F).

## APPLICATION NOTES

- Operating temperature range between -4°F and +104°F (-20°C and +40°C).
- For indoor/outdoor use, including dry, damp and wet location environments.
- Designed to install in standard 4" and 6" housing. This device is not intended for use with Emergency Lighting.
- Compatible Triac dimming models:
- Warranty: This product is free from defect due to workmanship for a period of three (3) years. If it fails to do so please contact us with proof of purchase for a return authorization.

## INSTALLATION INSTRUCTION

- STEP 1: Shut off power before work.
- STEP 2: Remove mounting bracket and plate from inside and existing recessed housing.
- STEP 3: Connect with Driver
- STEP 4: Place the driver in the cutout first
- STEP 5: Squeeze the snap springs together and install into cutout.
- STEP 6: Push the light into ceiling Carefully routing wires / Driver into upward to ceiling

