

Tous droits strictement réservés. Reproduction ou communication à des tiers interdite sous quelque forme que ce soit sans autorisation écrite du propriétaire. Propriété de c FCI. Droits de reproduction FCI.

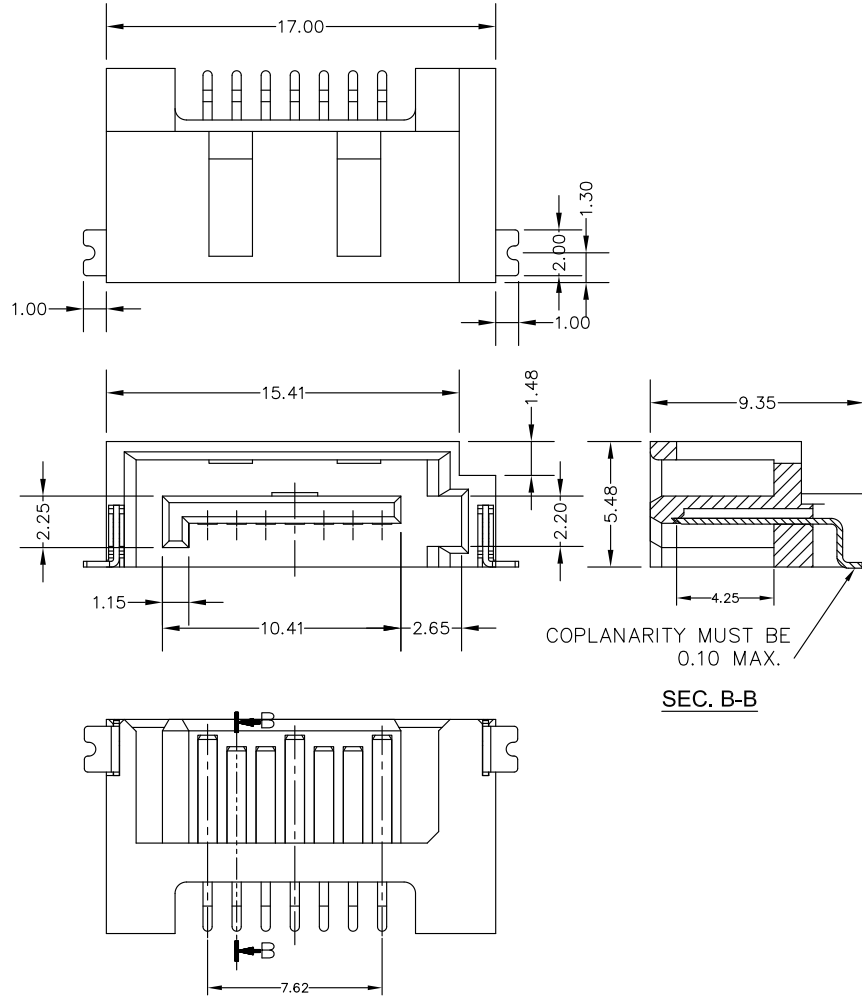


All rights strictly reserved. Reproduction or issue to third parties in any form whatever is not permitted without written authority from the proprietor. Property of FCI. Copyright FCI.

1 | 2

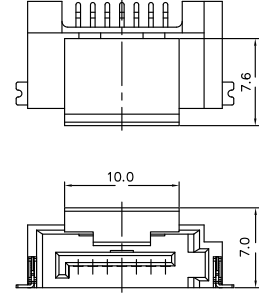
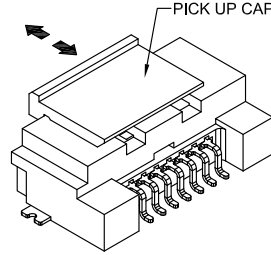
3 |

4



COPLANARITY MUST BE 0.10 MAX.

SEC. B-B



WITH PICK UP CAP

mat'l. code				tolerances unless otherwise specified				CUSTOMER COPY		FCI www.fciconnect.com	
ltr	ecn no	dr	date	linear	.X ± 0.38		projection	title S-ATA SIGNAL PLUG SMT RA TYPE ASS'Y			
A	T08-1179	S.LIN	10/30/08		.XX ± 0.25						
B	T08-1179	S.LIN	11/14/08		.XXX ± 0.10						
C	T09-1007	S.LIN	01/21/09	angles	0° ±2°		MM	product family SATA code TWN size dwg no sheet 1 of 2			
D	ELX-S-27968	SL.LIM	09/18/17	dr	STERLING LIN	10/30/08					
				enr	STERLING LIN	10/30/08					
				chr	STERLING LIN	10/30/08	scale NA	A4 10089036			
				appd	MINERVA WANG	10/30/08					
sheet index	revision sheet	D	D								
		1	2								

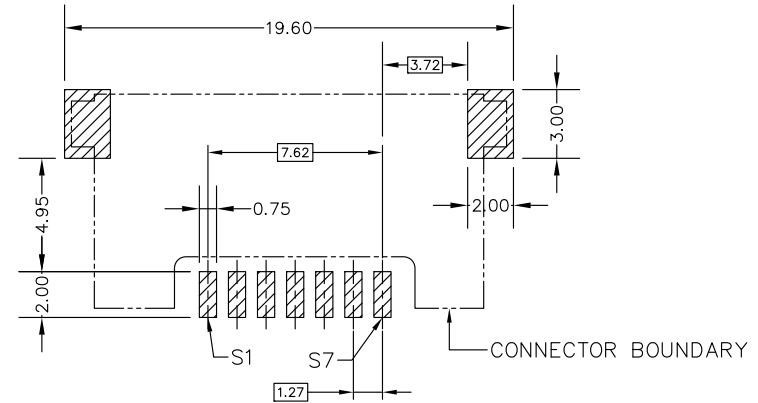
1 | 2

3 |

4

NOTES :

1. MATERIAL
 - i) HOUSING : HIGH TEMPERATURE THERMOPLASTIC UL94V-0
 - ii) TERMINAL : COPPER ALLOY
 - iii) HOLD DOWN : COPPER ALLOY
2. FINISH
 - i) TERMINAL : Au PLATING AT CONTACT POINT
MATT TIN PLATING 100u" MIN AT SOLDER TAIL WITH NICKEL 50u" MIN UNDERPLATE.
 - ii) HOLD DOWN : MATT TIN PLATING.
MATT TIN PLATING 100u" MIN AT SOLDER TAIL WITH NICKEL 50u" MIN UNDERPLATE.
3. THE HOUSING WILL WITHSTAND EXPOSURE TO 260 DEGREE C PEAK TEMPERATURE FOR 10 SECONDS IN A CONVECTION, INFREA RED, OR VAPOR PHASE REFLOW OVEN.
4. Packaging spec. GS-14-840.
5. Prodcut Spec. GS-12-194.
6. Prodcut Spec. 110-634



RECOMMENDED MOUNTING LAYOUT
 RECOMMENDED PCB T: 1.6mm
 TOLERANCE UNLESS OTHERWISE ±0.1mm

10089036- 0 X X X LF LEAD FREE

BLANK: SPEC AS NOTE 5
 J: SPEC AS NOTE 6

- 1: G/F PLATING AT CONTACT
- 2: 15U" GOLD AT CONTACT
- 3: 30U" GOLD AT CONTACT

O: TAPE & REEL PACKING WITH PICK UP CAP

\triangle D1: TAPE & REEL PACKING WITHOUT PICK UP CAP

Tous droits strictement reserves. Reproduction ou communication a des tiers interdite sous quelque forme que ce soit sans autorisation ecrite du proprietaire. Propriete de c FCI. Droits de reproduction FCI.



All rights strictly reserved. Reproduction or issue to third parties in any form whatever is not permitted without written authority from the proprietor. Property of FCI. Copyright FCI.

mat'l. code				tolerances unless otherwise specified			CUSTOMER COPY	FCI www.fciconnect.com		
\triangle D	ltr	ecn no	dr	date	linear	.X ± 0.38	projection	title S-ATA SIGNAL PLUG SMT RA TYPE ASS'Y		
						.XX ± 0.25				
						.XXX ± 0.10				
						0° ± 2°				
				angles	dr	STERLING LIN	10/30/08	product family SATA	code	
					enr	STERLING LIN	10/30/08		size	TWN
					chr	STERLING LIN	10/30/08		A4	10089036
					appd	MINERVA WANG	10/30/08			
sheet index	revision sheet							scale	NA	