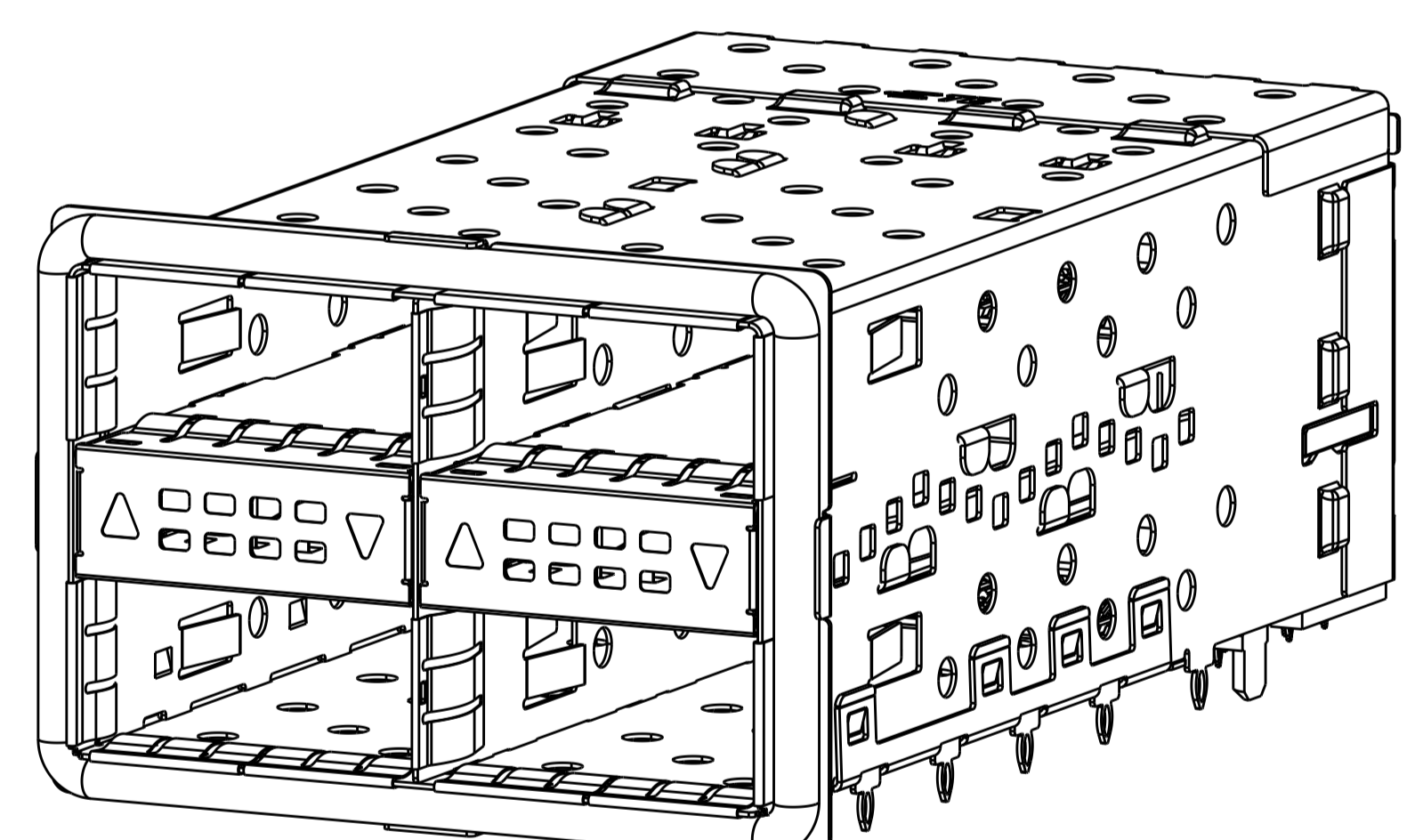
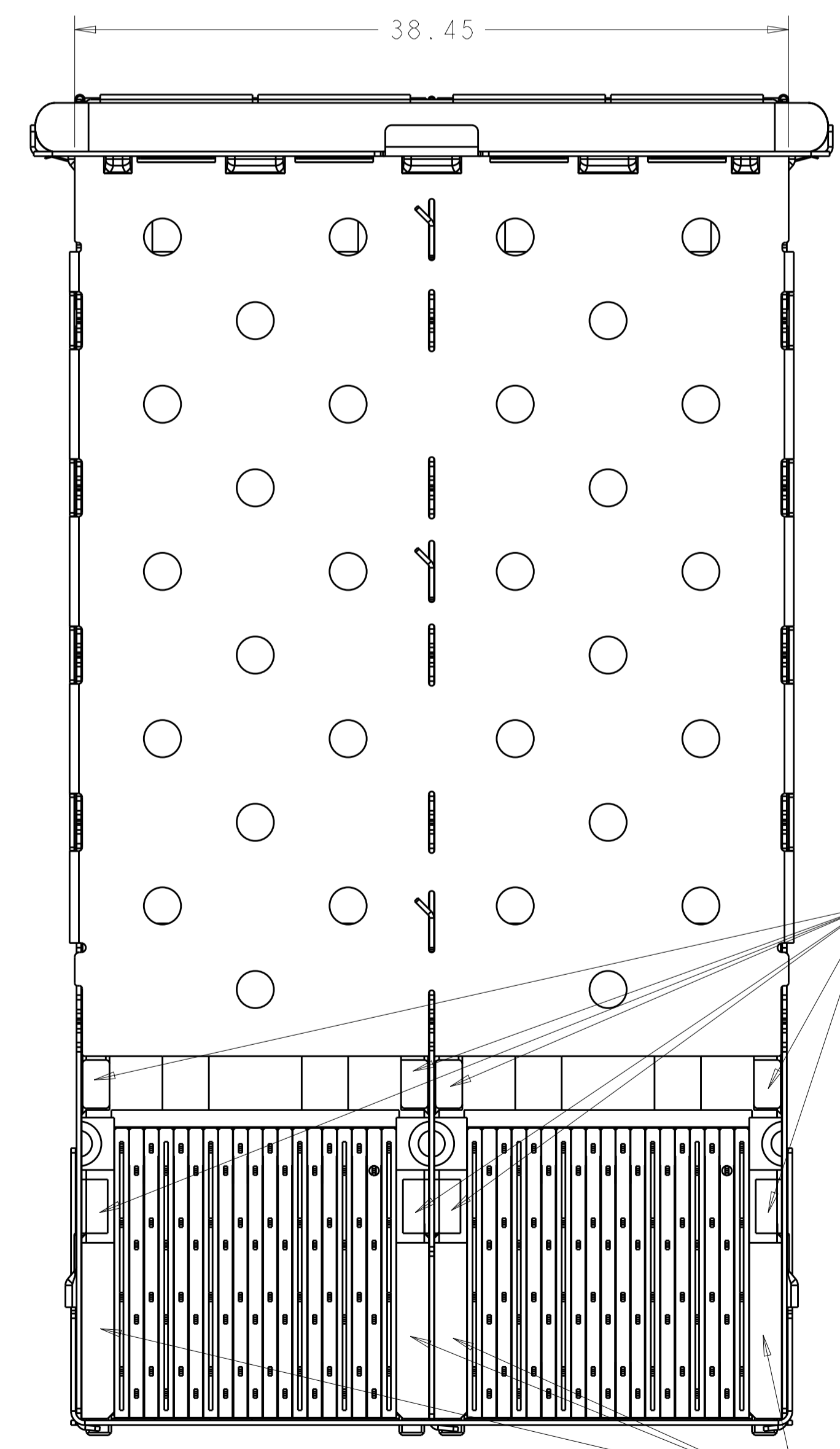
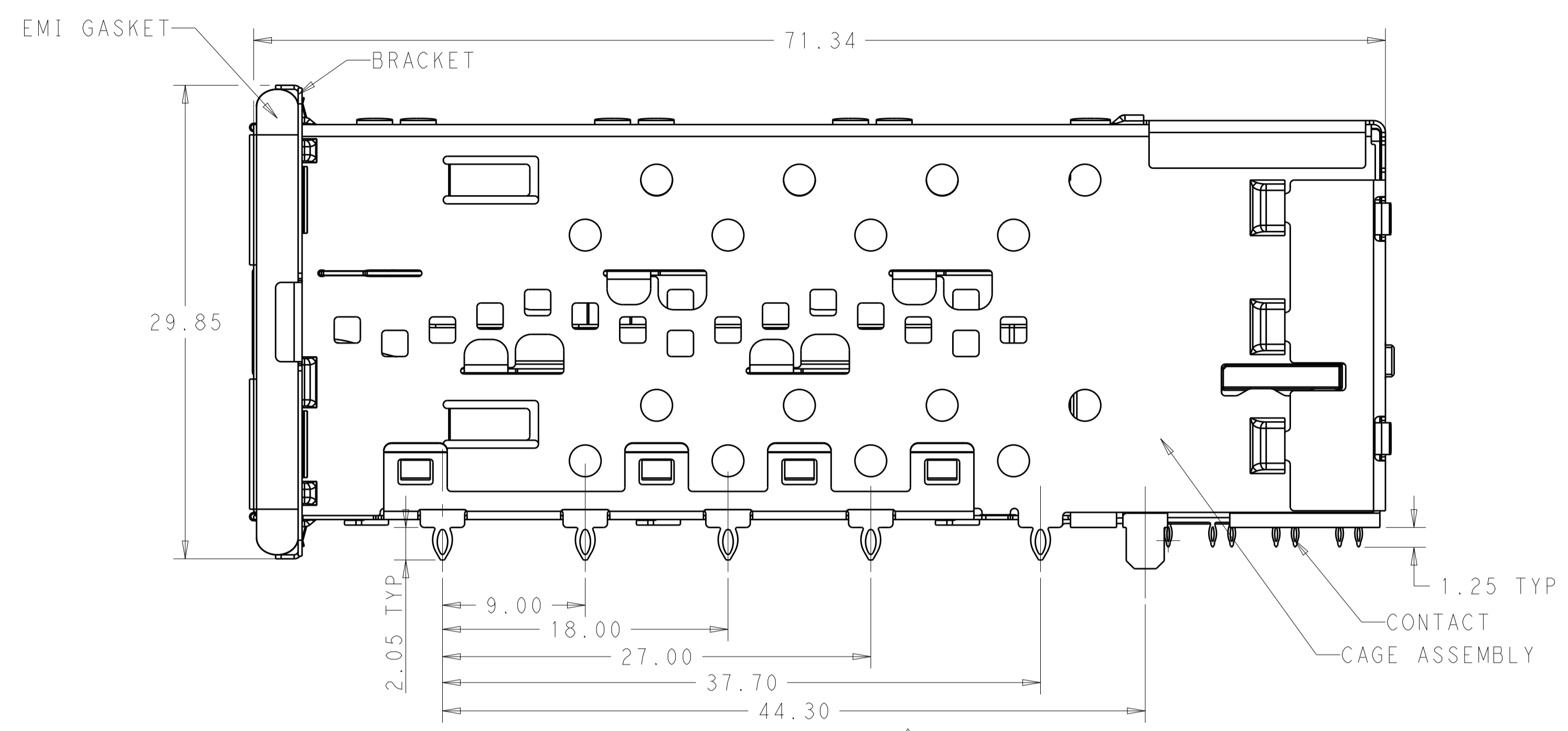
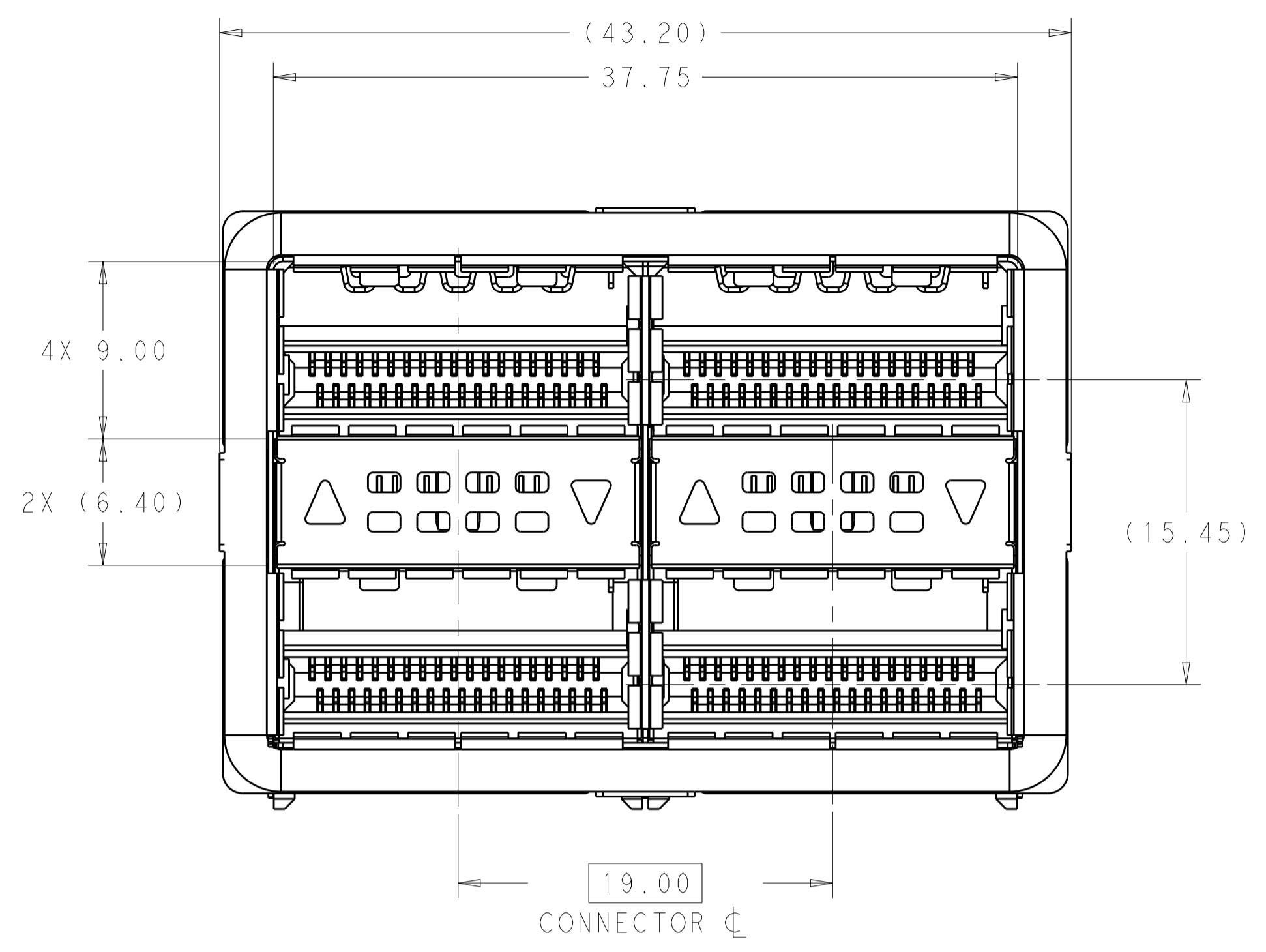


LOC	DIST	REVISIONS					
GP	00	P	LTN	DESCRIPTION	DATE	DWN	APVD
		A		RELEASE PER ECO-16-001264	1FEB2016	RG	SH
		B		REVISE PER ECO-17-008876	3AUG2017	RG	SH



- 1 MATERIAL:  
 CAGE ASSEMBLY- STAINLESS STEEL.  
 BRACKET- STAINLESS STEEL.  
 EMI GASKET- NIKCEL-GRAPHITE FILLED SILICONE.  
 HOUSING- BLACK LCP,UL 94V-0 RATED  
 CHICKLET- BLACK LCP,UL 94V-0 RATED  
 LIGHT PIPE- POLYCARBONATE, CLEAR, UL 94V-0 RATED  
 CONTACT- COPPER ALLOY.  
 GASKET - CONDUCTIVE RUBBER, UL 94V-0 RATED
- 2 DATUM AND BASIC DIMENSIONS ESTABLISHED BY CUSTOMER.
- 3. MINIMUM PCB THICKNESS OF 1.57mm.
- 4 CONTACT FINISH- CONFORMS TO THE REQUIREMENTS OF TE PRODUCT SPECIFICATION 108-127010, BASED ON EIA/ECA-364-1000.01A, (CONTROLLED ENVIRONMENT APPLICATIONS) ON MATING INTERFACE, TIN ON NEEDLE EYE.
- 5 THE ENTIRE AREA OF THE CONNECTOR FOOTPRINT, INDICATED BY THE DASHED LINE, TO BE CONSIDERED THE KEEPOUT AREA FOR COMPONENTS AND SIGNAL TRACES. TOP SIDE ONLY. TOP SIDE TRACES ALLOWED WITHIN CONNECTOR HOLE PATTERN.
- 6 LIGHT PIPE PAD LAYOUT IS FOR 0805 LOW PROFILE LED PACKAGE WITH A HEIGHT OF 0.8mm.
- 7. CAGE FINISH-1.25 μm MINIMUM NICKEL PLATING.
- 8 KEEP THE GAP BETWEEN LEDS 0.5mm MINIMUM.

BOTH LIGHT PIPES WITH DOWN DIRECTION	1-2214574-0
3 ROUND VENT HOLES	2214574-9
BOTH LIGHT PIPES	2214574-8
BOTH LIGHT PIPES	2214574-7
INNER LIGHT PIPES	2214574-6
OUTER LIGHT PIPES	2214574-5
NO LIGHT PIPES	2214574-4
BOTH LIGHT PIPES	2214574-3
INNER LIGHT PIPES	2214574-2
OUTER LIGHT PIPES	2214574-1
DESCRIPTION	PART NUMBER

THIS DRAWING IS A CONTROLLED DOCUMENT. DWN: ROBERT GAN 20APR2013  
 CHK: JASON YANG 20APR2013  
 APVD: ALEX CAI 20APR2013

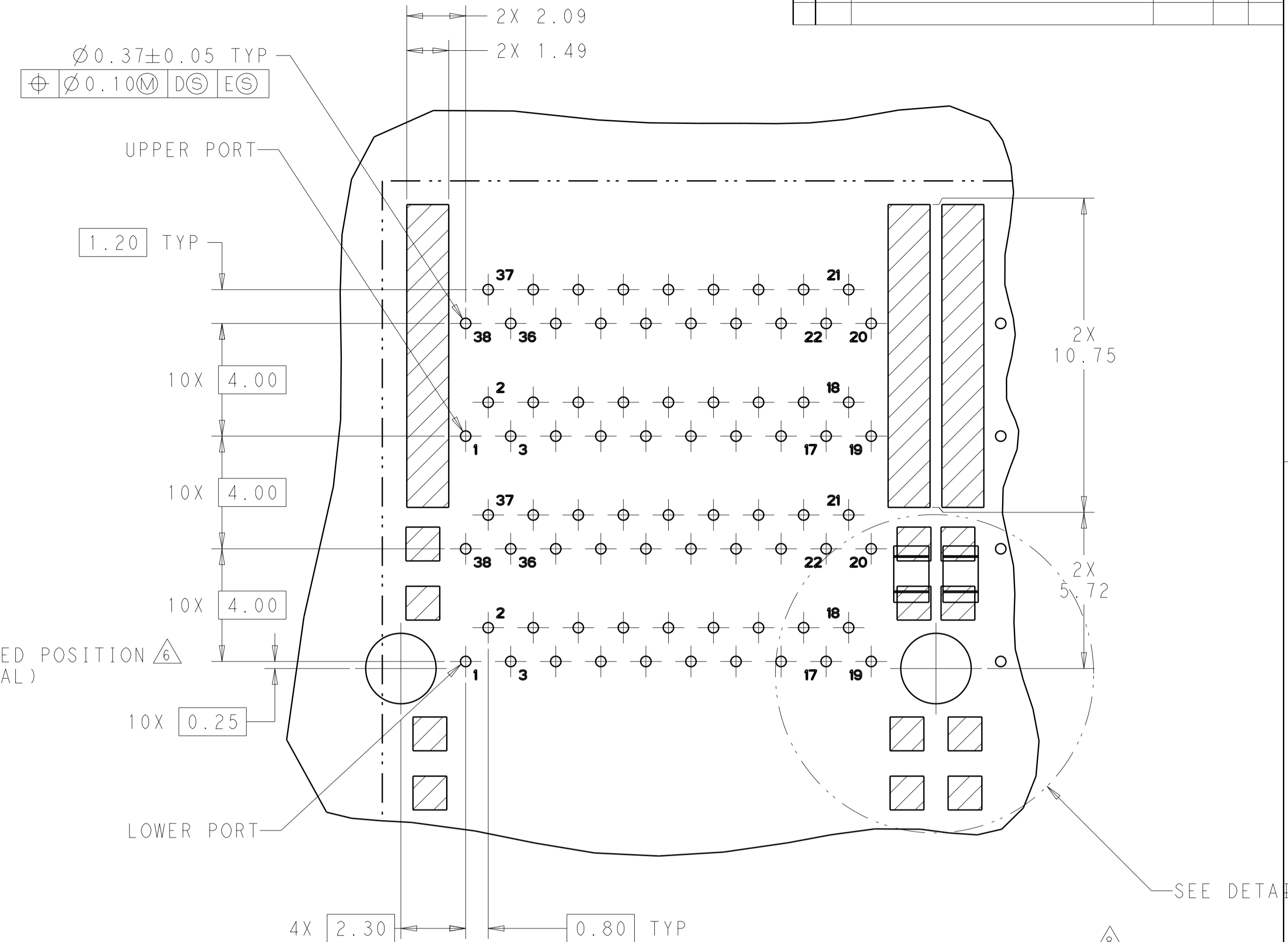
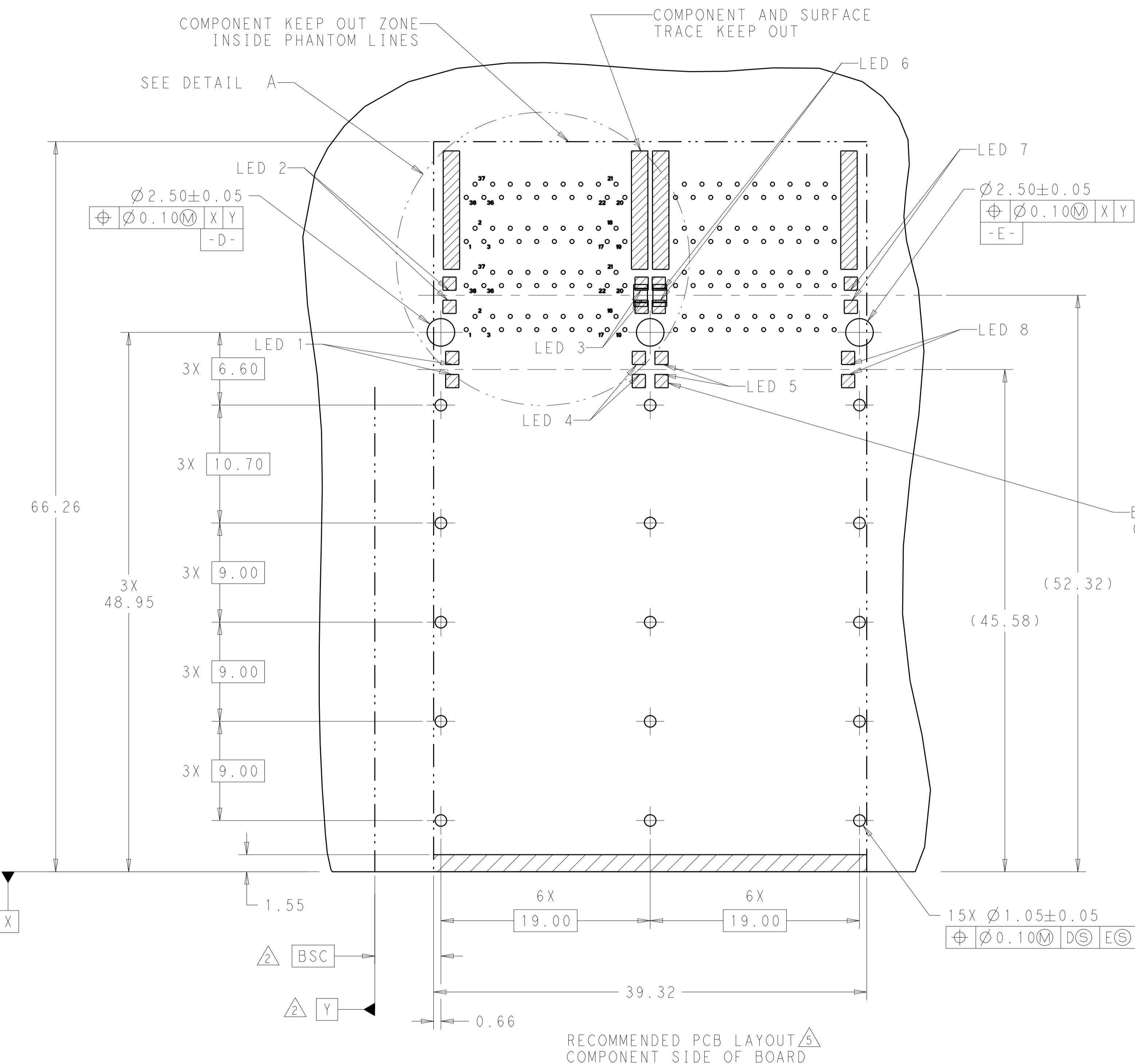
TE Connectivity

CAGE AND PT CONNECTOR ASSEMBLY WITH EMI GASKET, PRESS FIT, 2X2, STACKED QSFP+

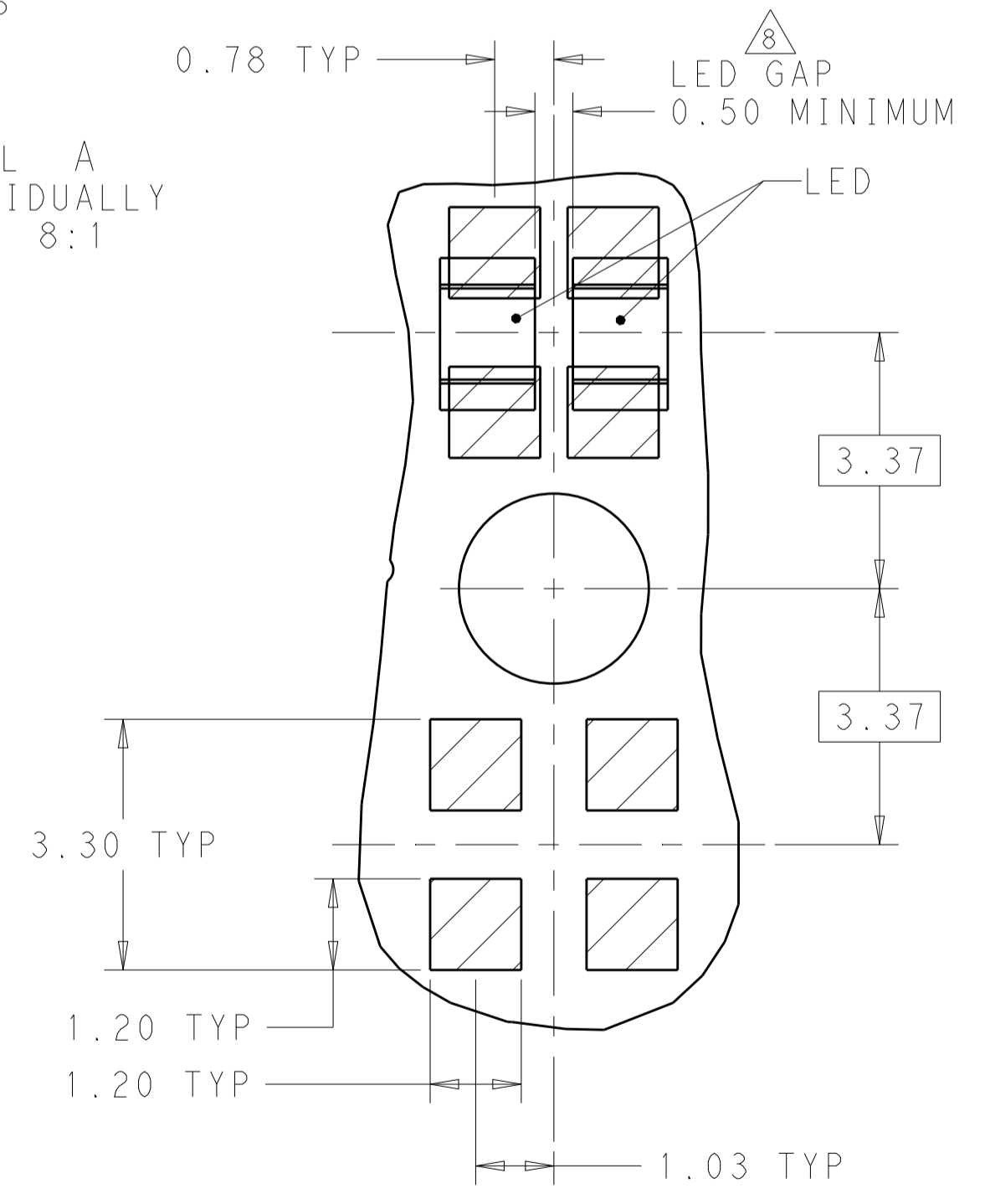
SIZE: A1 CAGE CODE: 114-32020 DRAWING NO: 00779C=2214574

CUSTOMER DRAWING SCALE: 4:1 SHEET 1 OF 4 REV B

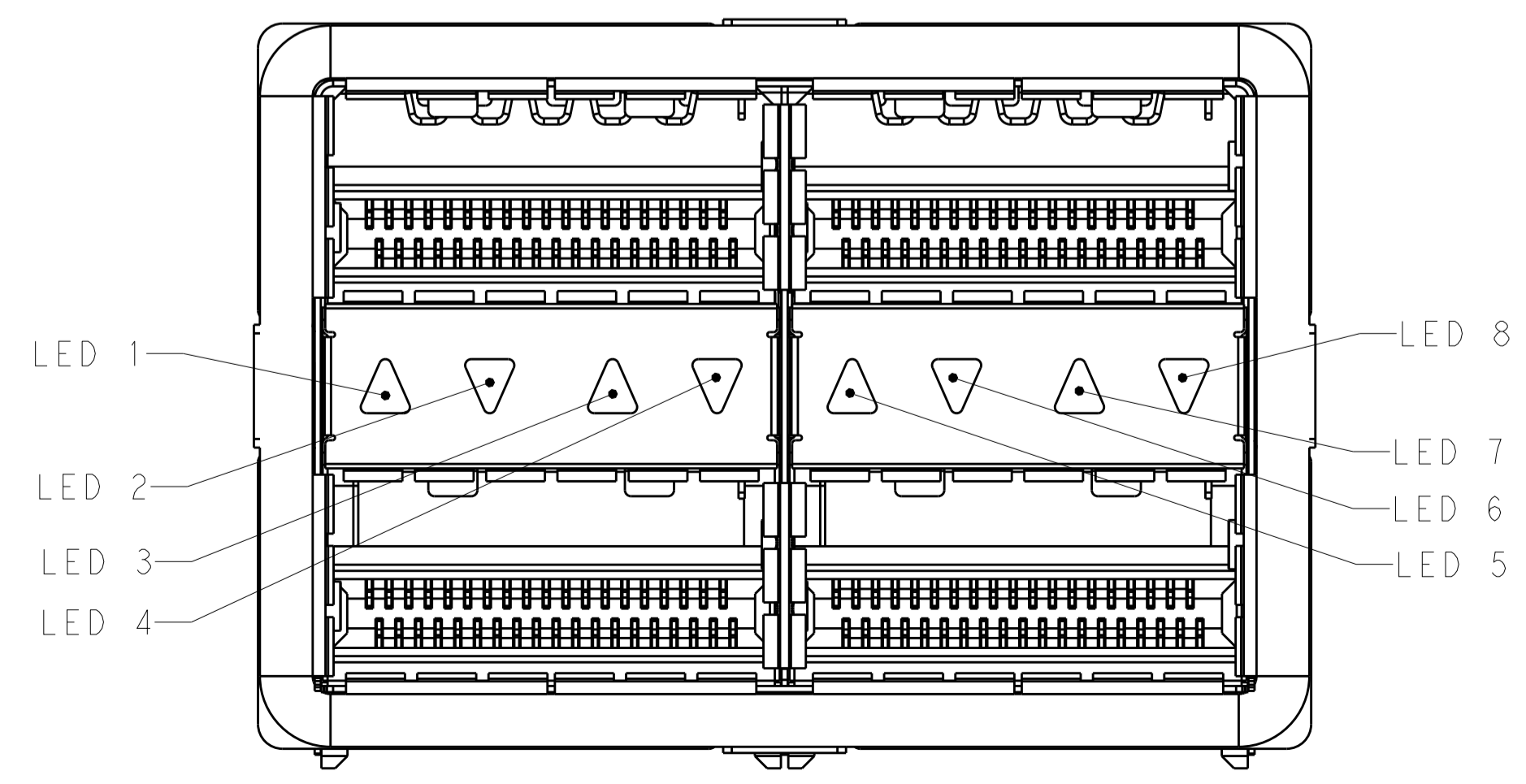
LOC	DIST	REVISIONS					
GP	00	P	LTN	DESCRIPTION	DATE	OWN	APVD
		-	-	SEE SHEET 1	-	-	-



DETAIL A  
 2X INDIVIDUALLY  
 SCALE 8:1



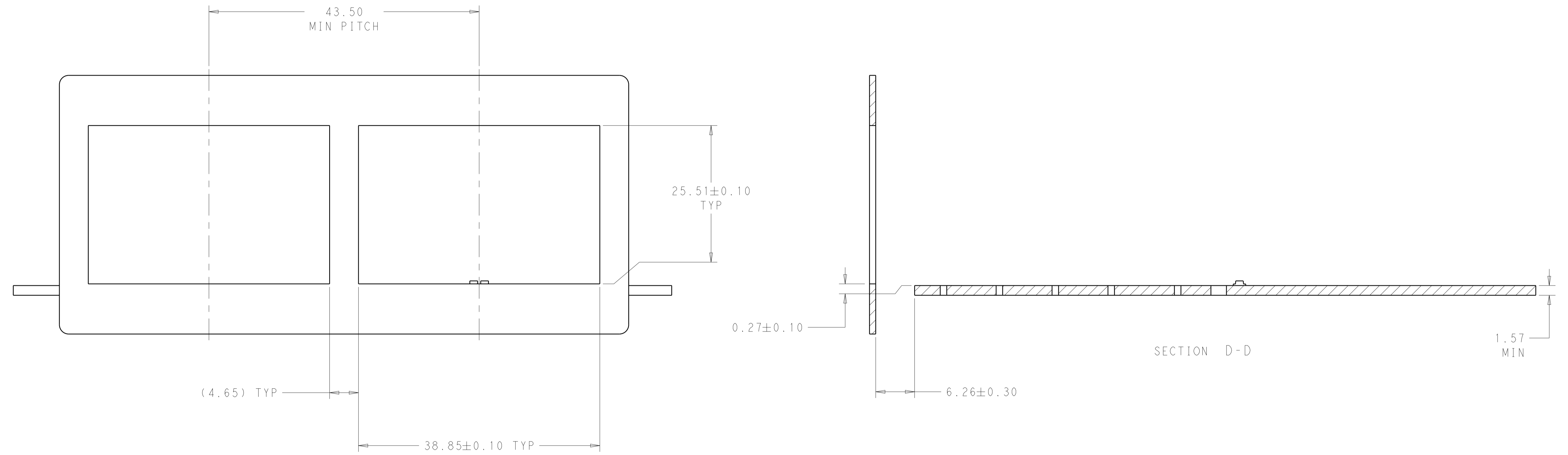
DETAIL B  
 SCALE 12:1



LED LAYOUT DEFINITION  
 SCALE 4:1

THIS DRAWING IS A CONTROLLED DOCUMENT.		OWN: ROBERT GAN 20APR2013	TE Connectivity
DIMENSIONS: mm		CHK: JASON YANG 20APR2013	
TOLERANCES UNLESS OTHERWISE SPECIFIED:		APVD: ALEY CAL 20APR2013	
0 PLC ±. 1 PLC ±0.05 2 PLC ±0.05 3 PLC ±. 4 PLC ±. ANGLES ±. FINISH ±.		NAME: CAGE AND PT CONNECTOR ASSEMBLY WITH EMI GASKET, PRESS FIT, 2X2, STACKED QSFP+	
MATERIAL:	FINISH:	WEIGHT: 114-32020	SIZE: A1
CUSTOMER DRAWING		SCALE: 4:1	SHEET 2 OF 4

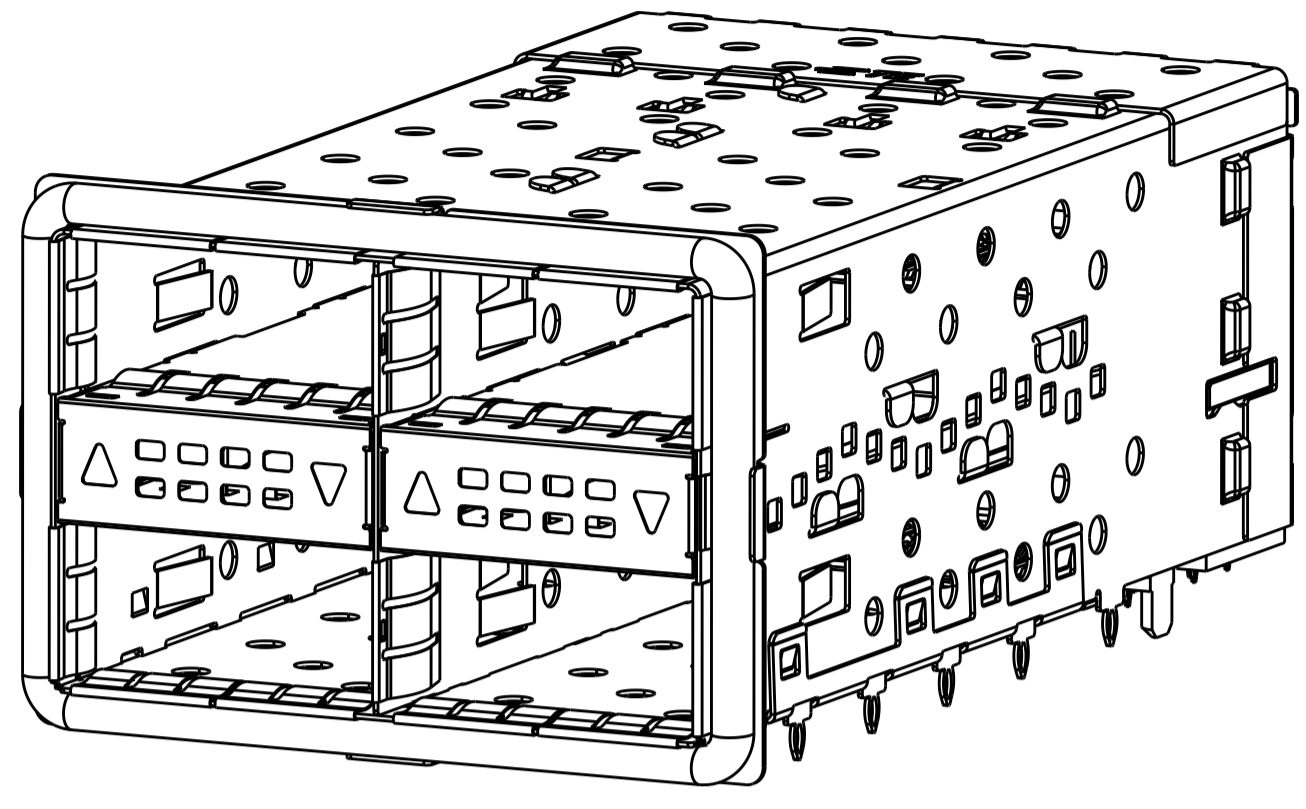
LOC	DIST	REVISIONS					
		P	LTN	DESCRIPTION	DATE	DWN	APVD
GP	00	-	-	SEE SHEET 1	-	-	-



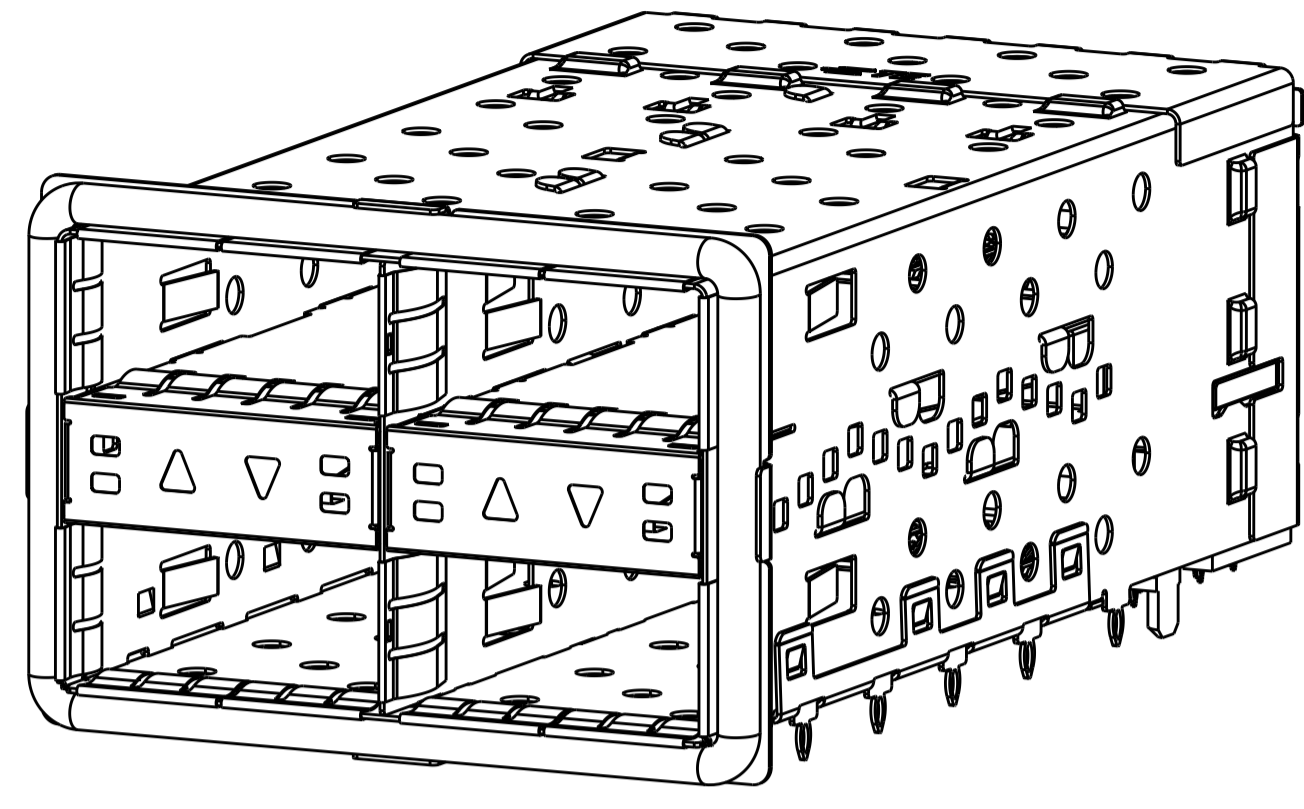
RECOMMENDED PANEL CUTOUT  
 AND PC BOARD PANEL POSITION  
 SCALE 3:1

THIS DRAWING IS A CONTROLLED DOCUMENT.		OWN	ROBERT GAN	20APR2013	<b>TE</b> TE Connectivity
		CHK	JASON YANG	20APR2013	
DIMENSIONS:		APVD	ALEX CAI	20APR2013	NAME CAGE AND PT CONNECTOR ASSEMBLY WITH EMI GASKET, PRESS FIT, 2X2, STACKED QSFP+
TOLERANCES UNLESS OTHERWISE SPECIFIED:		PRODUCT SPEC	108-127010		
mm		APPLICATION SPEC	114-32020		
0 PLC ±		SIZE	A1 00779C=2214574		
1 PLC ±0.25		WEIGHT	CUSTOMER DRAWING		RESTRICTED TO
2 PLC ±0.15		SCALE	4:1		SHEET 3 OF 4
3 PLC ±		REV	B		
4 PLC ±					
ANGLES ±					
FINISH					

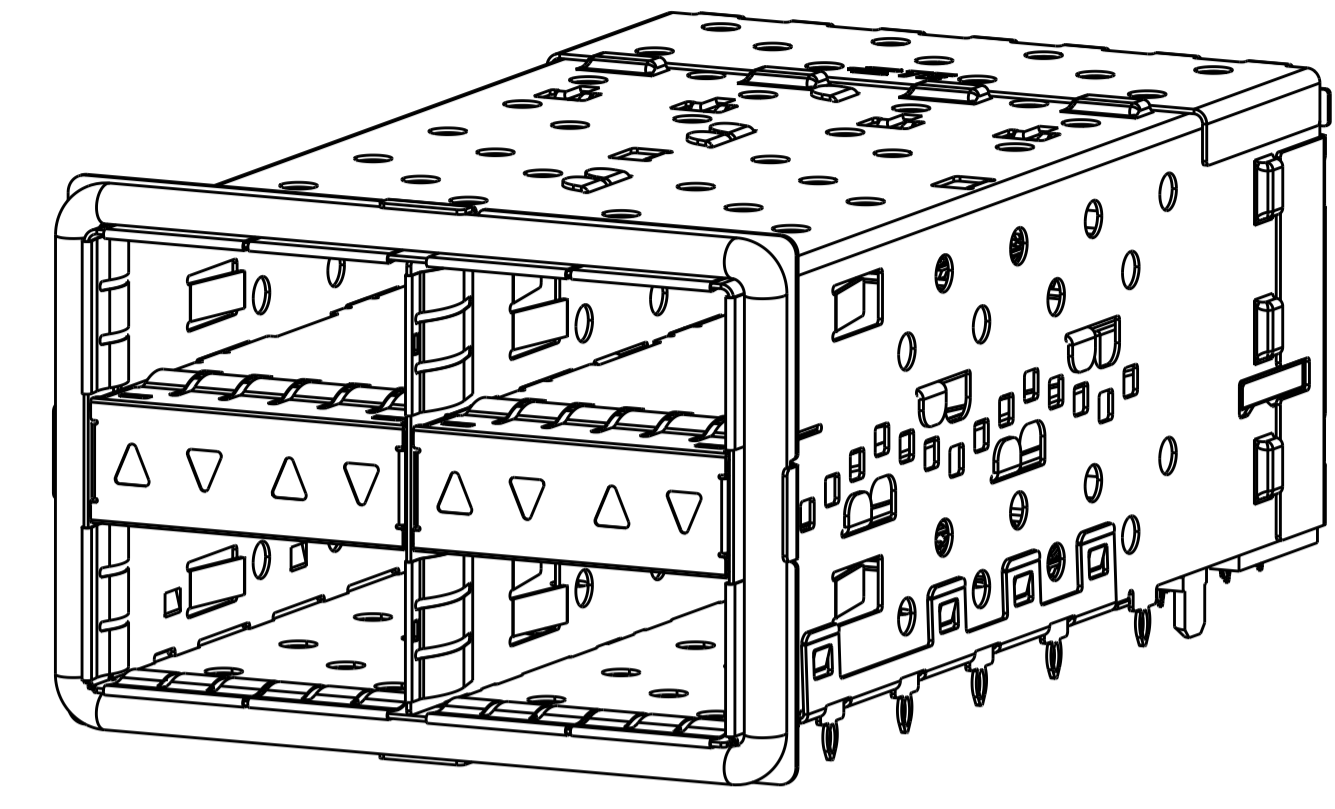
LOC		DIST		REVISIONS			
GP	00	P	LYR	DESCRIPTION	DATE	OWN	APVD
		-		SEE SHEET 1			



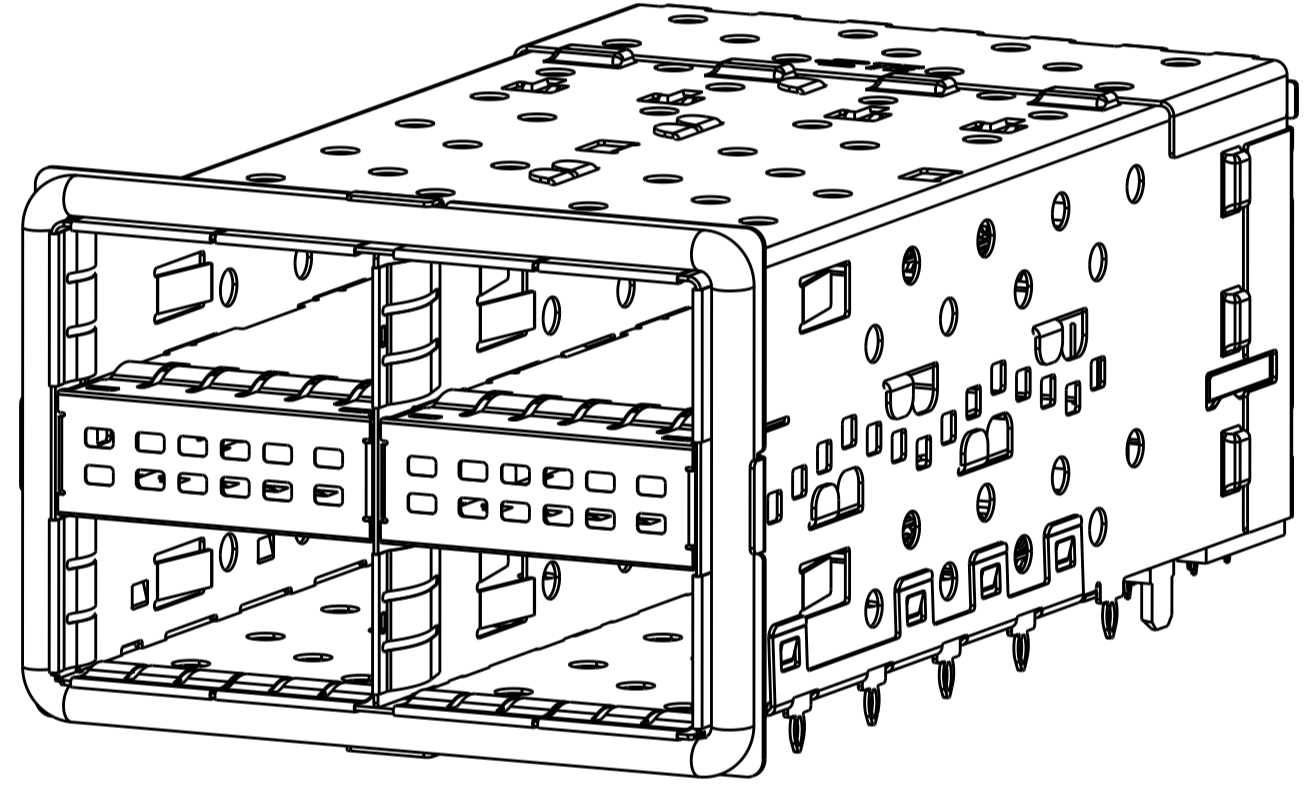
2214574-1



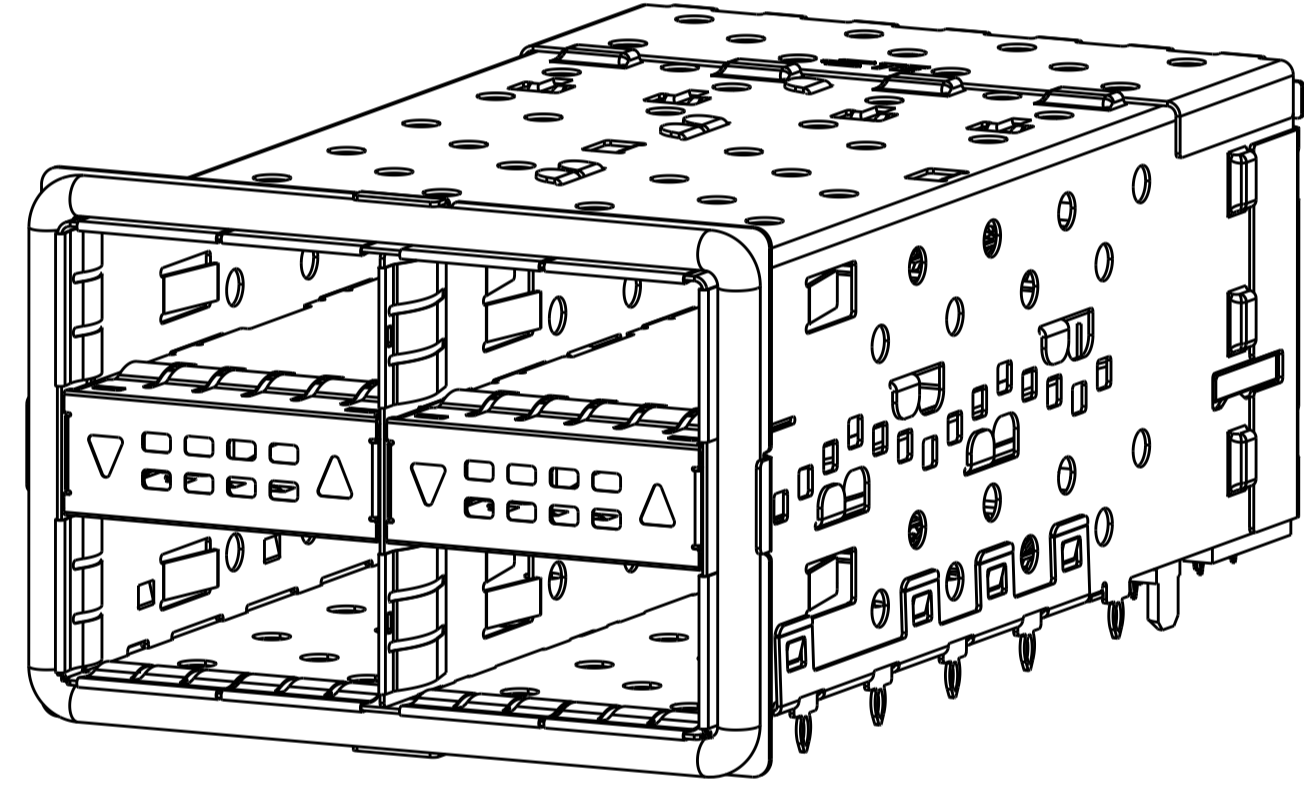
2214574-2



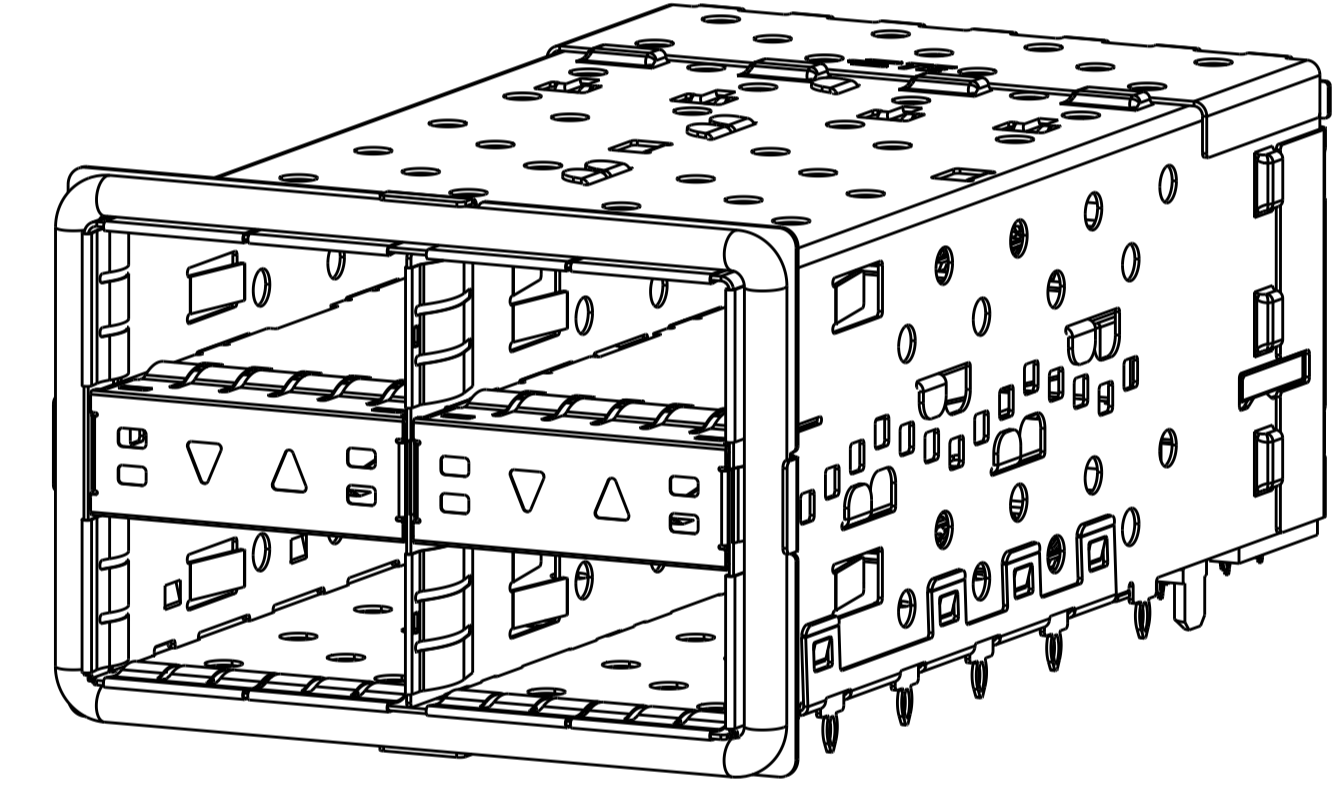
2214574-3



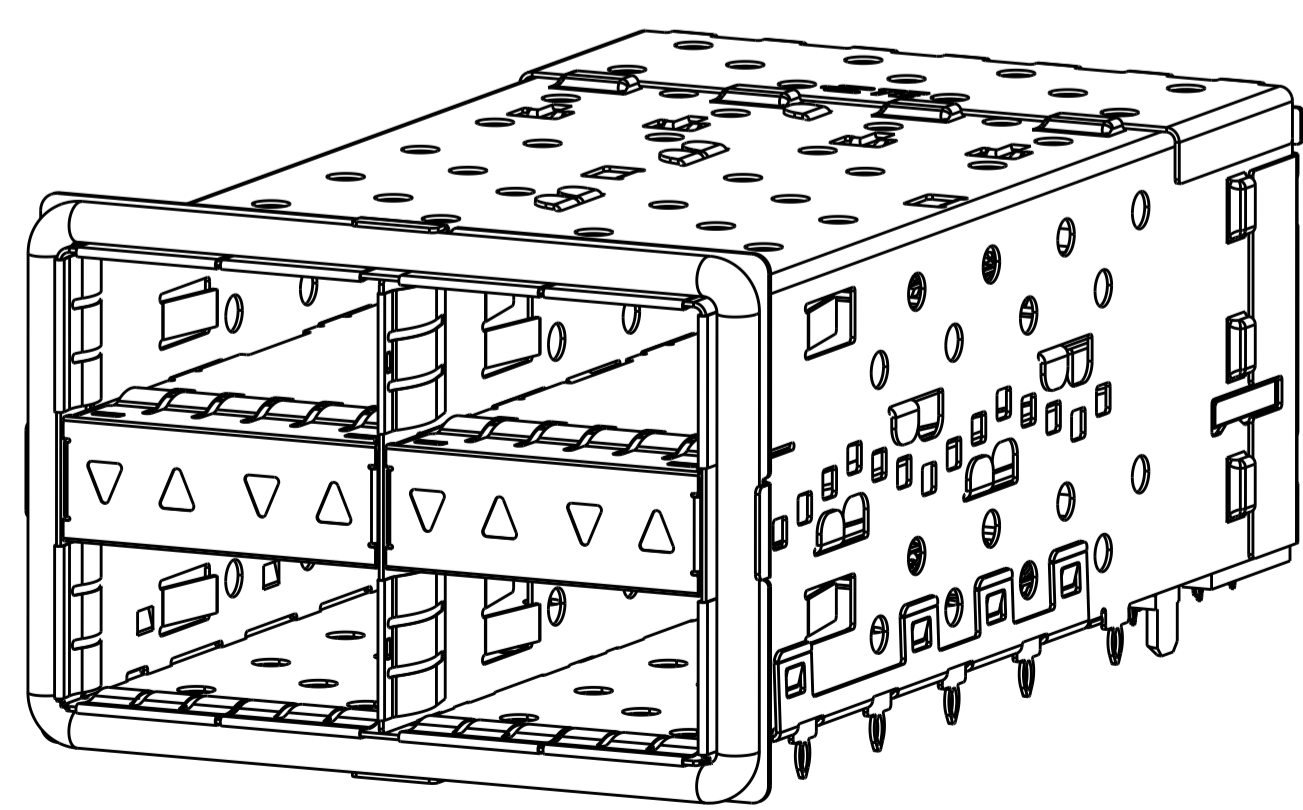
2214574-4



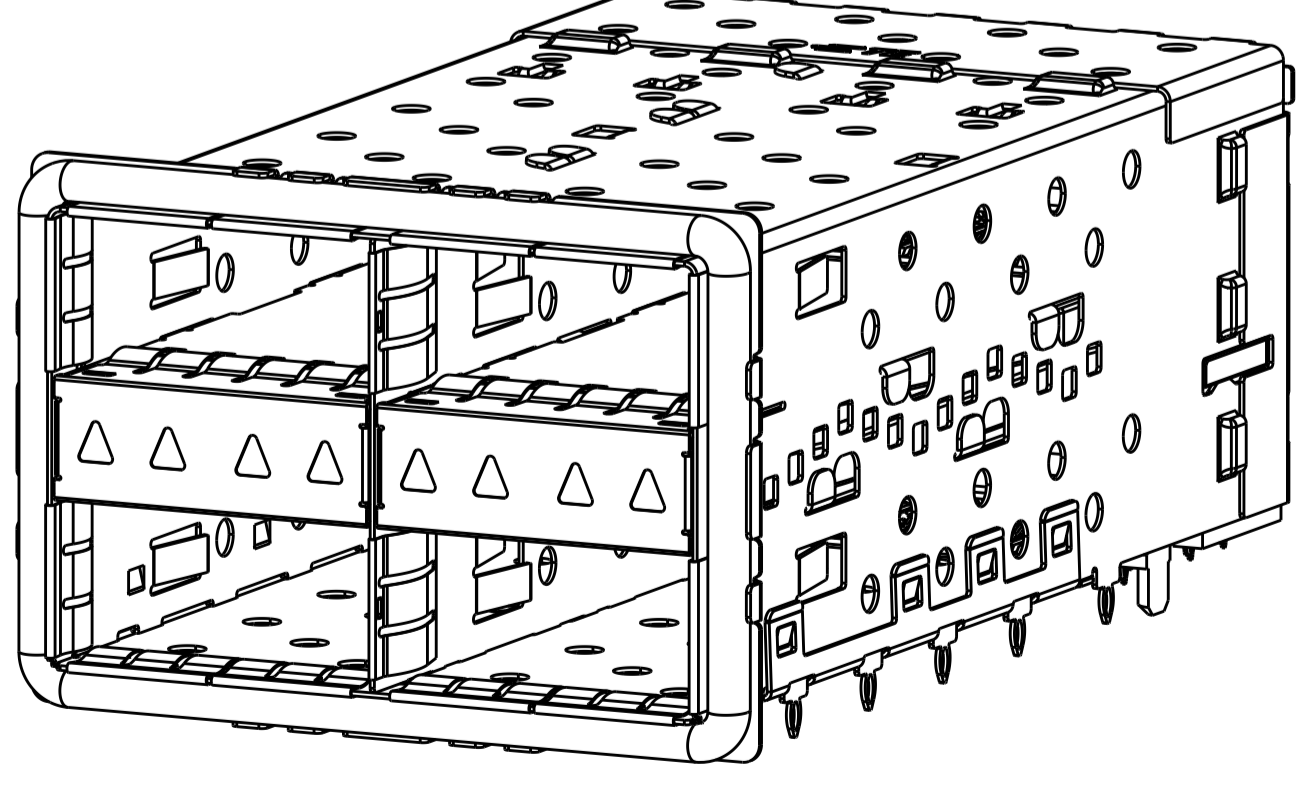
2214574-5



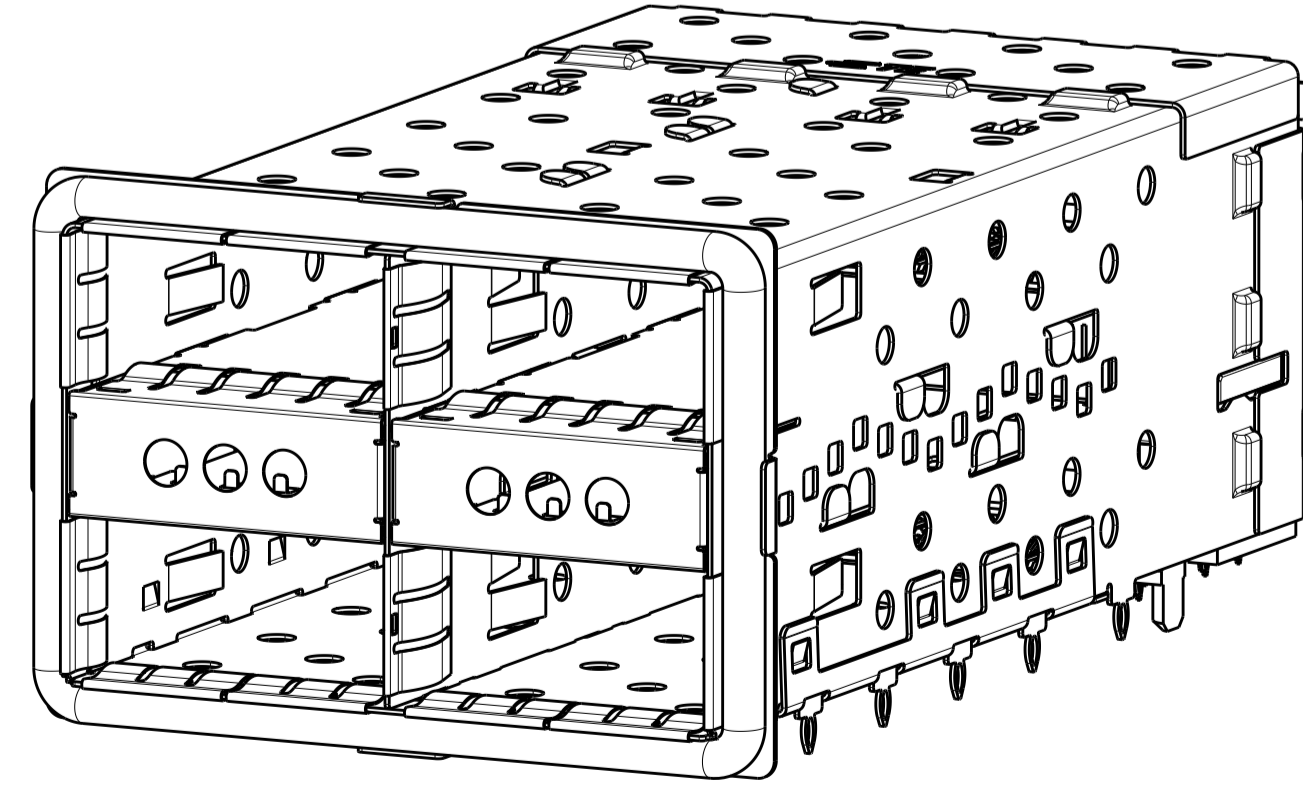
2214574-6



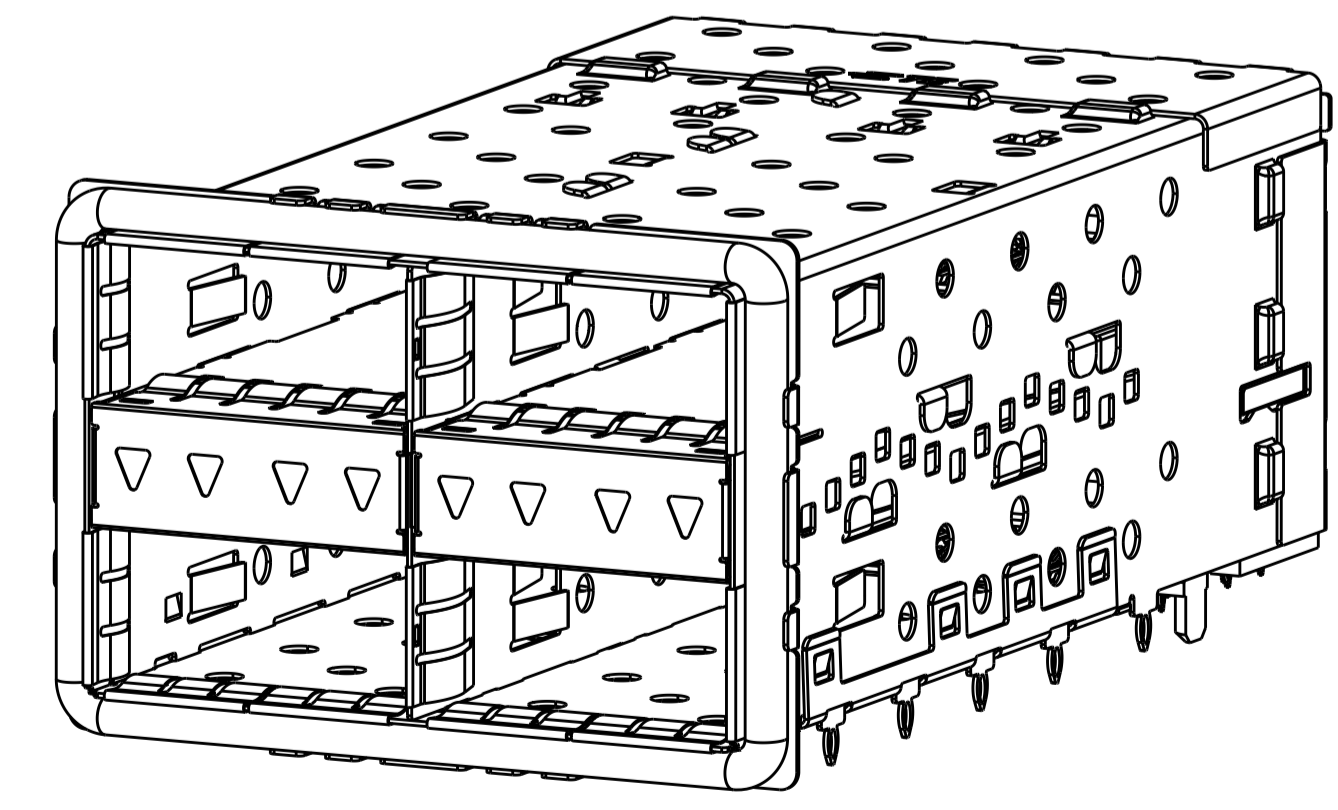
2214574-7



2214574-8



2214574-9



1-2214574-0

THIS DRAWING IS A CONTROLLED DOCUMENT.		OWN: ROBERT GAN 20APR2013	TE Connectivity
		CHK: JASON YANG 20APR2013	
		APVD: ALEX CAI 20APR2013	NAME: CAGE AND PT CONNECTOR ASSEMBLY WITH EMI GASKET, PRESS FIT, 2X2, STACKED QSFP+
DIMENSIONS:		PRODUCT SPEC	
TOLERANCES UNLESS OTHERWISE SPECIFIED:		108-127010	
APPLICATION SPEC		114-32020	
MATERIAL:		WEIGHT:	RESTRICTED TO:
FINISH:		SIZE: A1	CAGE CODE: 00779
		DRAWING NO: 2214574	SCALE: 4:1
		CUSTOMER DRAWING	SHEET 4 OF 4