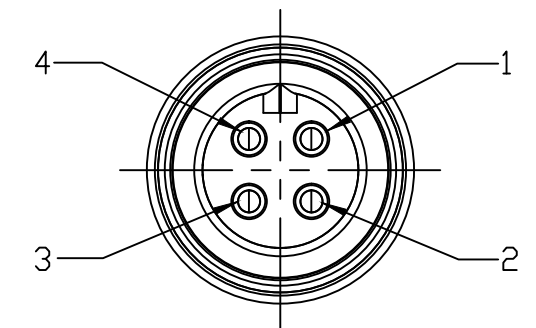
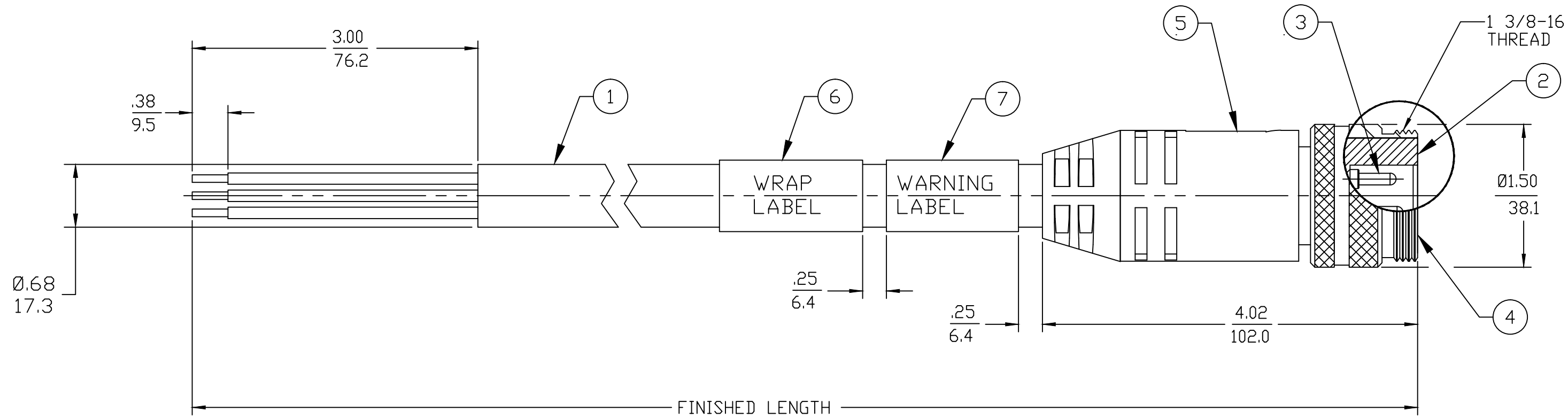
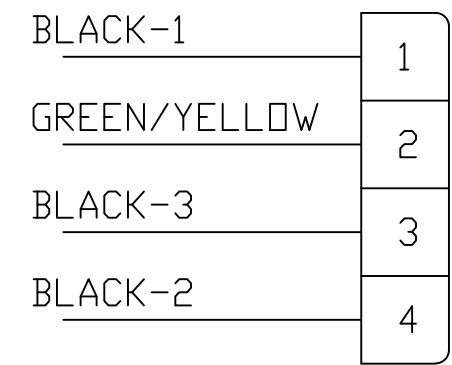


PART NO.	ENGINEERING NO.	FINISHED LENGTH
1300630303	C04006A77M080	8.0M [26' 2"]

CHART



MALE FACE VIEW



WIRING DIAGRAM

NOTES:

1. MATERIAL: AS NOTED
2. FINISH: AS NOTED
3. ELECTRICAL:  
VOLTAGE: 500V PER IEC60664  
600V PER UL2237  
CURRENT: 32A
4. TEMP RATING: -20°TO +90°C
5. PROTECTION: IP67 (WHEN MATED)
6. ALL DIMS ARE FOR REFERENCE UNLESS NOTED OTHERWISE

PART NUMBER LEGEND

C04006A77M080

CABLE TYPE: 10 AWG TC ER, SHLD BLACK

FINISHED LENGTH:

- M001= .1M
- M010= 1.0M
- M100= 10.0M

CABLE LENGTH TOLERANCES	
>.3M [1FT]:	+19mm-0 [ +.75in-0]
.3 - .9M [1 - 3FT]:	+44.5mm-0 [+1.75in-0]
.9 - 1.8M [3 - 6FT]:	+55.6mm-0 [+2.19in-0]
1.8 - 3.7M [6 - 12FT]:	+88.9mm-0 [+3.50in-0]
3.7 - 7.3M [12 - 24FT]:	+165.1mm-0 [+6.50in-0]
7.3-14.6M [24 - 48FT]:	+317.5mm-0 [+12.50in-0]
14.6 - 30.5M [48-100FT]:	+622.3mm-0 [+24.50in-0]
OVER 30M [100FT]	+2% OF FINISHED LENGTH

7	WARNING LABEL
6	WRAP LABEL
5	OVERMOLD
4	QC COUPLING NUT, MALE THREAD
3	QC CONTACT PIN, 10 AWG
2	QC INSERT, MALE, 4P
1	CABLE, 10/4 TC-ER
ITEM	DESCRIPTION

RELEASED EC NO: IFC2018-0008 DRWN: RSTONE 2017/07/07 CHKD: --- APPR: BWOODMAN2017/07/13	QUALITY SYMBOL
	<p>▽=0</p> <p>▽C=0</p>
DESCRIPTION	REV
A	

GENERAL TOLERANCES (UNLESS SPECIFIED)	
	mm INCH
4 PLACES	±--- ±---
3 PLACES	±--- ±.005
2 PLACES	±0.13 ±.01
1 PLACE	±0.3 ±---
ANGULAR ±1°	
DRAFT WHERE APPLICABLE MUST REMAIN WITHIN DIMENSIONS	

DIMENSION STYLE	
IN/MM	
DRAWN BY	DATE
RSTONE	2017/07/07
CHECKED BY	DATE
---	---
APPROVED BY	DATE
BWOODMAN	2017/07/13
MATERIAL NO.	
---	
SIZE	
C	

SCALE	DESIGN UNITS	THIRD ANGLE PROJECTION	
---	INCH		
TITLE			
QC MALE CORD ASSY STRAIGHT, 4 POLE 10/4 SHIELDED			
MOLEX INCORPORATED		SHEET NO. 1 OF 1	
DOCUMENT NO. SD-130063-008			
THIS DRAWING CONTAINS INFORMATION THAT IS PROPRIETARY TO MOLEX INCORPORATED AND SHOULD NOT BE USED WITHOUT WRITTEN PERMISSION			