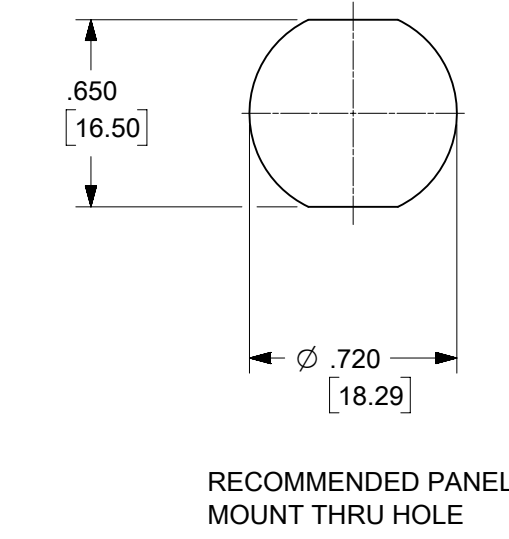
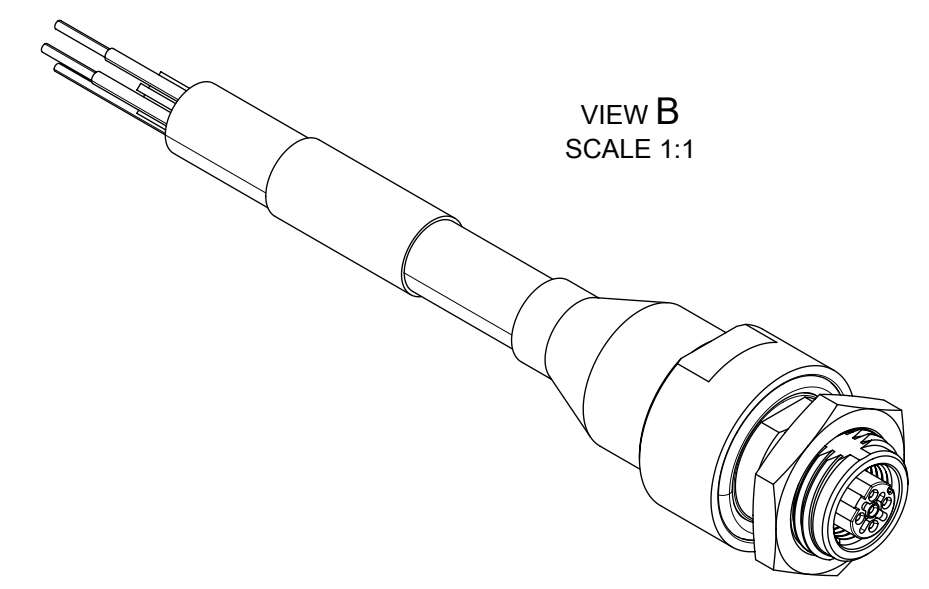
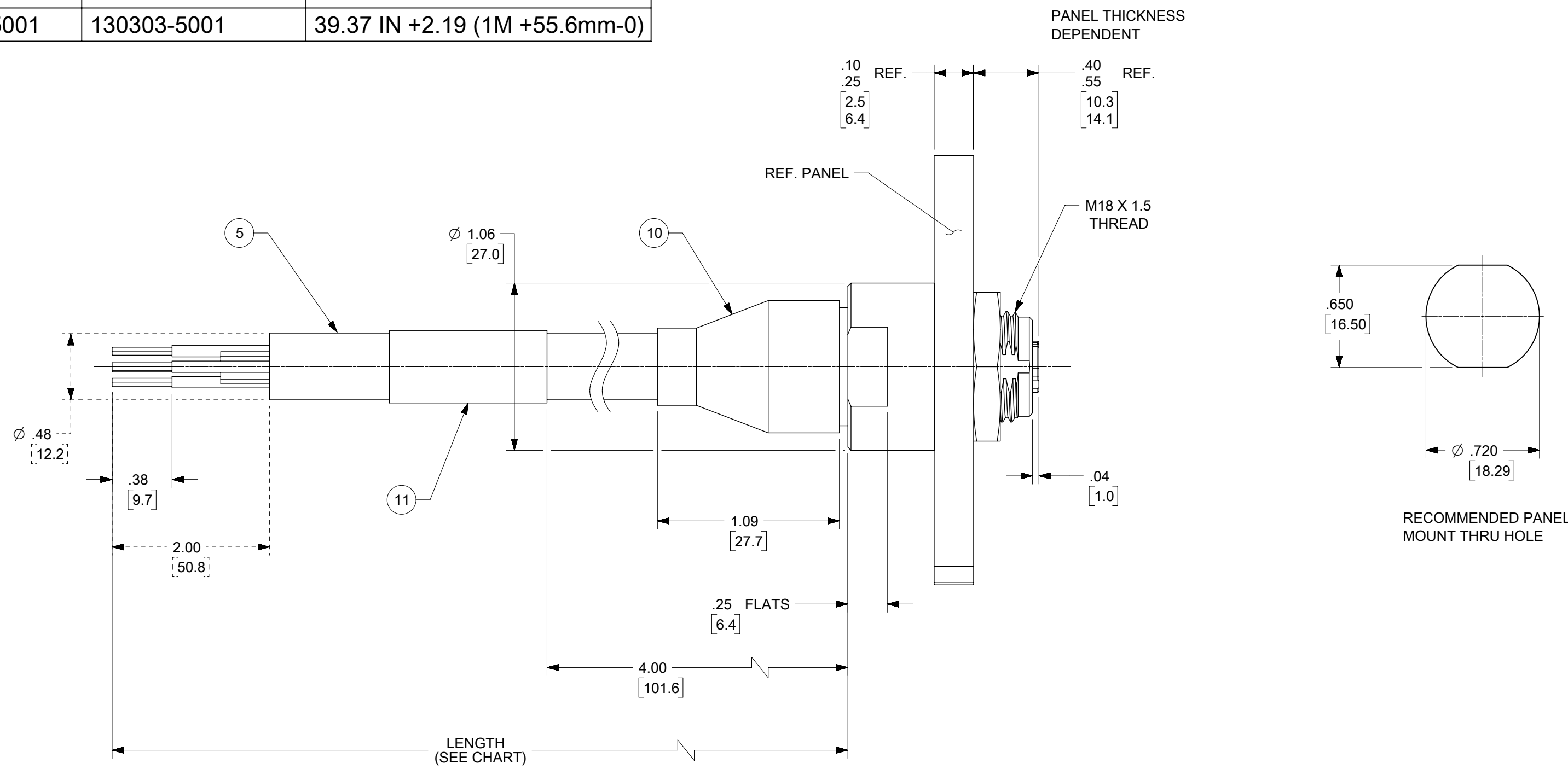
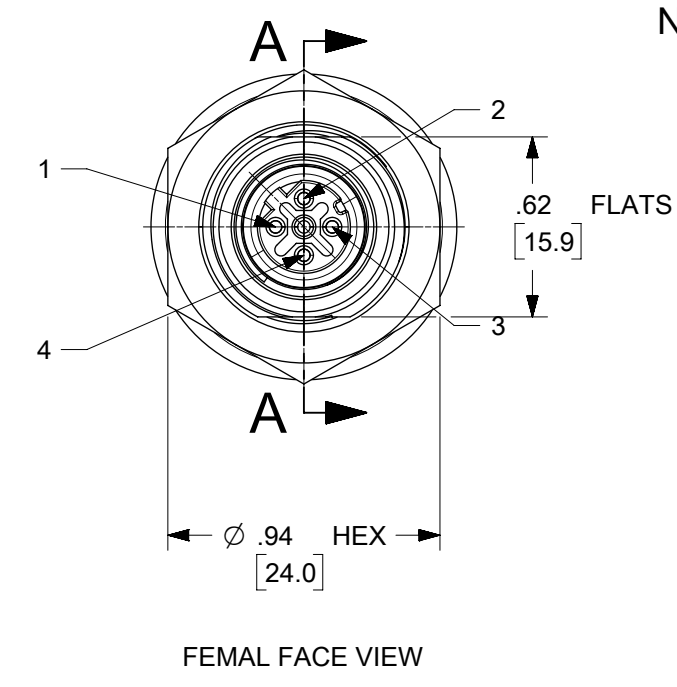
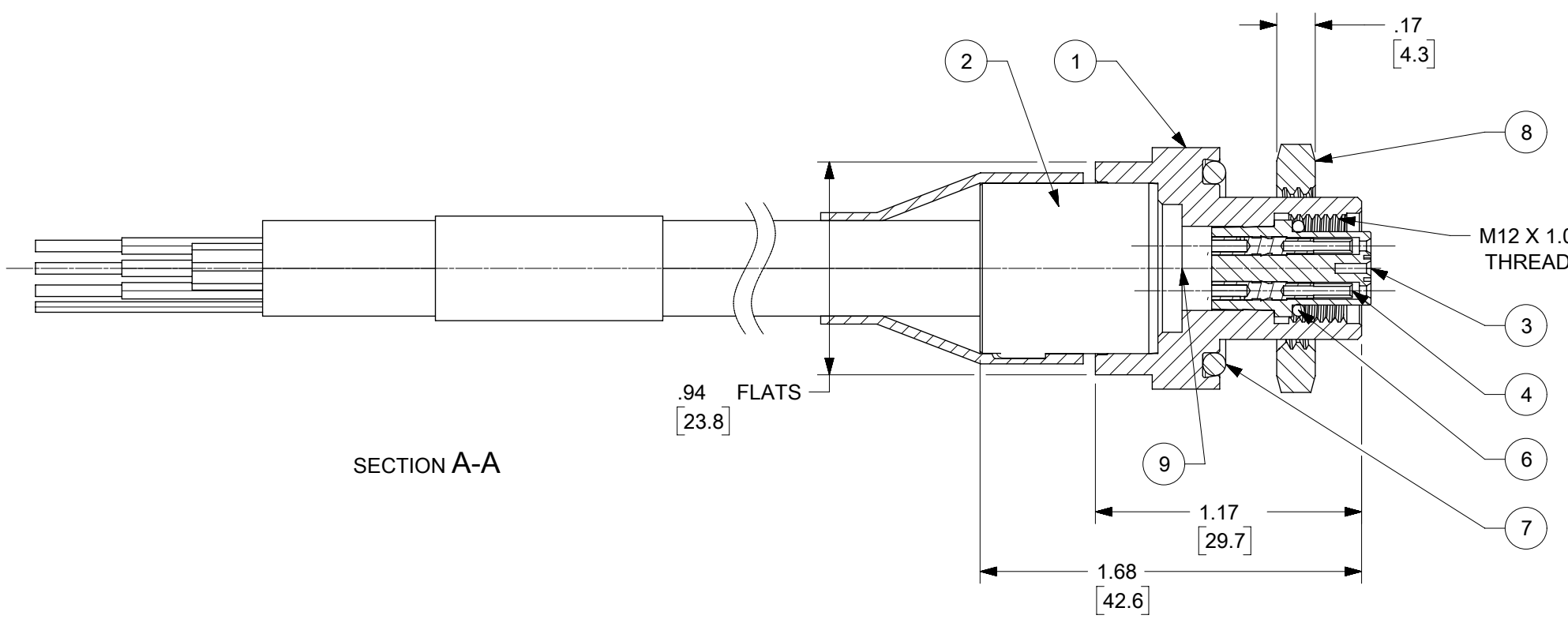


MATERIAL NO.	ENGINEERING NO.	LENGTH
1303035001	130303-5001	39.37 IN +2.19 (1M +55.6mm-0)



- NOTES:
1. MATERIAL: AS NOTED
 2. FINISHES: AS NOTED
 3. ELECTRICAL RATING:
VOLTAGE: 125V
CURRENT: 1.5 AMPS
 4. PANEL NUT TORQUE: 10 FT. LBS.
 5. MATES WITH: M12 MALE D-CODE
 6. DIMS SHOWN ARE FOR REFERENCE UNLESS NOTED OTHERWISE



YELLOW	1
WHITE	2
ORANGE	3
BLUE	4
DRAIN	

RECEPTACLE SHELL

WIRING DIAGRAM

ITEM	DESCRIPTION	MATERIAL	FINISH
11	WRAP LABEL	VINYL	BLACK YELLOW
10	SHRINK SLEEVE	SEMI RIGID ELASTOMER	BLACK
9	POTTING MATERIAL	ENCAPSULANT	
8	PANEL NUT	ST. STEEL	PASSIVATED
7	O-RING, PANEL SEAL	VITON	BROWN
6	O-RING, MATING SEAL	VITON	RED
5	CABLE, 18AWG, 4/C, SHIELDED	XLE INSULATION	BLACK
4	CONTACT SOCKET	Cu ALLOY	GOLD PLATED
3	INSULATOR, D-CODE, ANTI-ROTATIONAL	NYLON	BLACK
2	RECEPTACLE SLEEVE	ST. STEEL	PASSIVATED
1	RECEPTACLE SHELL, ANTI-ROTATIONAL	ST. STEEL	PASSIVATED

SYMBOLS	THIS DRAWING CONTAINS INFORMATION THAT IS PROPRIETARY TO MOLEX ELECTRONIC TECHNOLOGIES, LLC AND SHOULD NOT BE USED WITHOUT WRITTEN PERMISSION			
	DIMENSION UNITS	SCALE	CURRENT REV DESC: REDRAWN AND REVISED	
▽ = 0	HYBRID	1.5:1		
▽ = 0	GENERAL TOLERANCES (UNLESS SPECIFIED)			
▽ = 0		MM	INCH	
▽ = 0	4 PLACES	±	±	EC NO: 173756
▽ = 0	3 PLACES	±	± 0.005	DRWN: RSTONE 2018/03/16
▽ = 0	2 PLACES	± 0.13	± 0.01	CHK'D: MZIELINSKI 2018/03/21
▽ = 0	1 PLACE	± 0.3	±	APPR: BWOODMAN 2018/04/05
▽ = 0	0 PLACES	±	±	INITIAL REVISION:
▽ = 0	ANGULAR TOL	± 2.0 °		DRWN: R. STONE 2010/05/11
▽ = 0	DRAFT WHERE APPLICABLE MUST REMAIN WITHIN DIMENSIONS			APPR: JFMURPHY 2010/05/20
▽ = 0	THIRD ANGLE PROJECTION		DRAWING	SERIES
			C-SIZE	130303

molex			
MIC RECEPTACLE ASSEMBLY HD, FEMALE, D-CODE, M12 M18 MTG, WITH CABLE			
PRODUCT CUSTOMER DRAWING			
DOCUMENT NUMBER	DOC TYPE	DOC PART	REVISION
SD-130303-007	PSD	001	C
MATERIAL NUMBER	CUSTOMER	SHEET NUMBER	
	GENERAL MARKET	1 OF 1	