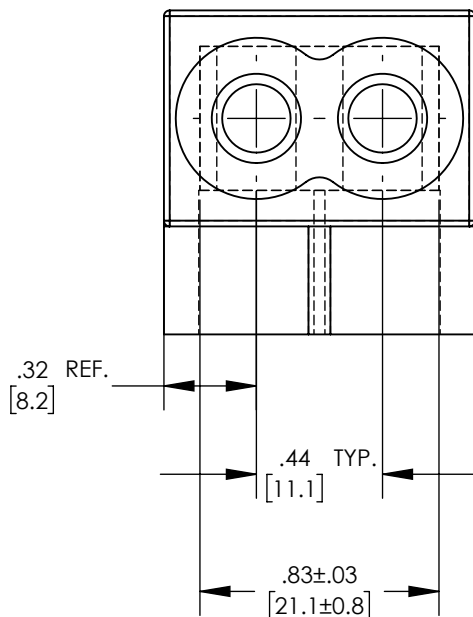
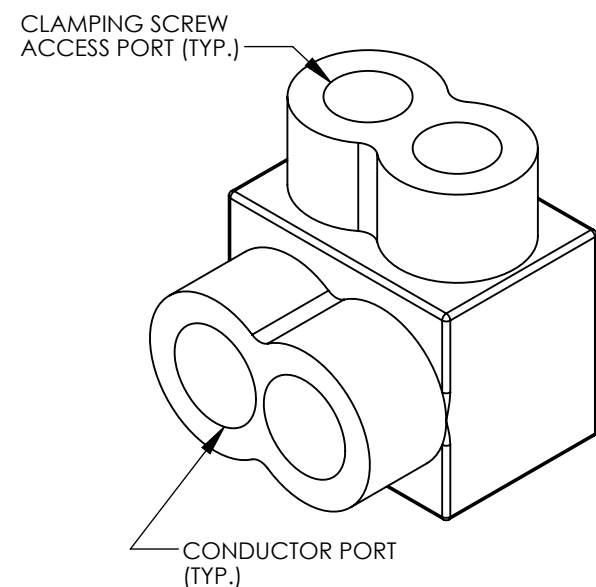


PART NUMBER	CONDUCTOR RANGE	HEX KEY	WIRE STRIP LENGTH	SCREW QTY.	CAP (SCREW PORT) QTY.	CAP (WIRE PORT) QTY.
BLKPSB4-2S-12	#4 - #14 STR #10 - #14 SOL	1/8	.56 [14.2]	2	2	2

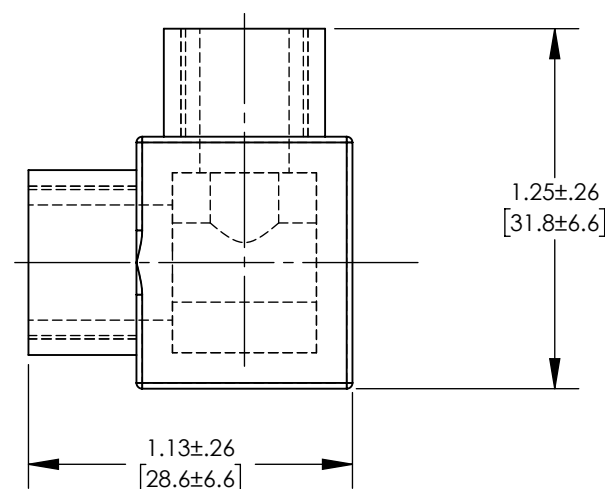
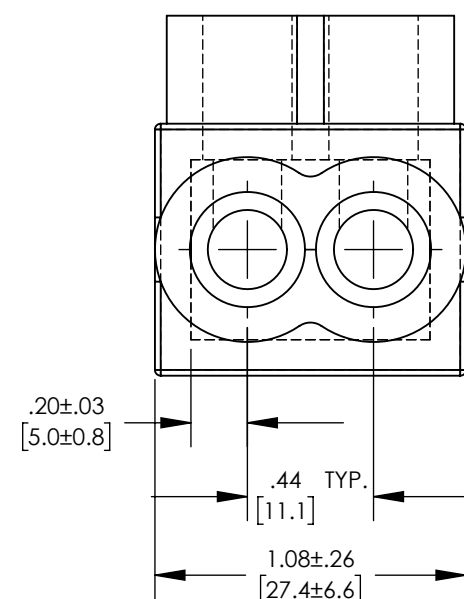


TWO PORT CONNECTOR BLOCK SHOWN WITH PLASTIC CLOSURE PLUGS REMOVED.



NOTES:

1. UL486A-UL486B LISTED/CSA CERTIFIED C22.2 No. 65, DUAL RATED AL9CU FOR ALUMINUM OR COPPER CONDUCTORS. MEETS OR EXCEEDS ANSI C119.4
2. VOLTAGE RATING: 600 V. MAX BUILDING WIRE, 1000 V. MAX. IN SIGNS & FIXTURES.
3. TEMPERATURE RATING: 90° C (AL9CU).
4. CONNECTOR BLOCK BODY MADE FROM ALUMINUM. CONDUCTOR PORTS ARE PREFILLED WITH AN OXIDE INHIBITING COMPOUND.
5. CONNECTOR TO INCLUDE ZINC PLATED STEEL CLAMPING SCREWS FOR EACH CONDUCTOR PORT.
6. INSULATION MATERIAL IS BLACK PVC.
7. INSULATION MATERIAL HAS A UL94V-0 FLAME RATING.
8. INSULATION MATERIAL HAS A UV-1 RATING.
9. CONNECTOR RATED FOR INDOOR USE ONLY.
10. CLAMPING SCREW ACCESS PORTS AND ALL WIRE ENTRY PORTS PROVIDED WITH REMOVEABLE PLASTIC CLOSURE PLUGS.
11. CLOSURE PLUG MATERIAL IS A BLACK LDPE.
12. CLOSURE PLUG MATERIAL DOES NOT HAVE A UV RATING OR FLAME RATING.
13. SEE PACKAGE LABEL FOR TIGHTENING TORQUE SPECIFICATIONS.
14. ONLY ONE CONDUCTOR PER PORT ALLOWED.
15. DIMENSIONS IN BRACKETS ARE MILLIMETERS.
16. PKG. QTY. = 12



REV	DATE	BY	CHK	APR	DESCRIPTION	ECN
03	8/16	JHNU	BKR	RGB	REVISED NOTE 7: UL94V-0 REVSIED NOTE 12: ADDED UV RATING ADDED UV-1 RATING NOTE ADDED INDOOR USE ONLY NOTE	13J051CX-DC
02	1/16	JHNU	BKR	RGB	REVISED NOTE 5: ZINC PLATED STEEL WAS TIN PLATED ALUMINUM	13J051CX-DC
01	1/16	JHNU	BKR	RGB	ADDED PACKAGING QTY. TO PART NUMBER	13J051CX-DC
00	12/15	JHNU	BKR	RGB	DRAWING RELEASED	13J051CX-DC

TITLE MULTI-TAP BLACK INSULATED CONNECTOR, SINGLE SIDED BLKPSB4-2S SERIES CUSTOMER DRAWING						
ITEM REVISION NAME		13J051CX/03				
DATASET FILE NAME		13J051CX-DC/03.SLDDRW				
UNLESS OTHERWISE SPECIFIED, DIMENSIONAL TOLERANCES ARE: IN [mm]						
.X ±		.XXX ±		MATERIAL		
.XX ± .02 [0.5]		ANGLES ±		SEE NOTES		
				THIRD ANGLE PROJECTION		
DRAWN BY		DATE		CHK		SCALE
JHNU		12/15		RGB		N/A
DRAWING NUMBER						13J051CX-DC
SHEET 1 OF 1						SIZE B