

REFERENCE SPECIFICATIONS

-NFC 93425 (in compliance with HE 507)

PHYSICAL CHARACTERISTICS

- INSULATOR MATERIAL: THERMOPLASTIC ,UL94V0
- CONTACT MATERIAL: BRASS
- ACCESSORIES: BRASS
- SHELLS: STEEL

ELECTRICAL CHARACTERISTICS

- NOMINAL CURRENT: 40A
- CONTACT RESISTANCE: <= 7.3 mOhms
- CONTACT/CONTACT : >=1000 V
- CONTACT/GROUND : >=1200 V
- INSULATION RESISTANCE: >=5000 MOhms

- CLIMATIC CATEGORY: 55/125/21
TEMPERATURE RANGE -55°C TO +125°C
DAMP HEAT STEADY STATE 21 DAYS
SALT SPRAY 24 HOURS

- RETENTION AGAINST TORQUE: - Threaded insert: 0.7 N.m minimum
- Female screw : 0.5 N.m minimum

PRESS FIT PERFORMANCES

PRESS FIT CONTACTS	
INSERTION FORCE	<= 200 N Average insertion 160N
EXTRACTION FORCE	>= 30 N

NOTE RoHS INFORMATION

- The "LF" products meet european union Directives and other country regulations as described in GS-22-008.
- Termination plating spec:
 - Ni 1.27µm+Sn 0.5 to 1.5µ(pure bright)
- Active area plating spec:
 - Ni + Gold
- Shell plating :2 to 4µm Cu + Ni + 3 to 10µm Sn(pure bright)
- Accessories: Sn pure bright + nickel
- Packaging spec: See GS-14-920

DBL5W5S80C5M40LF

Series

Shell size: **E A B C**
(see sheet 3)

Front accessory definition
(see sheet 2)

- blank :without accessory
- L :threaded insert M3
- O :threaded insert UNC 4-40
- V :female screw UNC 4-40

Layout of contacts (see sheet 3)

Contacts

- S :Socket

Termination type

- 80C Right angle/US foot print

Plating

- 5 200 matings/unmatings
- 6 500 matings/unmatings

PCB accessories definition(see sheet 2)

- M Metal brackets
- A Without accessory

Power contacts

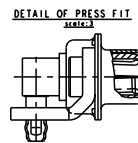
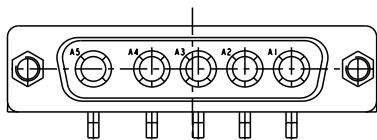
- 40 :Fitted with power contacts 40 Amp.

See note RoHS

TABLE 1:PCB HOLE DIAMETERS

P.C.B HOLE DEFINITION	SnPb holes for CONTACTS		Sn holes for CONTACTS		holes ACCESSORIES
	DRILL DIAMETER	Ø3.22 REF(NOTE 3)	Ø3.22 REF(NOTE 3)	Ø3.19-3.25	
(NOTE 1 AND 2)	DRILLED HOLE	Ø3.19-3.25	Ø3.19-3.25	Ø3.19-3.25	Ø3.10±0.10
	COPPER PLATING	25µ MINI (RECOMMENDED 50µ MAXI)	25µ MINI (RECOMMENDED 50µ MAXI)	25µ MINI (RECOMMENDED 50µ MAXI)	
	TIN-LEAD PLATING	15µ MAXI (RECOMMENDED 5µ MINI)			
	TIN PLATING		0.8 to 1,2µ		
	FINISH HOLE (AFTER REFLOW)	Ø 3.02-3.20	Ø3.08-3.20		

- NOTE-1:THESE DIMENSIONS MUST BE RESPECT TO SECURE PRESS-FIT PIN PERFORMANCES.
- NOTE-2: ACCORDING TO IEC-352-5 SPEC.
- NOTE-3: MAJOR REQUIREMENT FOR PRESS FIT PIN PERFORMANCE



5W5 FOR EXAMPLE

www.fciconnect.com		surface	tolerance std	projection	mm
		ISO 1302	ISO 406 ISO 1101	mm	
		TOLERANCES UNLESS OTHERWISE SPECIFIED			
Dr	M PESSON	11/10/05	ANGULAR	LINEAR	size A2 Scale 2:1
Eng	11/10/05	P LEGARE	0.X	±0.3	
Chr			0.XX	±0.1	
Appr			0.XXX	±0.05	ECN LS07-0273
		Product family		- Spec ref	
FCI		SUB FEMALE DW US foot print		ang no	Rev.
		full power right angled solder		C01-8639-2317	C
		catalog no		Y	sheet 1 of 5

rev	ccn no	dr	date
B	LS06-0208	LGO	2006/12/13
C	LS07-0273	MPE	2007/11/05
-	-	-	-
-	-	-	-
-	-	-	-
-	-	-	-

1 2 3 4 5 6 7 8

A

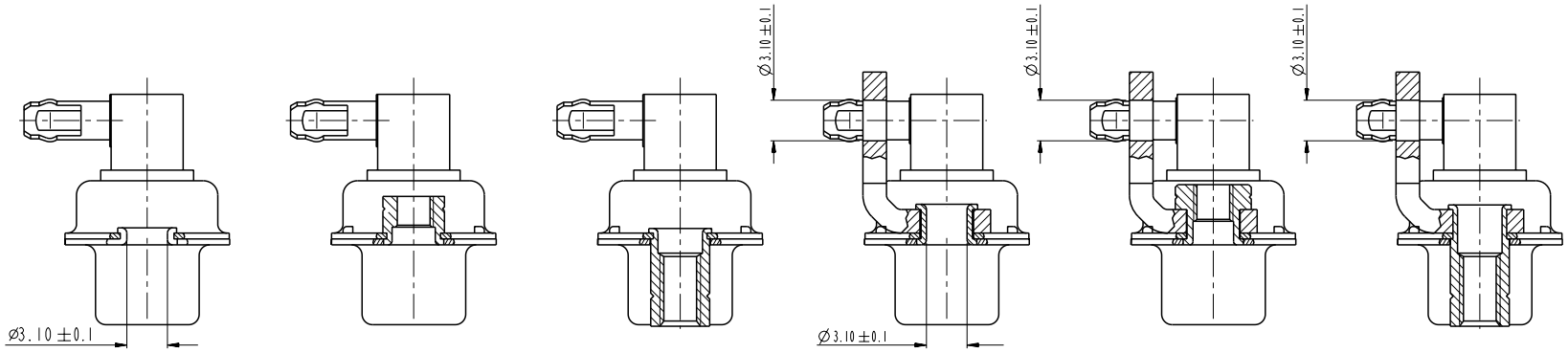
B

C

D

E

F



FRONT ACCESSORY	Blank Without	L insert M3 O insert UNC 4.40	V insert UNC 4.40	Blank Without	L insert M3 O insert UNC 4.40	V insert UNC 4.40
PCB ACCESSORIES	A Without	A Without	A Without	M Metal brackets	M Metal brackets	M Metal bracket

Copyright FCI.
FCI

www.fciconnect.com		surface -	tolerance std	projection	mm
		ISO 1302	ISO 406 ISO 1101		
TOLERANCES UNLESS OTHERWISE SPECIFIED					
Dr	M PESSON	11/10/05	ANGULAR	0.X ±0.3	size A2 Scale 2:1
Eng	11/10/05	P LEGARE	LINEAR	0.XX ±0.1	
Chr			0° ±2°	0.XXX ±0.05	ECN LS07-0273
Appr			Product family	-	Spec ref
FCI		SUB FEMALE DW US foot print		ang no	Rev.
		full power right angled solder		C01-8639-2317	C
		catalog no		Y	sheet 2 of 5

REV 7 - 2008-04-17

1 2 3 4 5 6 7 8

I 2 3 4 5 6 7 8

A

B

C

D

E

F

PART NUMBER	AMPS	MATINGS/ UNMATINGS	FRONT ACCESSORY	PCB ACCESSORIES
D*xWxS80C5A40LF	40	200	without	without
D*LxWxS80C5A40LF	40	200	insert M3	without
D*OxWxS80C5A40LF	40	200	insert UNC 4.40	without
D*VxWxS80C5A40LF	40	200	female screw UNC 4.40	without
D*xWxS80C5M40LF	40	200	without	metal bracket
D*LxWxS80C5M40LF	40	200	insert M3	metal bracket
D*OxWxS80C5M40LF	40	200	insert UNC 4.40	metal bracket
D*VxWxS80C5M40LF	40	200	female screw UNC 4.40	metal bracket

shell size * LAYOUTS
xWx

E 2V2
A 3V3
A 3W3
B 5W5
C 8W8

PART NUMBER	AMPS	MATINGS/ UNMATINGS	FRONT ACCESSORY	PCB ACCESSORIES
D*xWxS80C6A40LF	40	500	without	without
D*LxWxS80C6A40LF	40	500	insert M3	without
D*OxWxS80C6A40LF	40	500	insert UNC 4.40	without
D*VxWxS80C6A40LF	40	500	female screw UNC 4.40	without
D*xWxS80C6M40LF	40	500	without	metal bracket
D*LxWxS80C6M40LF	40	500	insert M3	metal bracket
D*OxWxS80C6M40LF	40	500	insert UNC 4.40	metal bracket
D*VxWxS80C6M40LF	40	500	female screw UNC 4.40	metal bracket

A

B

C

D

E

F



Copyright FCI.

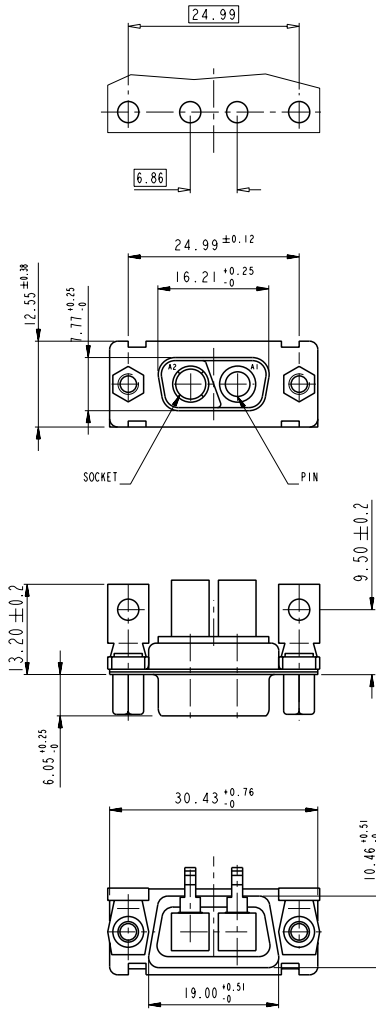
www.fciconnect.com		surface - ISO 1302	tolerance std ISO 406 ISO 1101	projection	mm
TOLERANCES UNLESS OTHERWISE SPECIFIED					
Dr M PESSON	11/10/05	ANGULAR	0.X ±0.3	size A2	Scale 2:1
Eng 11/10/05	P LEGARE	LINEAR	0.XX ±0.1	ECN	LS07-0273
Chr		0° ±2°	0.XXX ±0.05	Product family	Spec ref
Appr					
FCI		SUB FEMALE DW US foot print full power right angled solder		ang no C01-8639-2317	Rev. C
catalog no				Y	sheet 3 of 5

REV 7 - 2008-04-17

I 2 3 4 5 6 7 8

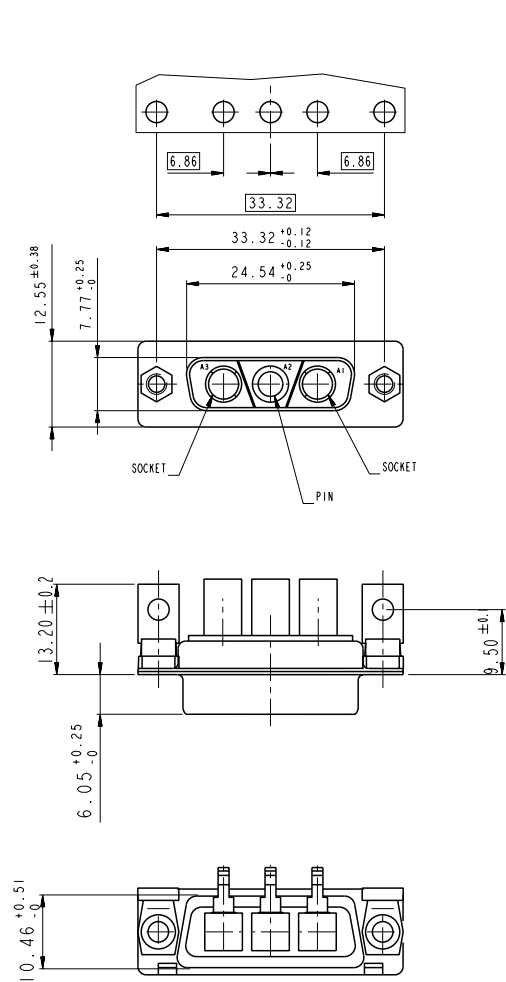
2V2

LAYOUT AND CONNECTOR DIMENSIONS
For PCB hole diameters see table I sheet I



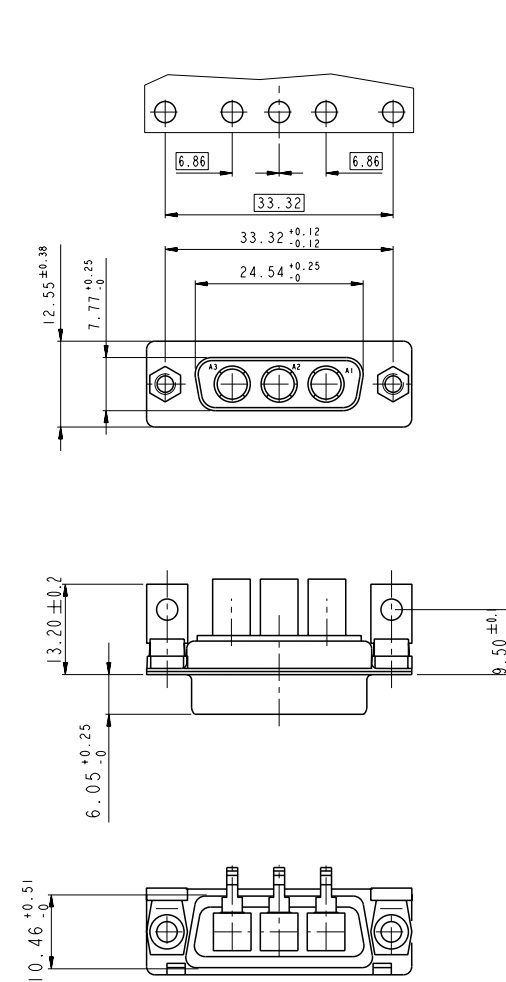
3V3

LAYOUT AND CONNECTOR DIMENSIONS
For PCB hole diameters see table I sheet I

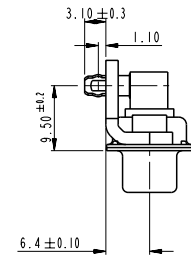


3W3

LAYOUT AND CONNECTOR DIMENSIONS
For PCB hole diameters see table I sheet I



SIDE VIEW FOR ALL LAYOUTS



Copyright FCI.

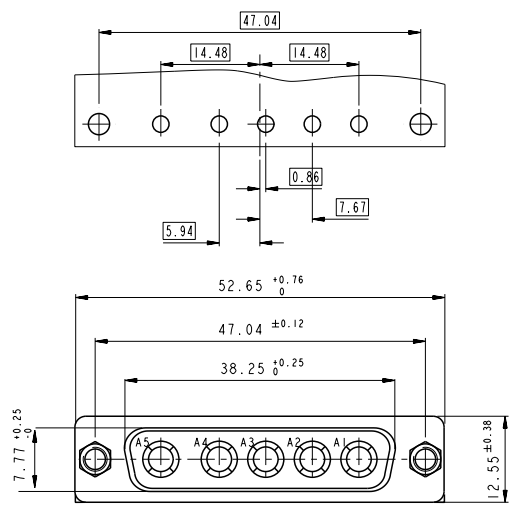
www.fciconnect.com		surface - ISO 1302	tolerance std ISO 406 ISO 1101	projection TOLERANCES UNLESS OTHERWISE SPECIFIED	mm
Dr M PESSON	11/10/05	ANGULAR	0.X ±0.3	size A2	Scale 2:1
Eng 11/10/05	P LEGARE	LINEAR	0.XX ±0.1	ECN	LS07-0273
Chr		0° ±2°	0.XXX ±0.05	Product family	- Spec ref
Appr		Product family		- Spec ref	
FCI		SUB FEMALE DW US foot pr full power right angled solder		Part C01-8639-2317	Rev. C
catalog no		-		Y	sheet 4 of 5

1 2 3 4 5 6 7 8

5W5

LAYOUT AND CONNECTOR DIMENSIONS

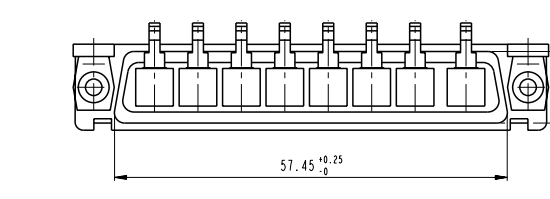
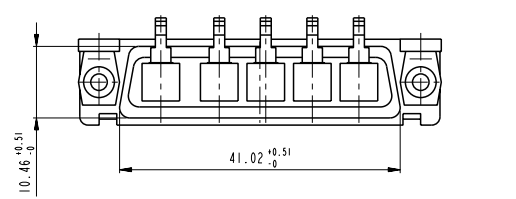
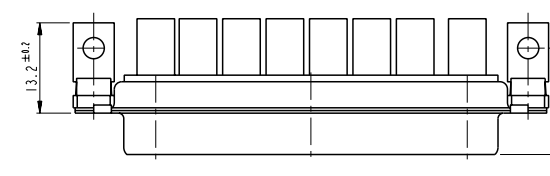
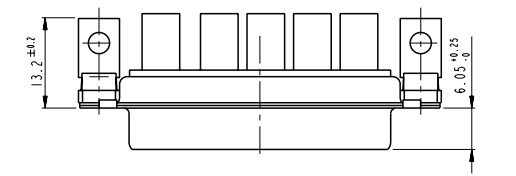
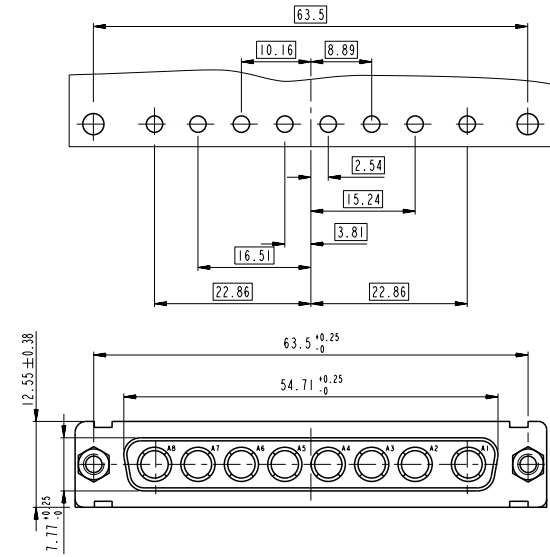
For PCB hole diameters see table 1 sheet 1



8W8

LAYOUT AND CONNECTOR DIMENSIONS

For PCB hole diameters see table 1 sheet 1



Copyright FCI.

www.fciconnect.com		surface - ISO 1302	tolerance std ISO 406 ISO 1101	projection	mm
		TOLERANCES UNLESS OTHERWISE SPECIFIED			
Dr M PESSON	11/10/05	ANGULAR	0.X ±0.3	size A2	Scale 2:1
Eng 11/10/05	P LEGARE	LINEAR	0.XX ±0.1	ECN	LS07-0273
Chr		0° ±2°	0.XXX ±0.05	Spec ref	
Appr		Product family			
FCI		SUB FEMALE DW US foot pr full power right angled solder		Part no C01-8639-2317	Rev. C
catalog no				Y	sheet 5 of 5

REV 7 - 2008-04-17

1 2 3 4 5 6 7 8