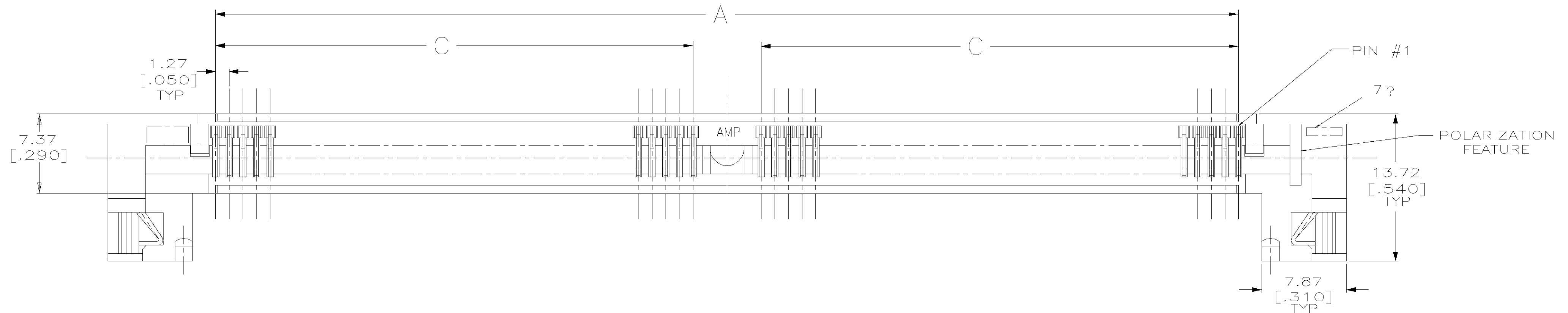
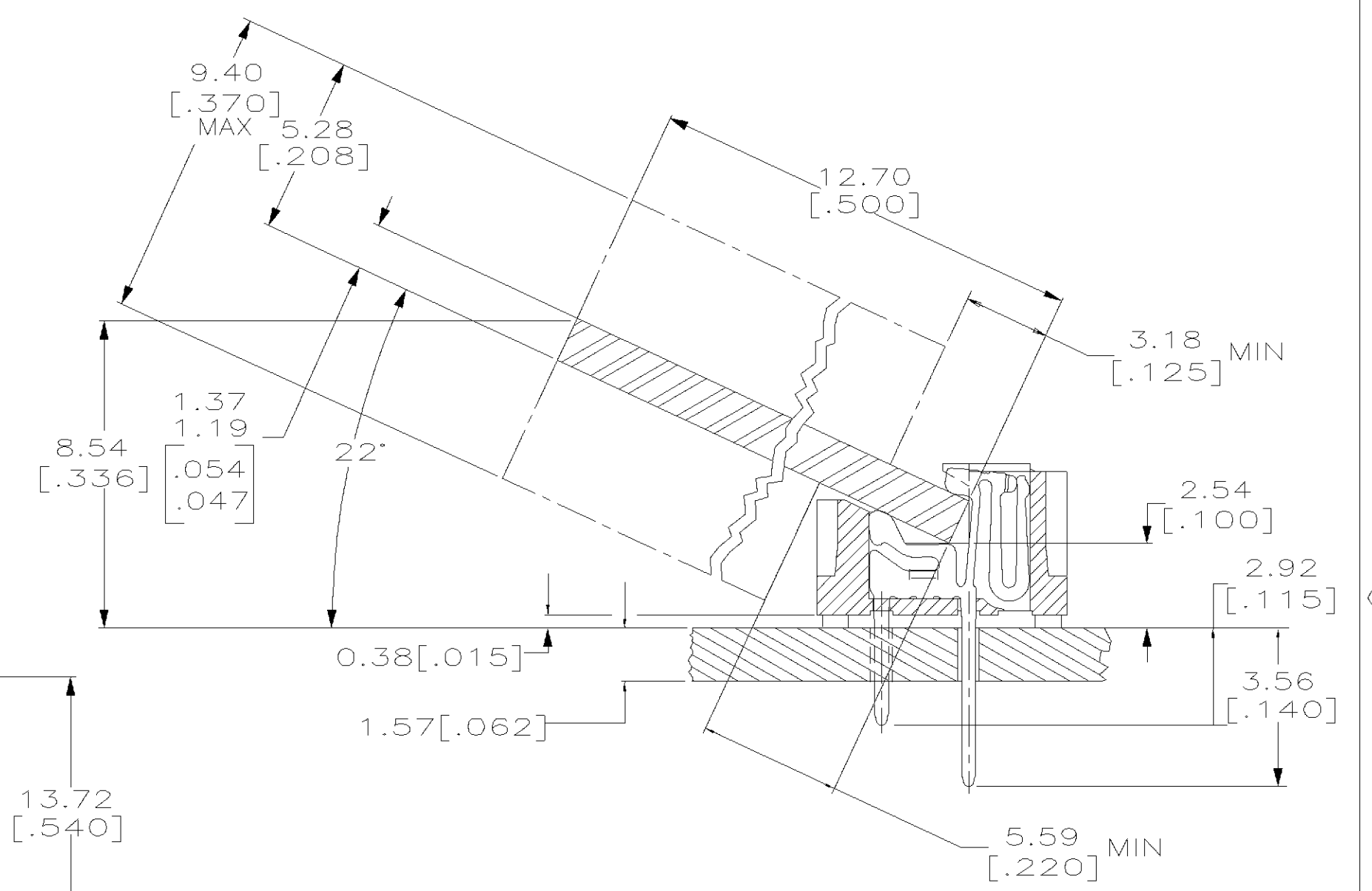
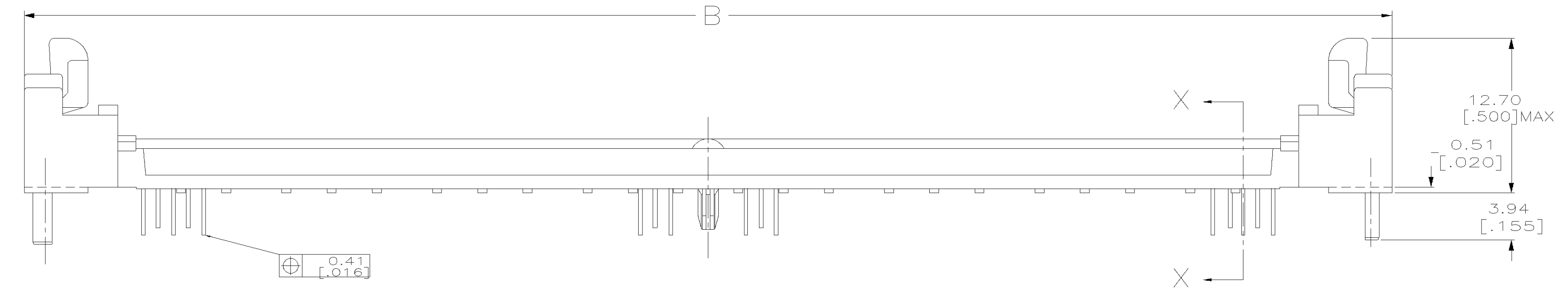


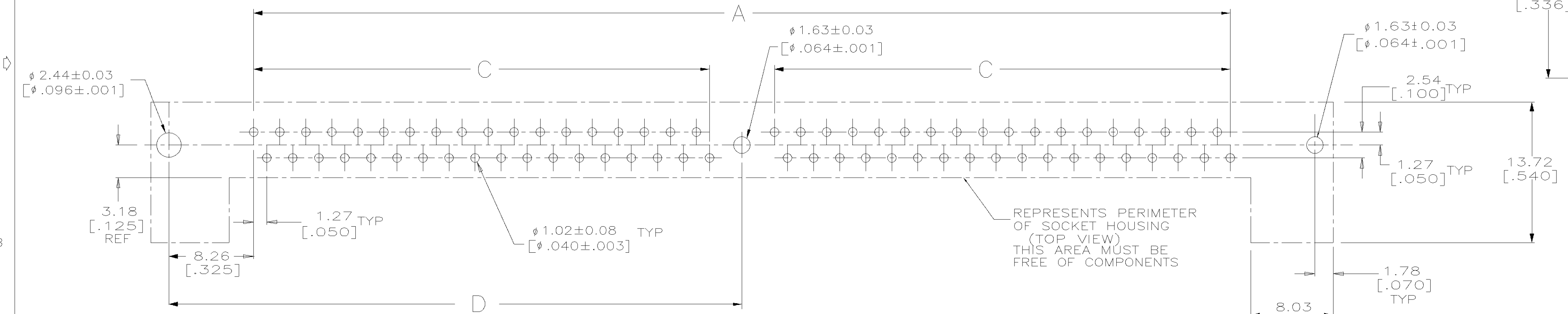
LOC		DIST		REVISIONS				DATE	APPD
AG	53	P	F	ZONE	LTR	DESCRIPTION			
		P				REVISED PER 0440-0185-97	9-11-97	RT	
		R				REV PER 051D-0084-00	17JUL00	KW	



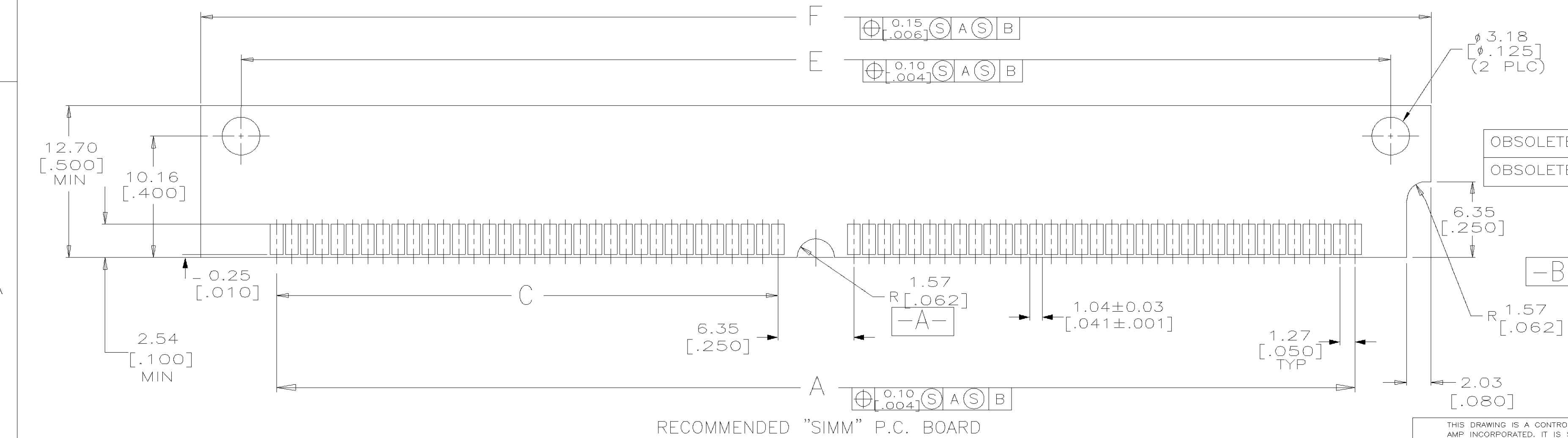
- △ HOUSING-MATERIAL : LIQUID-CRYSTAL-POLYMER.
- △ CONTACT-MATERIAL : PHOS. BRONZE.
- △ LATCH-MATERIAL : STAINLESS STEEL
- △ CONTACT-PLATE: 0.00508[.000200] MIN. TIN/LEAD OVER 0.00127 [.000050] MIN NICKEL.
- 5. IN ADDITION TO THOSE RECOMMENDED "SMM" P.C. BOARD DIMENSIONS AND TOLERANCES SHOWN, ALL JEDEC SPECIFICATIONS APPLY AS SHOWN ON MO-116, ISSUE A.
- 6. RECOMMENDED MATING S.I.M.M. TAB METALLURGY:  
 BASE METAL-COPPER. PLATING TO BE 0.00762[.000300] MIN TIN/LEAD OVER 0.00127[.000050] MIN NICKEL.
- 7? 'S' IDENTIFIER LOCATED APPROXIMATELY AS SHOWN.



SECTION X-X  
 SCALE 5:1  
 (BOARD SHOWN FOR REF ONLY)



RECOMMENDED P.C. BOARD HOLE PATTERN  
 SOCKET SIDE



RECOMMENDED "SMM" P.C. BOARD

118.11[4.650]	111.35[4.384]	60.96[2.400]	49.53[1.950]	125.48[4.940]	105.41[4.150]	80	822134-4
107.95[4.250]	101.19[3.984]	55.88[2.200]	44.45[1.750]	115.32[4.540]	95.25[3.750]	72	822134-3
OBSOLETE 102.87[4.050]	OBSOLETE 96.11[3.784]	OBSOLETE 53.34[2.100]	OBSOLETE 41.91[1.650]	OBSOLETE 110.24[4.340]	OBSOLETE 90.17[3.550]	68	822134-2
OBSOLETE 97.79[3.850]	OBSOLETE 91.03[3.584]	OBSOLETE 50.80[2.000]	OBSOLETE 39.37[1.550]	OBSOLETE 105.16[4.140]	OBSOLETE 85.09[3.350]	64	822134-1
F	E	D	C	B	A	NO. OF POS	PART NO

DO NOT SCALE PRINT. UNLESS SPECIFIED DIMENSIONS IN mm [INCHES] TOLERANCES ON : 2 PLC DEC ± - 3 PLC DEC ± 0.13[.005] ANGLES ± -		DR 2-15-91 K.SALMON	AMP AMP Incorporated Harrisburg, PA 17105-3508
MATERIAL HOUSING... △ CONTACT... △ LATCH... △		CHK 2-18-91 R.MILLER	
FINISH HOUSING... NATURAL CONTACT... △ LATCH... △		APPD 2-18-91 J.LAMBERT	NAME
THIS DRAWING IS A CONTROLLED DOCUMENT FOR AMP INCORPORATED. IT IS SUBJECT TO CHANGE AND THE CONTROLLING ENGINEERING ORGANIZATION SHOULD BE CONTACTED FOR THE LATEST REVISION.		APPD 2-18-91 E.MCCARTHY	CONNECTOR, MICRO-EDGE, .050, LP, TIN PL, W/METAL LATCH
		APPLICATION SPEC	SIZE D
		WEIGHT -	CAGE CODE 00779
			DRAWING NO C-822134
			SCALE 4:1
			SHEET 1 OF 1