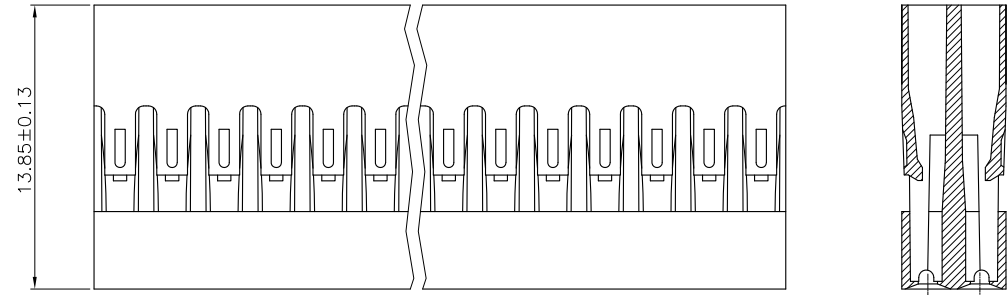


PRODUCT NUMBER
65043-0XX(E)LF

PIN STYLE
SEE SHEET 2

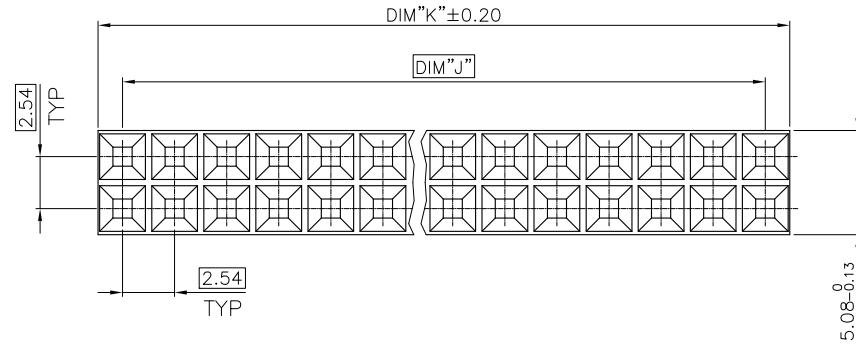
INDICATES THE PRODUCT IS RoHS
COMPLIANT, SEE NOTE 6

65043-YXXLF OR 65043-YXXELF ARE
EXACTLY THE SAME PRODUCTS.
EXTENSION "E" JUST FOR OLD EUROPEAN
DESIGN AND MANUFACTURING SITE



NOTES:

1. MOLDING MATERIAL : MODIFIED POLYPHELYNENE
COLOR BLACK, UL 94 V0
2. LATCH MUST WITHSTAND 18N MIN PULL OUT FORCE
3. STANDARD PACKAGING IN POLYBAGS
4. TERMINALS MUST BE CRIMPED PROPERLY FOR
SATISFACTORY LATCHING :
- FOR CRIMPING INSTRUCTIONS, SEE TA-75 AND TA-295
- FOR TERMINAL APPLICATION SEE TA-531.
PRODUCT SPECIFICATION: BUS-12-067.
5. THIS HOUSING IS INTENDED FOR USE WITH
MINI PV TERMINAL WITH 22-36 GAUGE WIRE
6. RoHs COMPLIANT PRODUCT SPECIFICATIONS :
- MEETS PACKAGING SPECS AS PER GS-14-920
- PRODUCT MEETS EUROPEAN UNION DIRECTIVES
AND OTHER COUNTRY REGULATIONS AS
DESCRIBED IN GS-22-008.
- THE PRODUCT IS NOT INTENDED TO BE EXPOSED
TO A MANUFACTURING SOLDER PROCESS.



mal't code SEE NOTES		surface ISO 1302	tolerance ISO 406 ISO 1101	projection 	product family BERCONN
ltr	ecn no	dr	date	tolerances unless otherwise specified	
BG	V08-0022	LMU	08.01.15	angles	mm scale 5:1
BH	F12-0064	LMU	12.06.08	linear	
BJ	B-14321	LMU	13.03.21	xxx ± 0.05	
		dr	L.MULIN	12.06.08	
		engr	L.MULIN	12.06.08	
		chr			
		appd	JCO	12.06.09	
sheet index	revision sheet	BJ	BH		
		1	2		
title MINI LATCH HOUSING DOUBLE ROW 2.54mm		dwg no 65043		sheet 1 of 2	size A3
type CUSTOMER		Drawing			

PIN STYLE	No. OF POS.	DIM J	DIM K
35	2x02	2.54	4.93
34	2x03	5.08	7.47
33	2x04	7.62	10.01
32	2x05	10.16	12.55
31	2x06	12.70	15.09
30	2x07	15.24	17.63
29	2x08	17.78	20.17
28	2x09	20.32	22.71
27	2x10	22.86	25.25
26	2x11	25.40	27.79
25	2x12	27.94	30.33
24	2x13	30.48	32.87
23	2x14	33.02	35.41
22	2x15	35.56	37.95
21	2x16	38.10	40.49
20	2x17	40.64	43.03
19	2x18	43.18	45.57
18	2x19	45.72	48.11
17	2x20	48.26	50.65
16	2x21	50.80	53.19
15	2x22	53.34	55.73
14	2x23	55.88	58.27
13	2x24	58.42	60.81
12	2x25	60.96	63.35
11	2x26	63.50	65.89
10	2x27	66.04	68.43
09	2x28	68.58	70.97
08	2x29	71.12	73.51
07	2x30	73.66	76.05
06	2x31	76.20	78.59
05	2x32	78.74	81.13
04	2x33	81.28	83.67
03	2x34	83.82	86.21
02	2x35	86.36	88.75
01	2x36	88.90	91.29



FCIconnect.com

Copyright FCI

mal't. code				surface		tolerance		projection		product family		
SEE NOTES				ISO 1302		ISO 406 ISO 1101				BERCONN		
ltr	ecn no	dr	date	tolerances unless otherwise specified								
BG	V08-0022	HTB	08.01.15	angles	linear	.x ±0.3				title		
BH	F12-0064	LMU	12.06.08			.xx ±0.13						
						.xxx ±0.05		scale 5:1		MINI LATCH HOUSING DOUBLE ROW 2.54mm		
				dr	L.MULIN	11.01.10				dwg no		
				engr	L.MULIN	11.01.10				sheet 2 of		size
				chr						65043		A3
				appd	L.MU	11.01.10		type		CUSTOMER Drawing		
sheet index	revision sheet											