

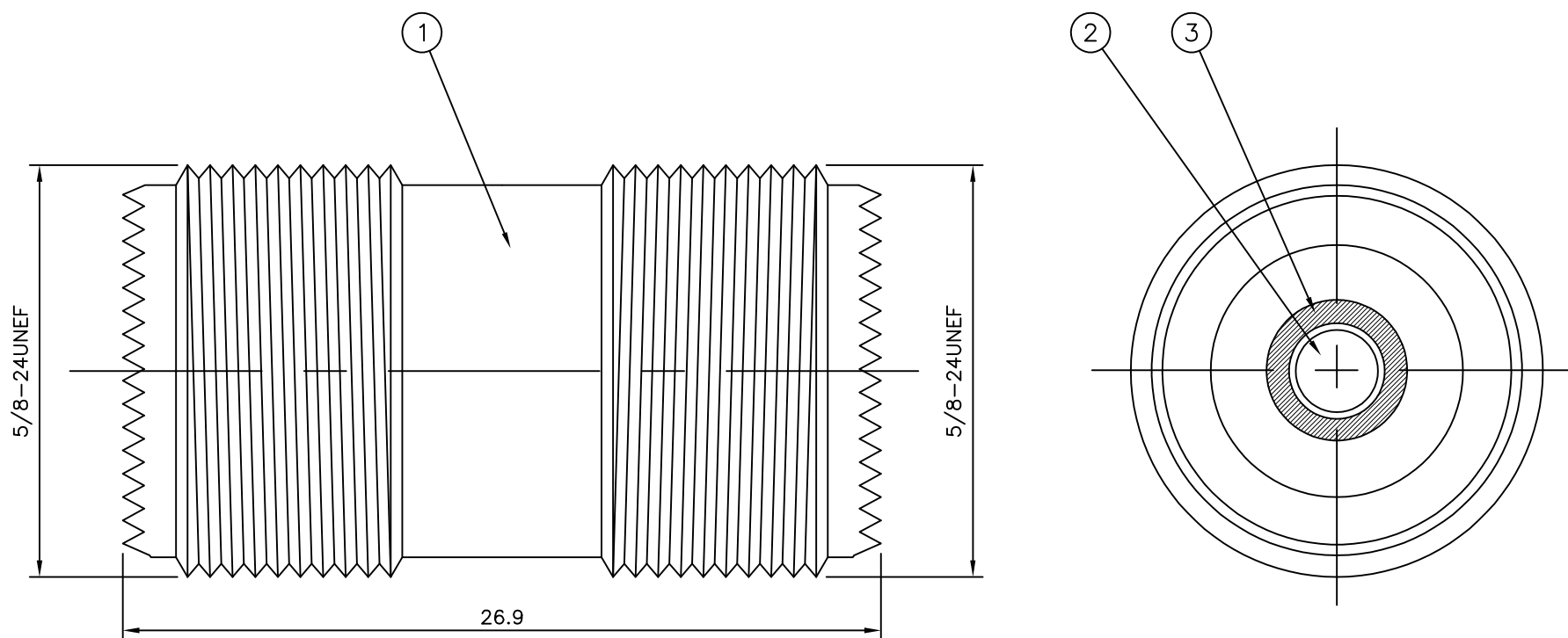
THIS DRAWING IS UNPUBLISHED. RELEASED FOR PUBLICATION JAN , 2007.

© COPYRIGHT 2007 BY TYCO ELECTRONICS CORPORATION. ALL RIGHTS RESERVED.

LOC	DIST	REVISIONS					
E	B	P	LTR	DESCRIPTION	DATE	DWN	APVD
			B	REVISED PER ECO-09-003420	19FEB09	ANS	BOB

NOTES

- 1 SINGLE PACK IN ACCORDANCE WITH AMP SPEC 107-3275
- 2 100 TRAY PACK IN ACCORDANCE WITH AMP SPEC 107-3275
- 3 NICKEL PLATING
- 4. FOR TECHNICAL DATA REFER TO YOUR LOCAL TYCO ELECTRONICS SALES OFFICE
- 5. ALL DIMENSIONS ARE NOMINAL FOR REFERENCE ONLY UNLESS OTHERWISE STATED



QTY	QTY	QTY	QTY	QTY	MATERIAL	DESCRIPTION	ITEM
1	1				POM	INSULATOR	3
1	1				BRASS	CONTACT	2
1	1				ZINC ALLOY	BODY	1
5	15	0					

THIS DRAWING IS A CONTROLLED DOCUMENT.		DWN ANSON MA 14FEB09	Tyco Electronics Corporation Kunshan, Jiangsu, PRC 215312				
DIMENSIONS: mm		CHK RITA ZUO 14FEB09	NAME UHF STRAIGHT ADAPTER J-J NICKEL PLATED				
TOLERANCES UNLESS OTHERWISE SPECIFIED:		APVD BOB ZHAO 14FEB09	PRODUCT SPEC 108-112000				
0 PLC ± -		APPLICATION SPEC -		SIZE A3	CAGE CODE 00779	DRAWING NO C-1814817	RESTRICTED TO -
1 PLC ± 0.3		MATERIAL SEE TABLE		CUSTOMER DRAWING		SCALE NTS	SHEET 1 OF 1
2 PLC ± -		FINISH -		REVISIONS		REV B	
3 PLC ± -							
4 PLC ± -							
ANGLES ± -							