

NOTE:

1.MATERIAL:
HOUSING:HIGH TEMPERATURE NYLON,GLASS FIBRE FILLED,UL94-V0,COLOR:BLACK
TERMINAL:PHOSPHOR BRONZE
METAL SHELL:DEEP DRAWN STEEL

2.PLATING:
TERMINAL:
(a)GLOD FIASH ON THE CONTACT AREA,AND 75MICROINCH MINIMUM PURE TIN ON SOLDER TAIL, UNDER 50MICROINCH MINIMUM Ni PLATE.

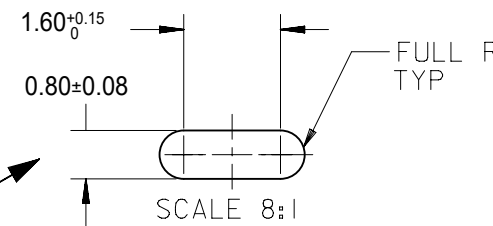
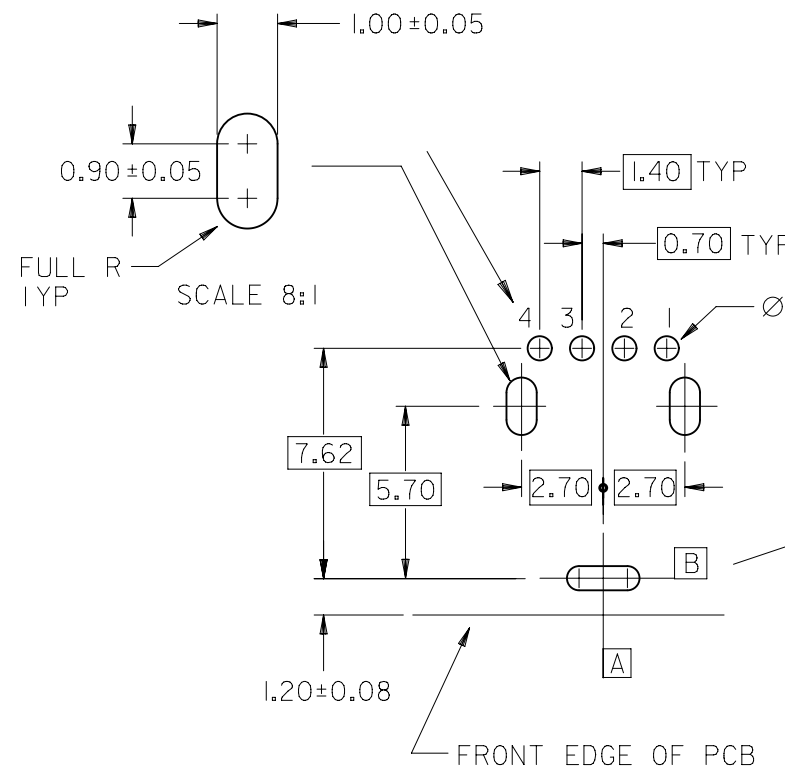
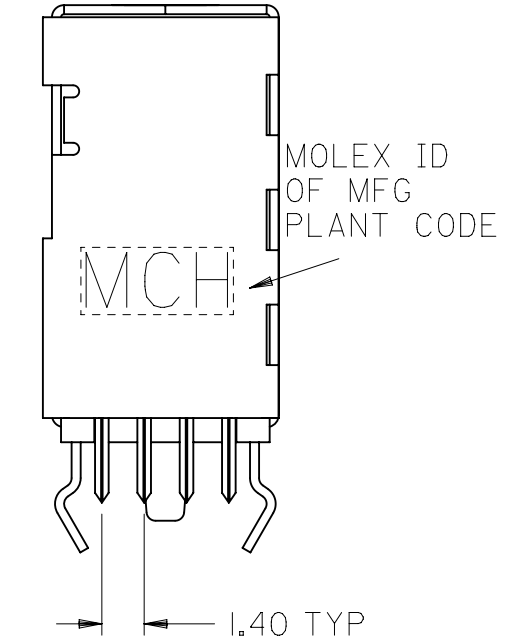
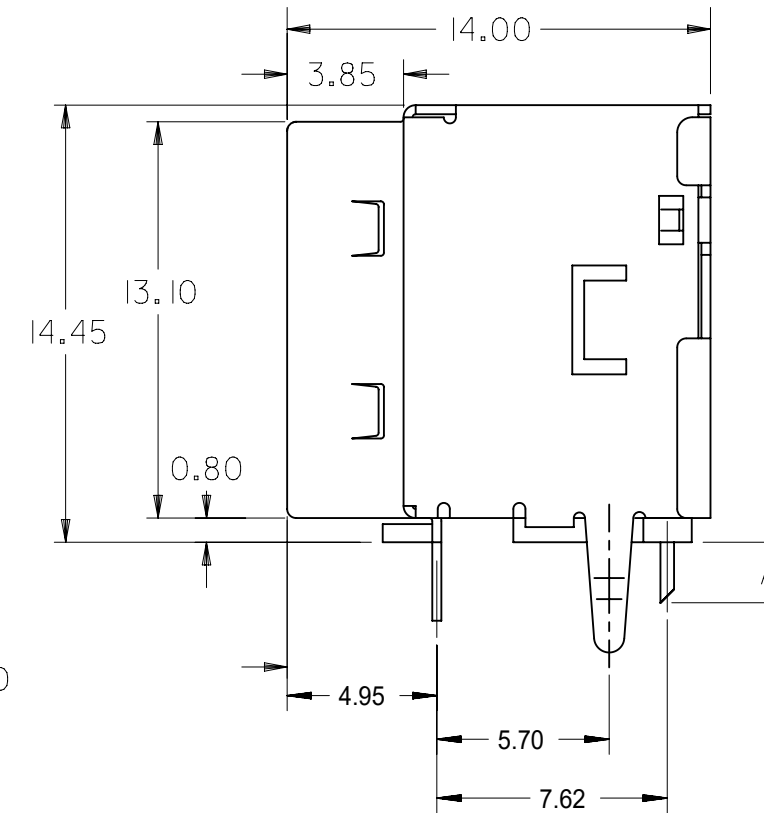
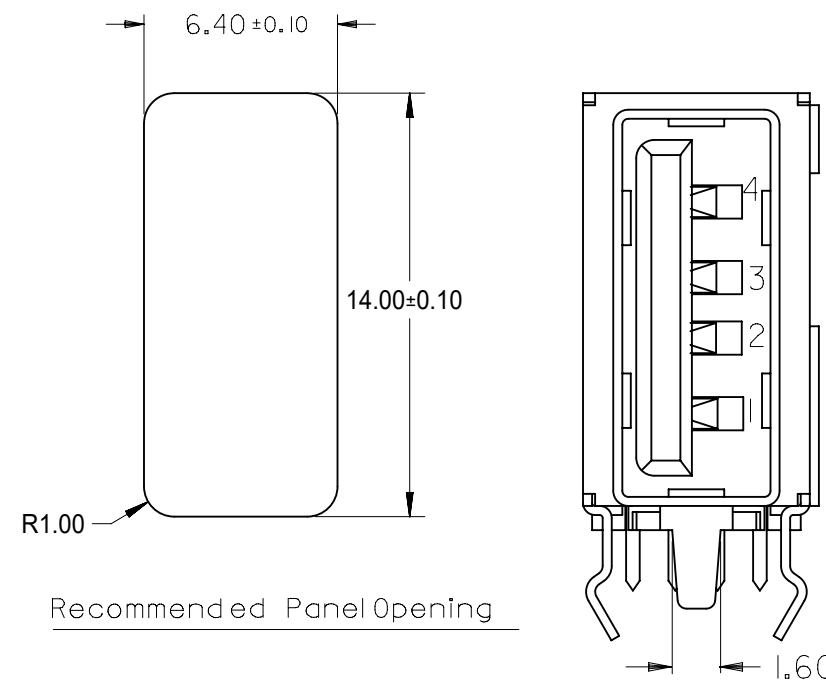
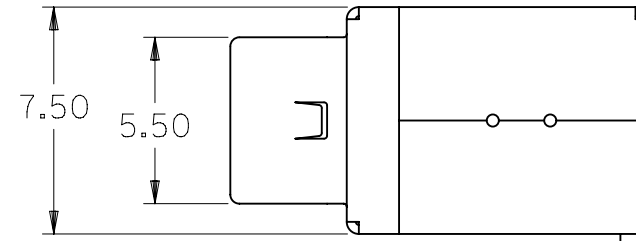
(b)30MICROINCH MINIMUM GOLD(Au) ON THE CONTACT AREA, AND 75MICROINCH MINIMUM PURE TIN ON SOLDER TAIL,UNDER 50MICROINCH MINIMUM Ni UNDER PLATE.

(c)GOLD FIASH ON THE CONTACT AREA,AND 75MICROINCH MINIMUM MATTE TIN ON SOLDER TAIL,UNDER 50MICROINCH MINIMUM Ni PLATE.

METAL SHELL:
(d)100MICROINCH MINIMUM BRIGHT TIN ON THE METAL SHELL,AND 50MICROINCH MINIMUM Ni AND 100MICROINCH MINIMUM Cu PLATE.
(e)100MICROINCH MINIMUM MATTE TIN ON THE METAL SHELL,AND 50MICROINCH MINIMUM Ni AND 100MICROINCH MINIMUM Cu PLATE.

3.RECOMMENDED PCB THICKNESS:1.60 ±0.05mm
4.PRODUCT SPECIFICATION:REFER TO PS-89485
5. TRAY PACKAGING SPECIFICATION REFER TO:PK-89485-002
TUBE PACKAGING SPECIFICATION REFER TO:PK-89485-001

DIMENSION"A"	P/N	PLATING	TERMINAL CONTACT PLATING	TERMINAL SOLDER PLATING	METAL SHELL PLATING
2.00	+0.35	89485-8000	SEE NOTES(a)+(d)	GOLD FLASH	75 MICRO INCH BRIGHT TIN 100 MICRO INCH BRIGHT TIN
	-0.15	89485-8001	SEE NOTES(b)+(d)	30 MICRO INCH GOLD	
2.50	+0.35	89485-8002	SEE NOTES(a)+(d)	GOLD FLASH	
	-0.10	89485-8003	SEE NOTES(b)+(d)	30 MICRO INCH GOLD	



PRE-RELEASE REFERENCE USE ONLY

THIS DRAWING CONTAINS INFORMATION THAT IS PROPRIETARY TO MOLEX ELECTRONIC TECHNOLOGIES, LLC AND SHOULD NOT BE USED WITHOUT WRITTEN PERMISSION												
DIMENSION UNITS		SCALE		CURRENT REV DESC: REMOVED OBSOLETE PART NUMBER AS PER PCN#508521/511698.				molex				
mm		1:1										
GENERAL TOLERANCES (UNLESS SPECIFIED)				EC NO: 742551 DRWN: ABHISP1 2021/04/14 CHK'D: GGA 2023/05/12 APPR: GGA 2023/05/12 INITIAL REVISION: DRWN: DAVID HU APPR:				SINGLE PORT UP-RIGHT USB CONNECTOR				
								PRODUCT CUSTOMER DRAWING				
4 PLACES ±								DOCUMENT NUMBER			DOC TYPE	
3 PLACES ±								SD-89485-003			PSD	
2 PLACES ± 0.25 ± 0.01								DOC PART			003	
1 PLACE ± 0.25 ± 0.01				REVISION			G					
0 PLACES ±				MATERIAL NUMBER			CUSTOMER					
ANGULAR TOL ± 3.0°				SERIES			SHEET NUMBER					
DRAFT WHERE APPLICABLE MUST REMAIN WITHIN DIMENSIONS				THIRD ANGLE PROJECTION		DRAWING		A3-SIZE				
				89485		SEE TABLE		GENERAL MARKET				
								1 OF 1				