

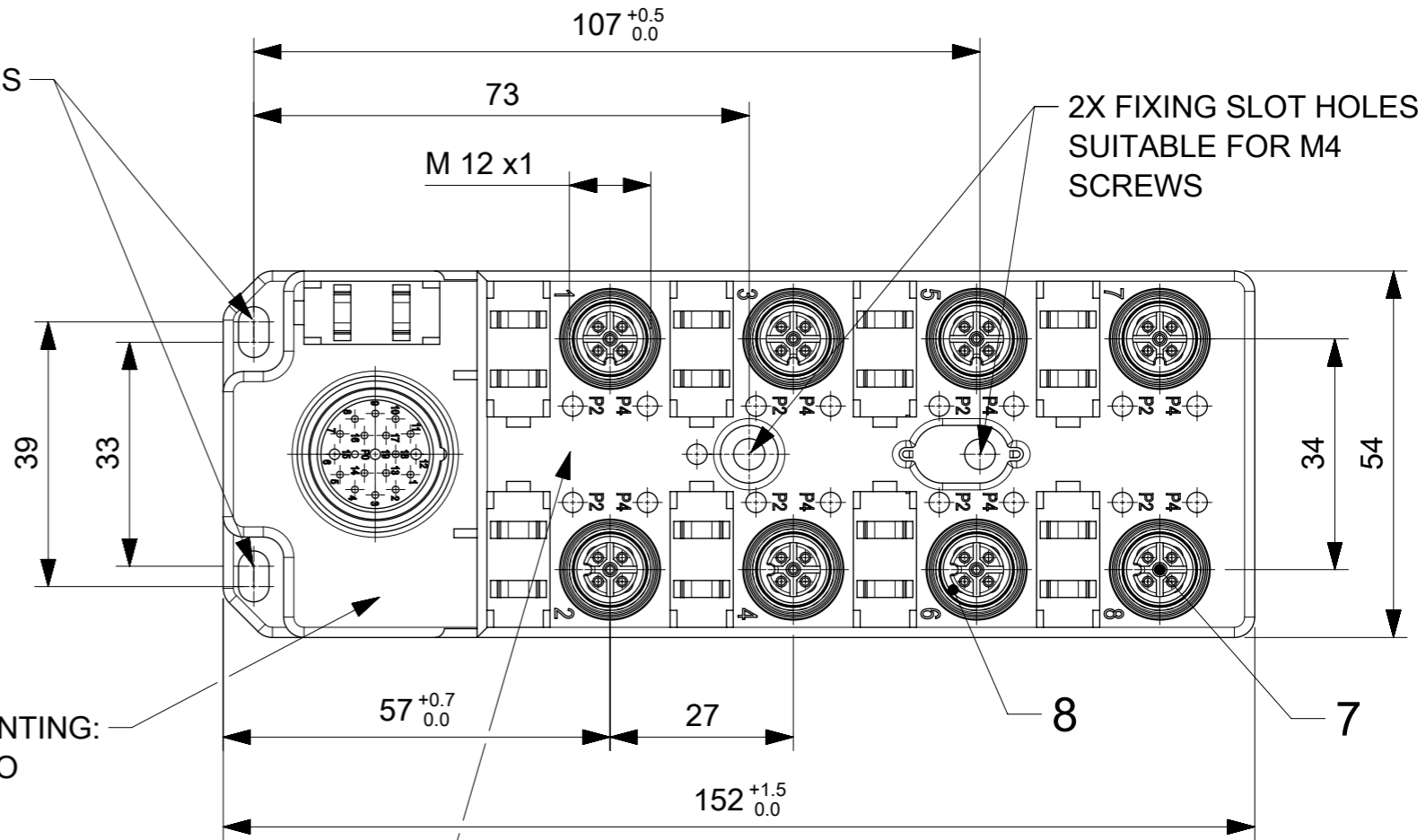
**TABLE 1**

MOLEX P/N	ENG. NO.	LED
1202510064	BKB8030-FBC	NO
1202510065	BKB803P-FBC	YES
1202510066	BKB803N-FBC	YES

**TABLE 2 BILL OF MATERIAL**

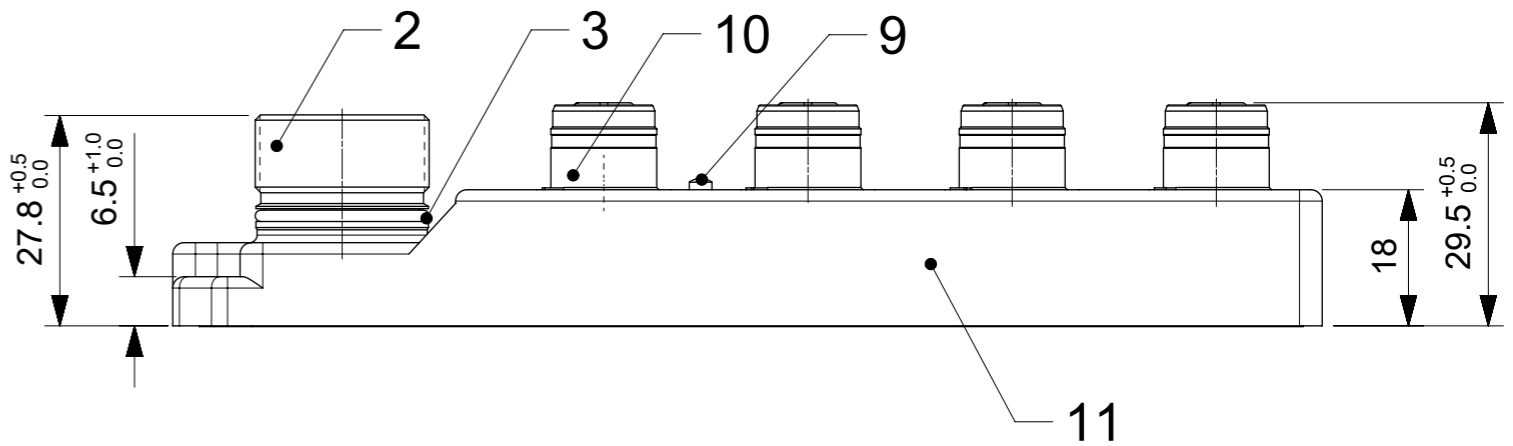
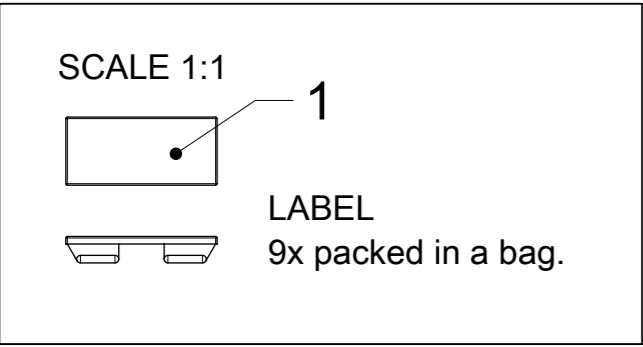
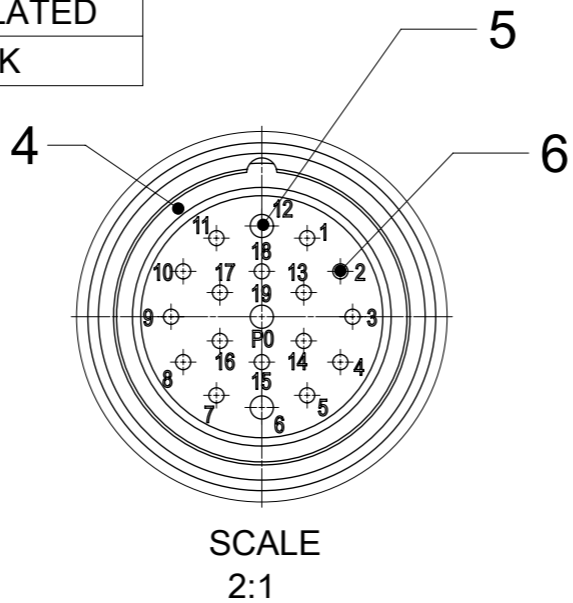
ITEM	DESCRIPTION	MATERIAL	FINISH
1	LABEL	ABS	WHITE
2	SHELL	BRASS	NICKEL PLATED
3	O-RING	NBR	BLACK
4	O-RING	NBR	BLACK
5	CONTACT	BRASS	GOLD OVER NICKEL
6	CONTACT	BRASS	GOLD OVER NICKEL
7	CONTACT	BRONZE	GOLD OVER NICKEL
8	O-RING	FPM	RED
9	LED	NO LED = PA	BLACK
		WITH LED = PA	TRANSPARENT
10	SHELL	BRASS	NICKEL PLATED
11	HOUSING	PBT	BLACK

2X FIXING SLOT HOLES  
SUITABLE FOR M4  
SCREWS



LASER PRINTING:  
BRAD LOGO

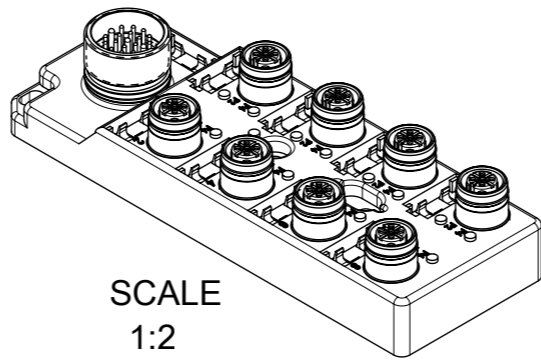
LASER PRINTING:  
PN: 120251XXXX  
ENG.: BKB803X-FBC  
PO: XXXXXXXXXX



**GENERAL CHARACTERISTICS:**

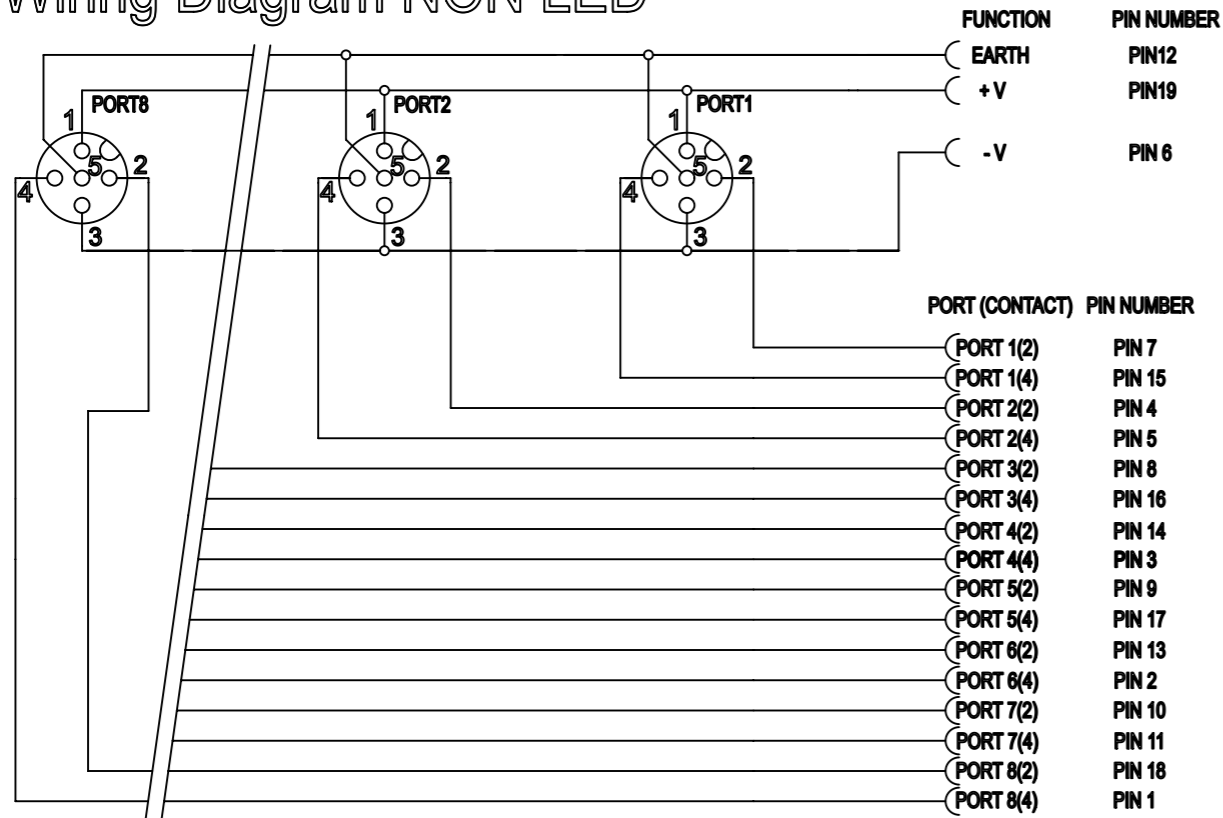
ELECTRICAL AND MECHANICAL DATA ACC. TO IEC 61076-2-101

NOMINAL VOLTAGE: 10-30 V DC  
 AMPERE RATING: 4 A PER PORT / 12 A MAX  
 AMPERE RATING WITH UL REGISTRATION: 3 A PER PORT / 9 A MAX  
 IP DEGREE OF PROTECTION: IP 67  
 TEMPERATURE RANGE: -25°C to + 85°C

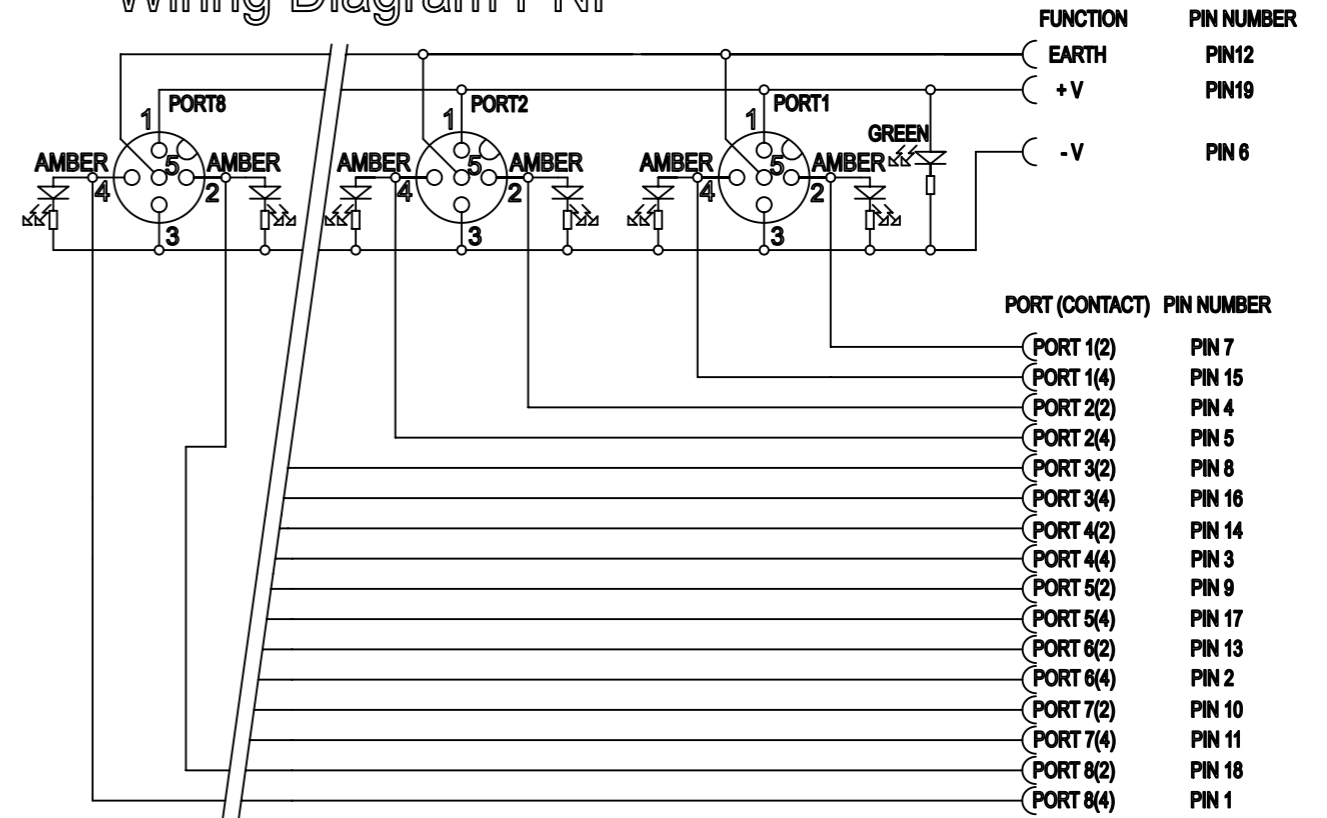


SYMBOLS		THIS DRAWING CONTAINS INFORMATION THAT IS PROPRIETARY TO MOLEX ELECTRONIC TECHNOLOGIES, LLC AND SHOULD NOT BE USED WITHOUT WRITTEN PERMISSION	
DIMENSION UNITS	SCALE	CURRENT REV DESC:	
mm	1:1	EC NO: 630686	
GENERAL TOLERANCES (UNLESS SPECIFIED)		DRWN: SSM	2018/12/13
ANGULAR TOL ± 1.0°		CHK'D: RSILLER	2020/01/17
▽ = 0	4 PLACES ±	APPR: RSILLER	2020/01/17
▽ = 0	3 PLACES ±	INITIAL REVISION:	
▽ = 0	2 PLACES ± 0.05	DRWN: SSM	2018/12/13
▽ = 0	1 PLACE ± 0.3	APPR: RSILLER	2020/01/17
▽ = 0	0 PLACES ± 0.5	THIRD ANGLE PROJECTION	
■ = 0	DRAFT WHERE APPLICABLE MUST REMAIN WITHIN DIMENSIONS	DRAWING	SERIES
▽ = 0		A3-SIZE	120251
		MATERIAL NUMBER	CUSTOMER
		SEE TABLE 1	GENERAL MARKET
		DOCUMENT NUMBER	DOC TYPE DOC PART REVISION
		1202510064	PSD 000 A
		SHEET NUMBER	
		1 OF 2	

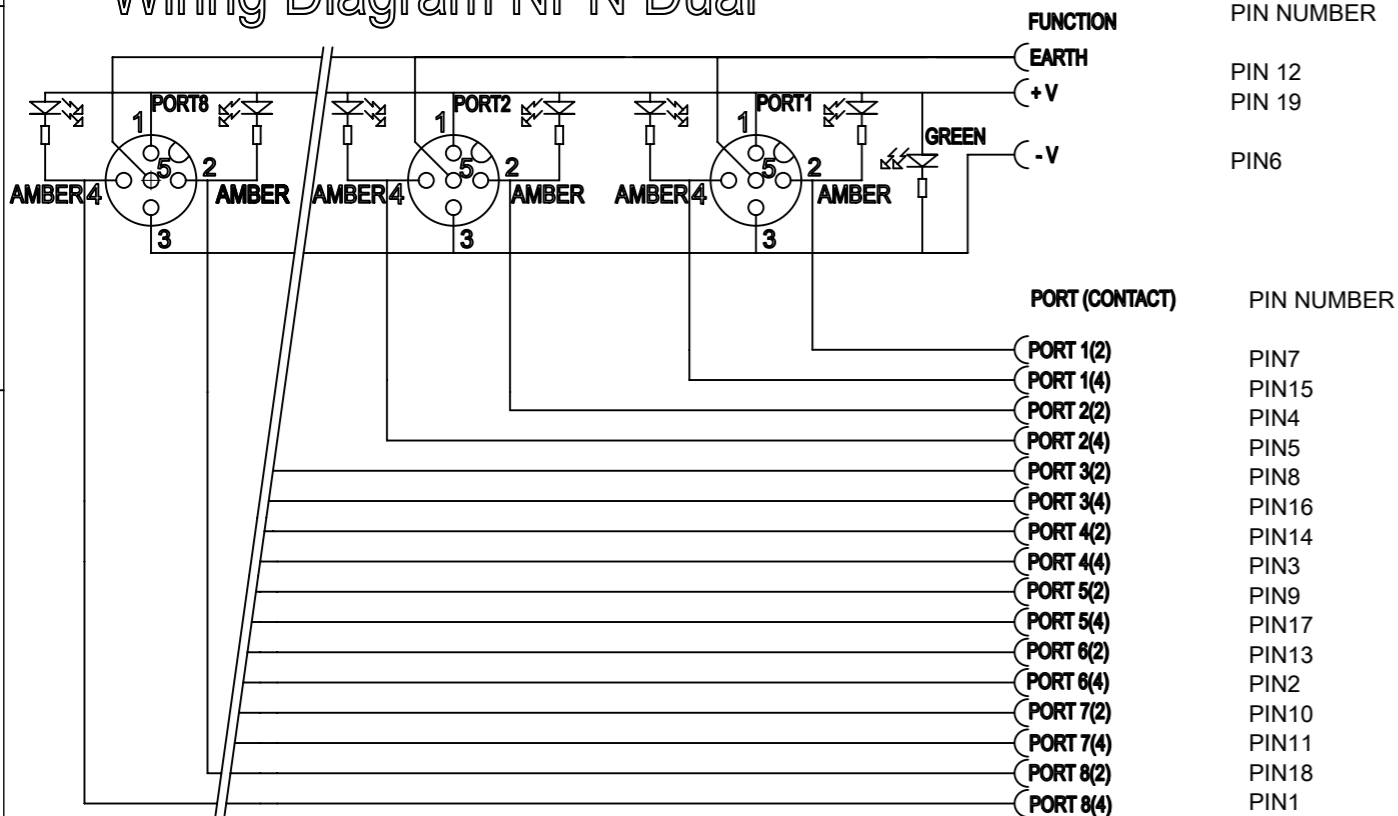
# Wiring Diagram NON LED



# Wiring Diagram PNP



# Wiring Diagram NPN Dual



SYMBOLS	THIS DRAWING CONTAINS INFORMATION THAT IS PROPRIETARY TO MOLEX ELECTRONIC TECHNOLOGIES, LLC AND SHOULD NOT BE USED WITHOUT WRITTEN PERMISSION		CURRENT REV DESC:			<b>molex</b>				
	DIMENSION UNITS	SCALE							EC NO: 630686	DRWN: SSM
▽ = 0	mm	1:1	DRWN: SSM	2020/01/17	INITIAL REVISION:	PRODUCT CUSTOMER DRAWING				
▽ = 0	GENERAL TOLERANCES (UNLESS SPECIFIED)		CHK'D: RSILLER	2020/01/17		DRWN: SSM	2018/12/13	DOCUMENT NUMBER	DOC TYPE	DOC PART
▽ = 0	ANGULAR TOL ± 1.0°		APPR: RSILLER	2020/01/17	APPR: RSILLER	2020/01/17	1202510064	PSD	000	A
▽ = 0	4 PLACES ±		INITIAL REVISION:			PRODUCT CUSTOMER DRAWING				
▽ = 0	3 PLACES ±		DRWN: SSM			2018/12/13	DOCUMENT NUMBER			
▽ = 0	2 PLACES ± 0.05		APPR: RSILLER			2020/01/17	DOC TYPE			
▽ = 0	1 PLACE ± 0.3		DRWN: SSM			2018/12/13	DOC PART			
▽ = 0	0 PLACES ± 0.5		APPR: RSILLER			2020/01/17	REVISION			
■ = 0	DRAFT WHERE APPLICABLE MUST REMAIN WITHIN DIMENSIONS		THIRD ANGLE PROJECTION	DRAWING	SERIES	MATERIAL NUMBER	CUSTOMER	SHEET NUMBER		
▽ = 0				A3-SIZE	120251	SEE TABLE 1	GENERAL MARKET	2 OF 2		