



EMI/RFI Filter with very high attenuation for industrial applications

Datasheet 3/2019

APPROVALS:



FIN7213.(150 - 2000).B

Models available with current ratings up to 3000A

FEATURES

- Rated current from 150 to 2000A
- Very high differential and common mode attenuation
- Low leakage current

BENEFITS

- 5 Year warranty
- Very compact design
- Finger safe protection available
- Zero volt insulated available

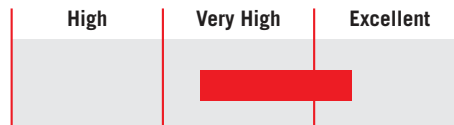
MARKETS

- Electrical equipment
- Machine tools
- Industrial automation
- Variable frequency drives / servo drives
- Regenerative systems
- Renewable energy

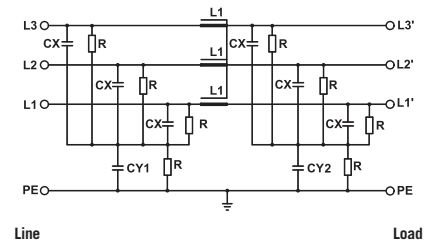
ORDERING CODE

FIN7213 .280 .B
 Model Current (A) Connection
 B = Bus bar

ATTENUATION INDICATOR



ELECTRIC DIAGRAM



TECHNICAL SPECIFICATIONS

	FIN7213
Nominal voltage	0 / 600 Vac
Frequency	50 – 60 Hz
Rated current	150 to 2000A
Potential test voltage phase to phase	2400 Vdc (2 sec.)
Potential test voltage phase to ground	3200 Vdc (2 sec.)
Leakage current normal conditions	<10 mA*
Leakage current worst conditions	< 35 mA
IP Protection	IPO0 over
Overload capability	4 x Rated current (Switch ON) 2 x In 10 seconds 1.5 In for 10 minutes
Climatic class	-40 / +85° C
MTBF at 40°C	250.000 Hrs

* Voltage 230 Vac phase to ground 50Hz / 40°C

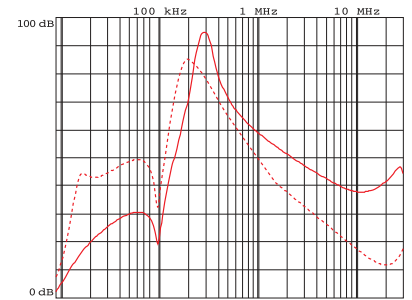
ELECTRICAL CHARACTERISTICS

FIN7213	Rated Current 40°C	Rated Current 50°C	Power Loss (W)
.150.B	150	135	65
.200.B	200	180	70
.280.B	280	250	75
.320.B	320	290	80
.360.B	360	325	95
.400.B	400	360	110
.500.B	500	450	102
.600.B	600	540	95
.750.B	750	675	80
.800.B	800	720	82
.900.B	900	810	90
.1000.B	1000	900	100
.1250.B	1250	1120	105
.1500.B	1500	1350	110
.1750.B	1750	1500	125
.2000.B	2000	1750	132

CONNECTIONS

LINE		PE	
d (mm)	Torque (Nm)	d1 (mm)	Torque (Nm)
M8	14	M8	14
M8	14	M8	14
M8	14	M8	14
M8	14	M8	14
M8	14	M8	14
M8	14	M8	14
M8	14	M8	14
M8	14	M8	14
M10	18	M8	14
M10	18	M8	14
M10	18	M8	14
M10	18	M8	14
M10	18	M8	14
M10	18	M8	14
M10	18	M8	14
M10	18	M8	14
M10	18	M8	14

TYPICAL ATTENUATION

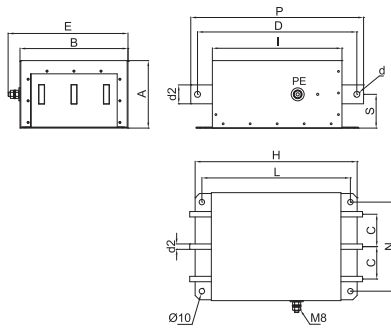
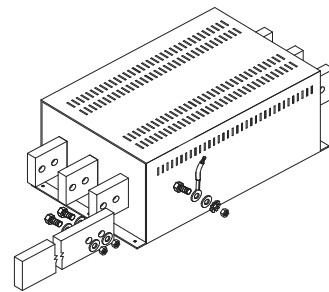


— Common Mode - - - Differential Mode

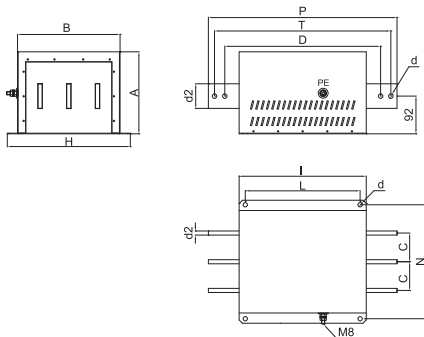
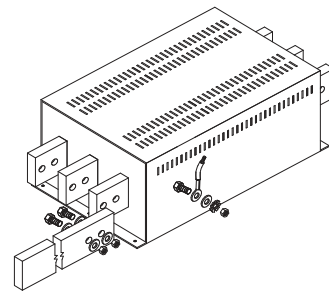
Typical attenuation 150A - 2000A

MECHANICAL DIMENSIONS mm

FIN7213	A	B	C	D	E	H	I	L	N	P	S	d	d2	Weight Kg.	Case
.150.B	86	200	60	300	227	300	240	275	165	320	37	9	20x6	5	1
.200.B	86	200	60	300	227	300	240	275	165	320	37	9	20x6	5.1	1
.280.B	86	200	60	300	227	300	240	275	165	320	37	9	20x6	5.2	1
.320.B	86	200	60	300	227	300	240	275	165	320	37	9	20x6	5.2	1
.360.B	86	200	60	300	227	300	240	275	165	320	37	9	20x6	5.3	1
.400.B	86	200	60	300	227	300	240	275	165	320	37	9	20x6	5.3	1
.500.B	125	200	60	295	222	300	240	275	200	320	62.5	11	35x10	8.2	2
.600.B	125	200	60	295	222	300	240	275	200	320	62.5	11	35x10	8.4	2
.750.B	125	200	60	295	222	300	240	275	200	320	62.5	11	35x10	8.5	2

CASE 1, 2

ASSEMBLY CONNECTION "B"

MECHANICAL DIMENSIONS mm

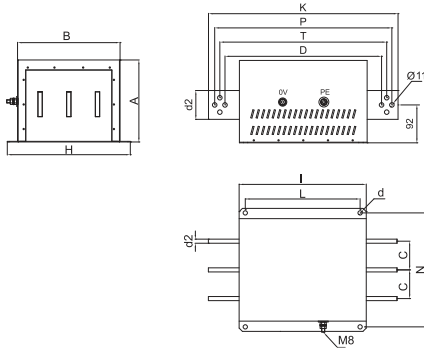
FIN7213	A	B	C	D	E	H	I	L	N	P	S	T	d	d2	Weight Kg.	Case
.800.B	200	250	70	380	277	300	310	280	278	460	-	430	11	50x10	8.4	3
.900.B	200	250	70	380	277	300	310	280	278	460	-	430	11	50x10	8.4	3
.1000.B	200	250	70	380	277	300	310	280	278	460	-	430	11	60x10	20.2	4
.1250.B	200	250	70	380	277	300	310	280	278	460	-	430	11	60x10	20.5	4

CASE 3, 4

ASSEMBLY CONNECTION "B"


MECHANICAL DIMENSIONS mm

FIN7213	A	B	C	D	H	I	L	N	P	K	T	d	d2	Weight Kg.	Case
.1500.B	200	250	70	380	300	310	280	278	460	430	405	11	70x10	22	5
.1750.B	200	250	70	380	300	310	280	278	460	430	405	11	80x10	25	5
.2000.B	200	250	70	380	300	310	280	278	460	430	405	11	80x10	25	5

CASE 5



ASSEMBLY CONNECTION "B"

