

Cable gland - HC-EMV-KV-M16(4,5-9) - 1690493

Please be informed that the data shown in this PDF Document is generated from our Online Catalog. Please find the complete data in the user's documentation. Our General Terms of Use for Downloads are valid (<http://download.phoenixcontact.com>)



EMC screw connection up to 5 bar, thread length: 4 mm, cable diameter: 4.5 - 9.0 mm, WAF 20, screw connection: M16

The illustration shows version HC-EMV-KV-M20



Key commercial data

Packing unit	1 pc
Minimum order quantity	25 pc
Weight per Piece (excluding packing)	10.0 GRM
Custom tariff number	74199990
Country of origin	Germany

Technical data

Dimensions

Wrench size, union nut	20 mm
Wrench size, support	20 mm
Length of the connecting thread	4 mm
External cable diameter	4.5 mm ... 9 mm
Conductor sealing range	4.50 mm ... 9.00 mm

Ambient conditions

Degree of protection	IP68, to 5 bar
	IP68 (Up to 5 bar)
Ambient temperature (operation)	-20 °C ... 100 °C

General

Cable gland material	Nickel-plated brass
Material, pressure screw	Nickel-plated brass
Seal material	Neoprene

Cable gland - HC-EMV-KV-M16(4,5-9) - 1690493

Technical data

General

Cable seal material	Neoprene
Material, O-ring	NBR
Thread type on connection side	M16
Tightening torque, union nut	5.00 Nm

Classifications

eCl@ss

eCl@ss 4.0	27141209
eCl@ss 4.1	27141209
eCl@ss 5.0	27149109
eCl@ss 5.1	27149109
eCl@ss 6.0	27149109
eCl@ss 7.0	27149109
eCl@ss 8.0	27149109

ETIM

ETIM 2.0	EC000441
ETIM 3.0	EC000441
ETIM 4.0	EC000441
ETIM 5.0	EC000441

UNSPSC

UNSPSC 6.01	31261502
UNSPSC 7.0901	31261502
UNSPSC 11	31261502
UNSPSC 12.01	31261502
UNSPSC 13.2	31261502

Approvals

Approvals

Approvals

GOST

Ex Approvals

Cable gland - HC-EMV-KV-M16(4,5-9) - 1690493

Approvals

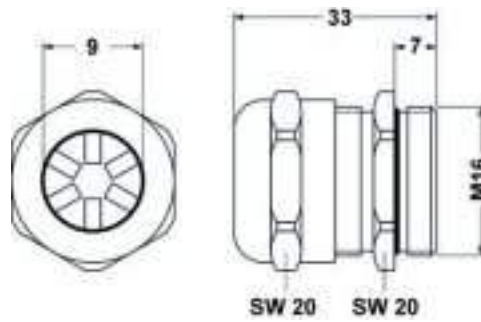
Approvals submitted

Approval details



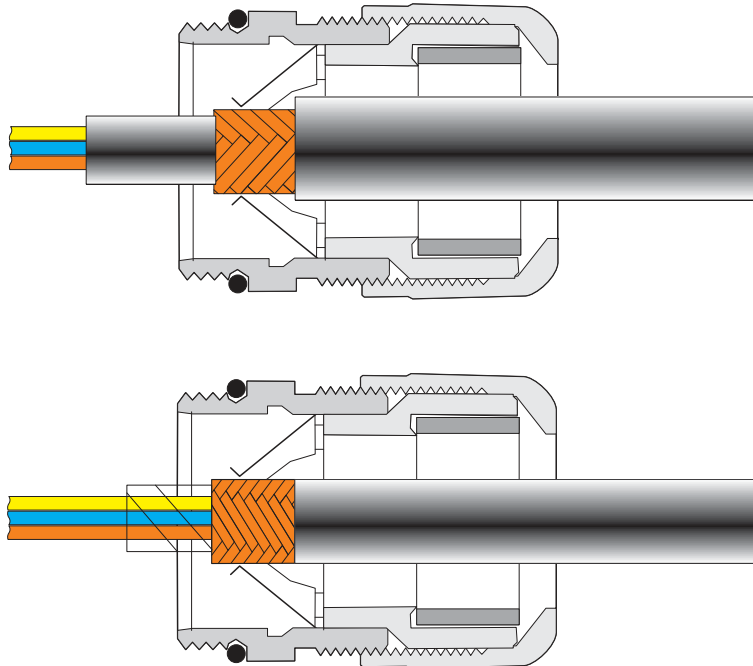
Drawings

Dimensioned drawing



Cable gland - HC-EMV-KV-M16(4,5-9) - 1690493

Functional drawing



Assembly instructions:

Method 1

Slit the outer sheath after approximately 15 mm, but do not remove it. Guide the cable through the screw connection and then remove the outer sheath. Now withdraw the cable until a connection is established between the conductor shield and the contact spring.

Method 2

Push the braided shield back approximately 15 - 20 mm over the outer sheath. Insert the cable into the screw connection until a connection is established between the conductor shield and the contact spring.

Method 3

Uncover about 10 mm of the braided shield and guide the cable through the screw connection until a connection is established between the conductor shield and the contact spring.