

SMA TOOLBOX
SEMI-RIGID CABLE

R282.120.010

Series : **OUT**



Issue : 0050 A

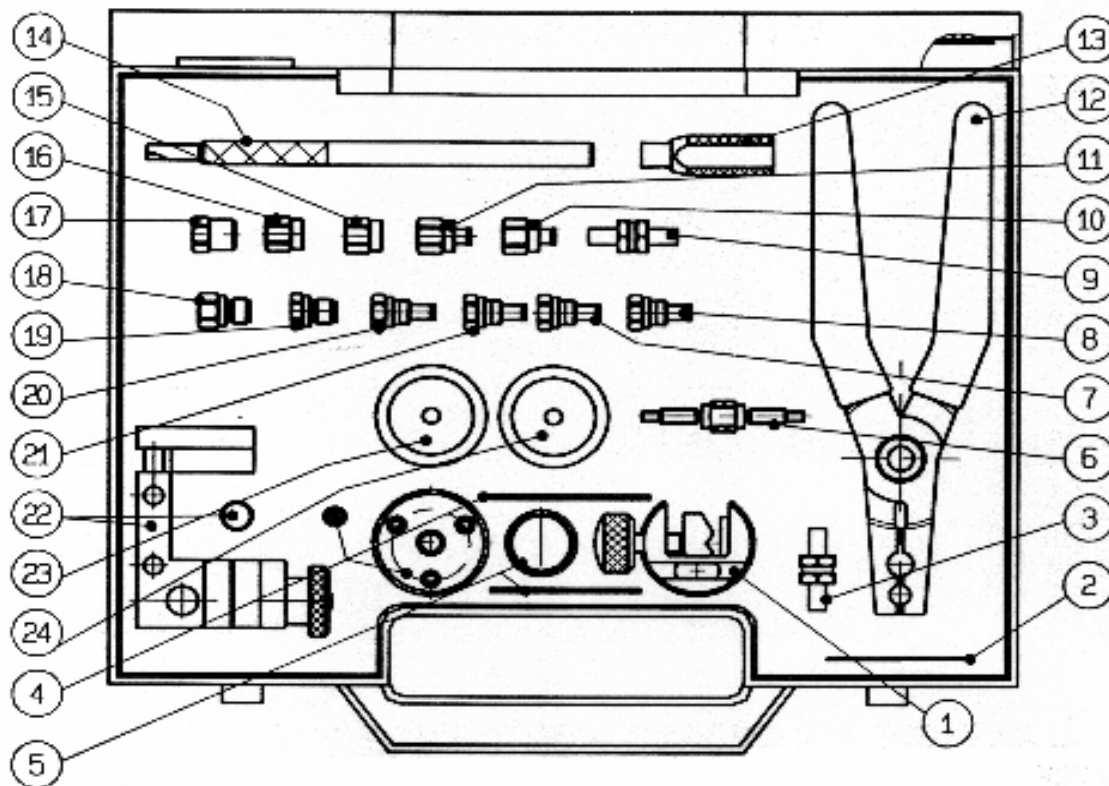
In the effort to improve our product, we reserve the right to make changes judged to be necessary.



SMA TOOLBOX
SEMI-RIGID CABLE

R282.120.010

Series : **OUT**



N	REFERENCE	MARK	DESIGNATION
1	R282.059.100.		Cable holder
2	R282.862.060		Solder gauge (cab .085 : mark 61, cab .141 : mark 62)
3	R282.744.200	84	Soldering positioner for right angle SMA
4	R282.053.100		Stripping tool
5	R282.066.100		Trimmer
6	R282.744.220		Soldering positioner for center contact
7	R282.744.060	85	Soldering positioner for male SMA cable .085
8	R282.744.062	78	Soldering positioner for male SMA B cable .085
9	R282.744.201	88	Soldering positioner for right angle SMA B
10	R282.744.010	80	Soldering positioner for female cable .085
11	R282.744.011	86	Soldering positioner for female cable .141
12	R282.200.000		Retaining ring pliers
13	R282.760.000		Retaining ring insert tool
14	R282.915.010		Dielectric recess tool
15	R282.914.010	92	Dielectric recess gauge for female
16	R282.857.010	81	Control gauge for female
17	R282.744.100	82	Soldering positioner for male
18	R282.857.000	83	Control gauge for male
19	R282.914.000	93	Dielectric recess gauge for male
20	R282.744.063	77	Soldering positioner for male SMA B cable .141
21	R282.744.061	87	Soldering positioner for male SMA cable .141
22	R282.740.000		Soldering assembly jig
23	R282.730.040		Dielectric insert tool + dielectric plunger for male
24	R282.730.043		Dielectric insert tool + dielectric plunger for female

Issue : 0050 A

In the effort to improve our product, we reserve the right to make changes judged to be necessary.

