

5

4

3

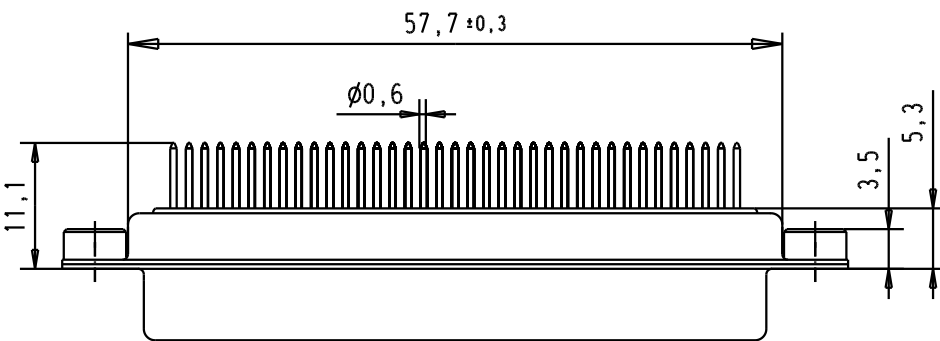
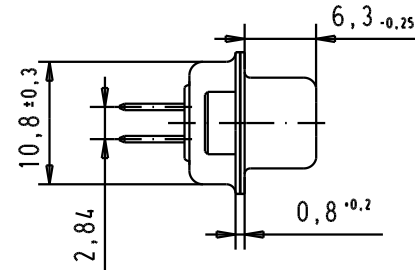
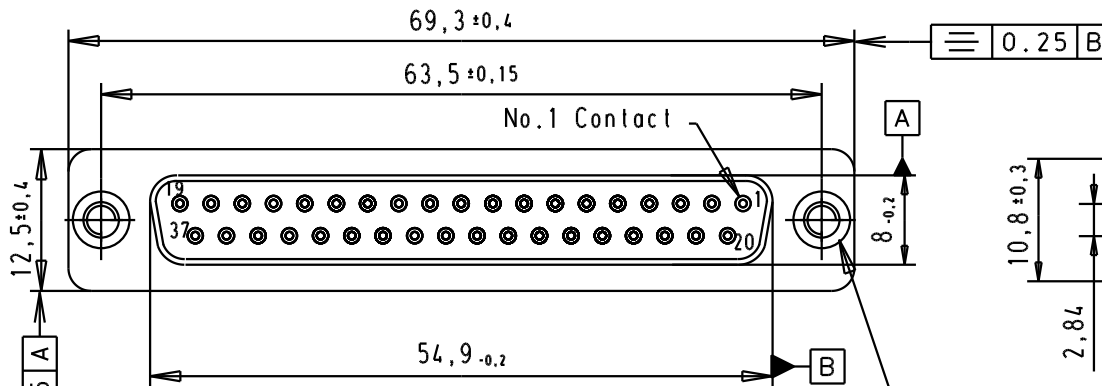
2

1

SPECIFICATION

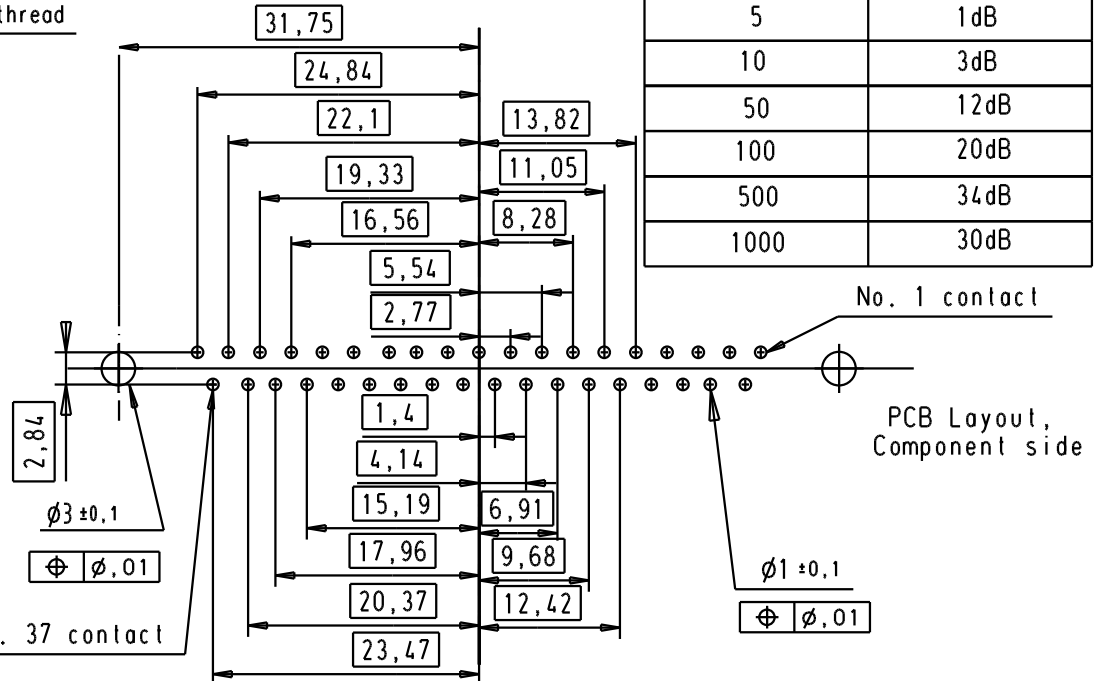
Mating Cycles	500
Filter type	C
Capacitance	1000pf±20%
Working Voltage	100v
Current Rating	7.5A
Insulation Resistance	>1GΩ

FREQUENCY (MHz)	ATTENUATION (dB)
5	1dB
10	3dB
50	12dB
100	20dB
500	34dB
1000	30dB



Nut thread


Assembly position



No. 1 contact

PCB Layout, Component side

No. 37 contact

					Dat.		Name		 All Dim. in mm Orig. Size DIN A 4		D-Sub, female, straight, 37 Poles, solder pins, tin plated shell with clinch nuts		Ma?Mstab/ Scale 1.5:1		
					Detail.		8-JUL-02 CV								
					Insp.										
					Stand.										
09644127238		M3		33079		29/08/05		JMDR		HARTING EURL F-95972 Paris		TB 0964412723x		Blatt/ Page 3 / 3	
09644127237		UNC 4-40		31058		8-JUL-02		CV							
Part number		Nut thread		Mod.		Dat.		Name		Sub.					