



698-960, 1420-1610 & 1710-2700 MHz GNSS / LTE BAND TERMINAL ANTENNA

Part Number: 2108940-1, 2108940-2

FEATURES & BENEFITS

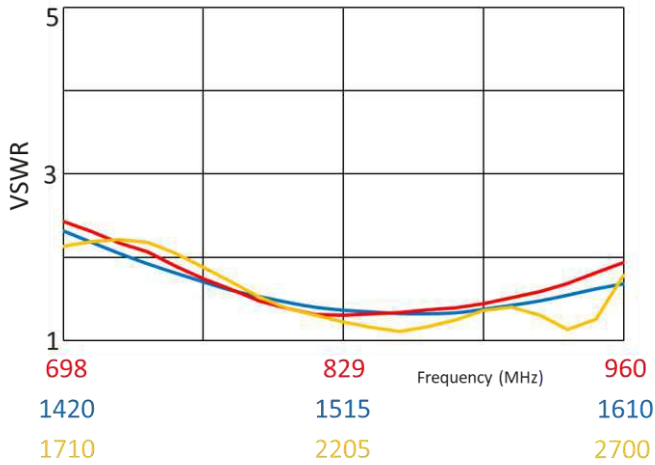
- 2G/3G/4G/NB-IoT, Cat-M, WiFi2.4GHz, GNSS antenna
- External chassis mount antenna
- Swivel mount for proper alignment

SPECIFICATIONS

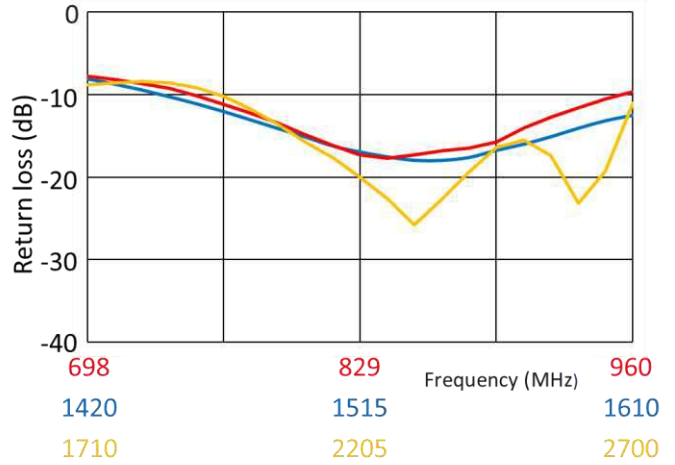
Frequency Range (MHz)	698 - 960	1420 - 1610	1710 - 2700
VSWR	< 2.5:1	< 2.4:1	<2.3:1
Average Efficiency	47 %	74 %	71 %
Peak Gain	1.4 dBi	3.3 dBi	4.2 dBi
Average Gain	-3.3 dBi	-1.4 dBi	-1.6 dBi
Power Handling	10 Watt cw		
Feed Point Impedance	50 ohms unbalanced		
Polarization	Linear		
Size	157.9 mm x 17.6 mm x 13.0 mm		
Weight	< 15.3 g		
Mounting	SMA(male) & RP-SMA(male) Terminal mount		
Operating Temperature	-30 to +70°C		
Storage Temperature	-30 to +70°C		
Packaging Specification	Bag & Box		
Hazardous Materials	A certificate of conformance is available from the product page on TE website.		

RF DATA

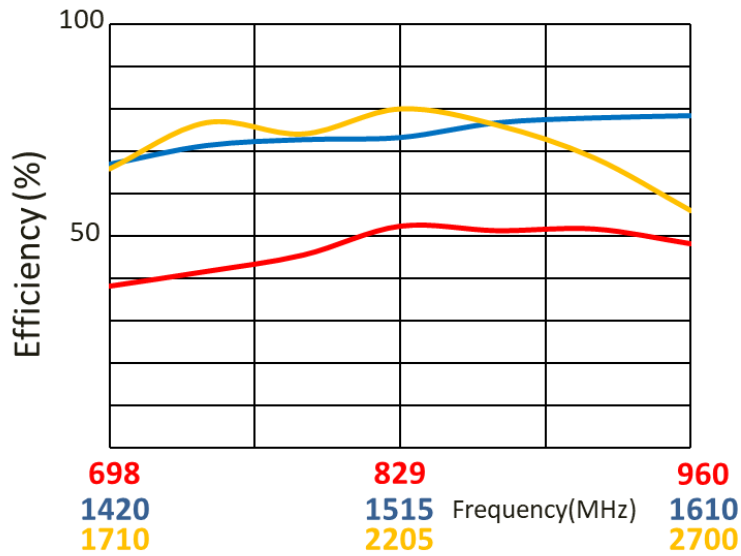
VSWR



Return Loss

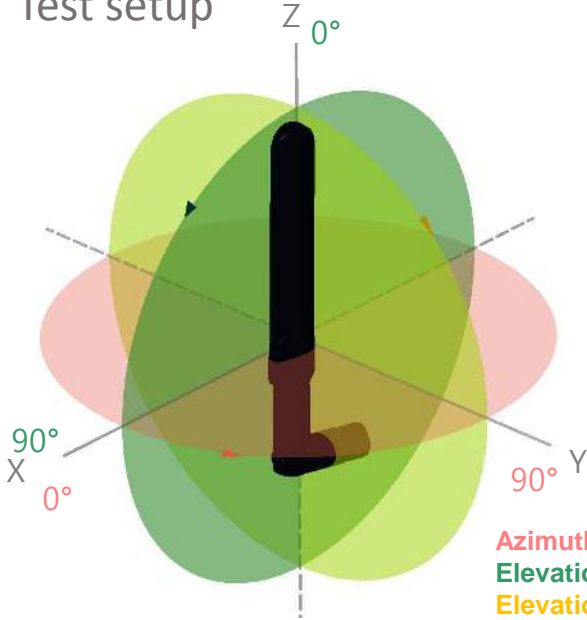


Efficiency



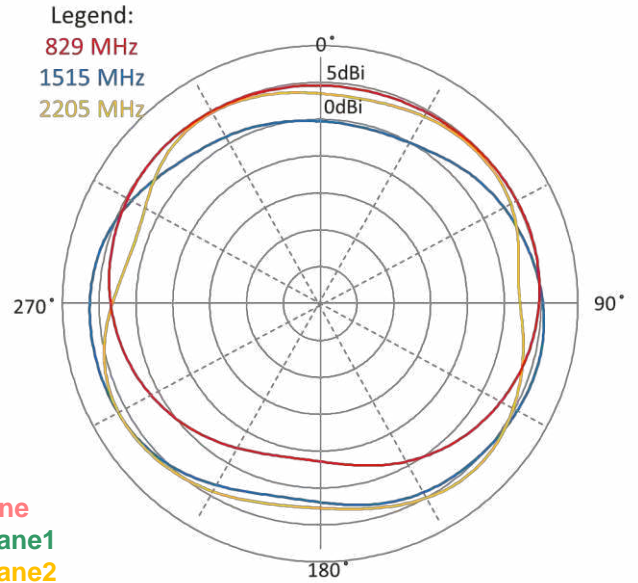
RADIATION PATTERN

Test setup

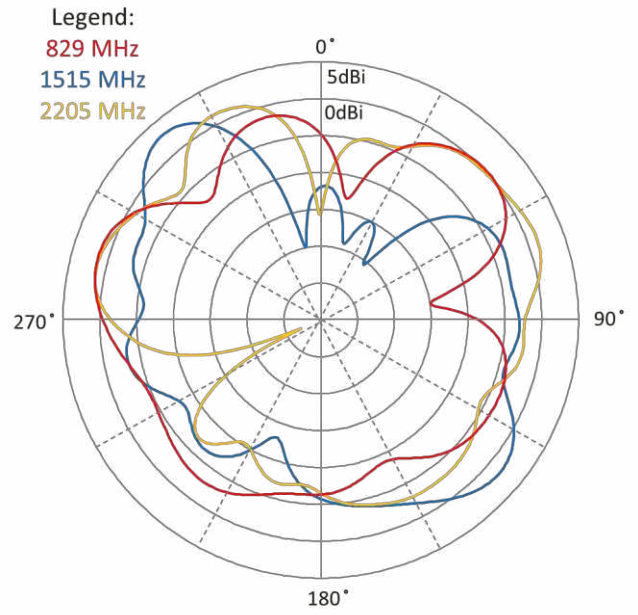
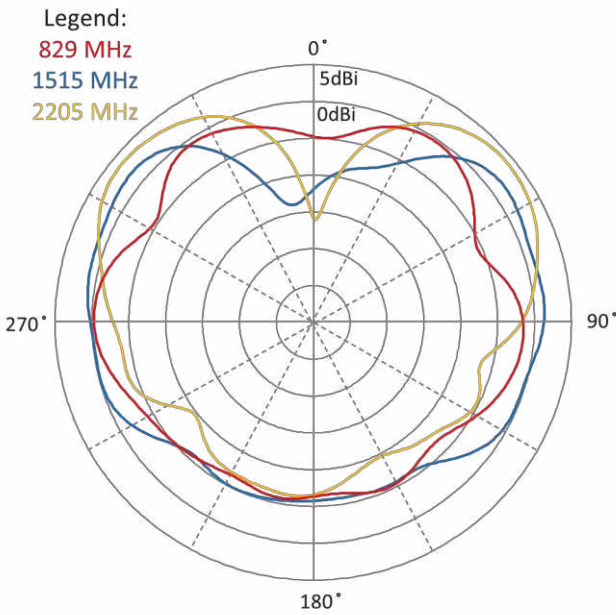


Elevation 1

Azimuth



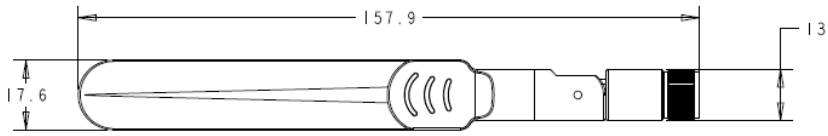
Elevation 2



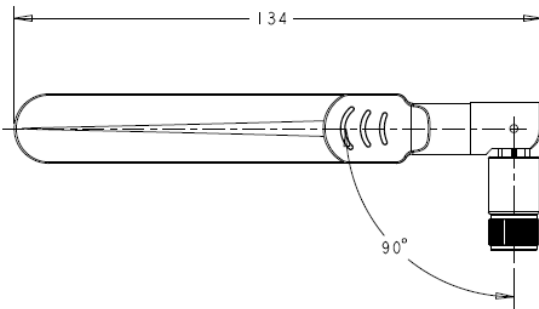
698-960, 1420-1610 & 1710-2700 MHz GNSS / LTE BAND TERMINAL ANTENNA

Standard Antenna Solutions

DIMENSIONS

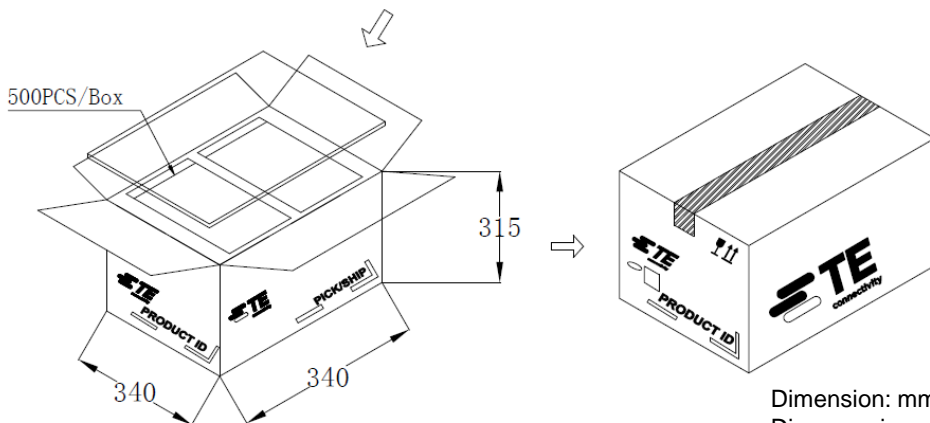
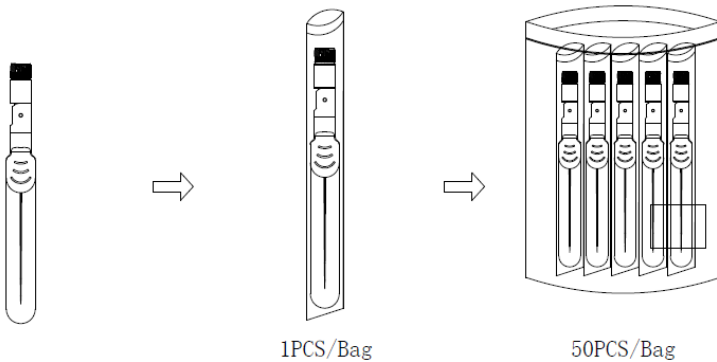


2108940-1 of SMA
2108940-2 of RP SMA



Dimension: mm
Diagrams is not into scale

PACKAGING



Dimension: mm
Diagrams is not into scale

698-960, 1420-1610 & 1710-2700 MHz GNSS / LTE BAND TERMINAL ANTENNA

Standard Antenna Solutions

TE TECHNICAL SUPPORT CENTER

USA:	+1 (800) 522-6752
Canada:	+1 (905) 475-6222
Mexico:	+52 (0) 55-1106-0800
Latin/S. America:	+54 (0) 11-4733-2200
Germany:	+49 (0) 6251-133-1999
UK:	+44 (0) 800-267666
France:	+33 (0) 1-3420-8686
Netherlands:	+31 (0) 73-6246-999
China:	+86 (0) 400-820-6015

For phone numbers in other countries, go to te.com/support-center

te.com

TE Connectivity, TE Connectivity (logo) and Every Connection Counts are trademarks. All other logos, products and/or company names referred to herein might be trademarks of their respective owners.

The information given herein, including drawings, illustrations and schematics which are intended for illustration purposes only, is believed to be reliable. However, TE Connectivity makes no warranties as to its accuracy or completeness and disclaims any liability in connection with its use. TE Connectivity's obligations shall only be as set forth in TE Connectivity's Standard Terms and Conditions of Sale for this product and in no case will TE Connectivity be liable for any incidental, indirect or consequential damages arising out of the sale, resale, use or misuse of the product. Users of TE Connectivity products should make their own evaluation to determine the suitability of each such product for the specific application.

© 2021 TE Connectivity Ltd. family of companies All Rights Reserved.

09/21