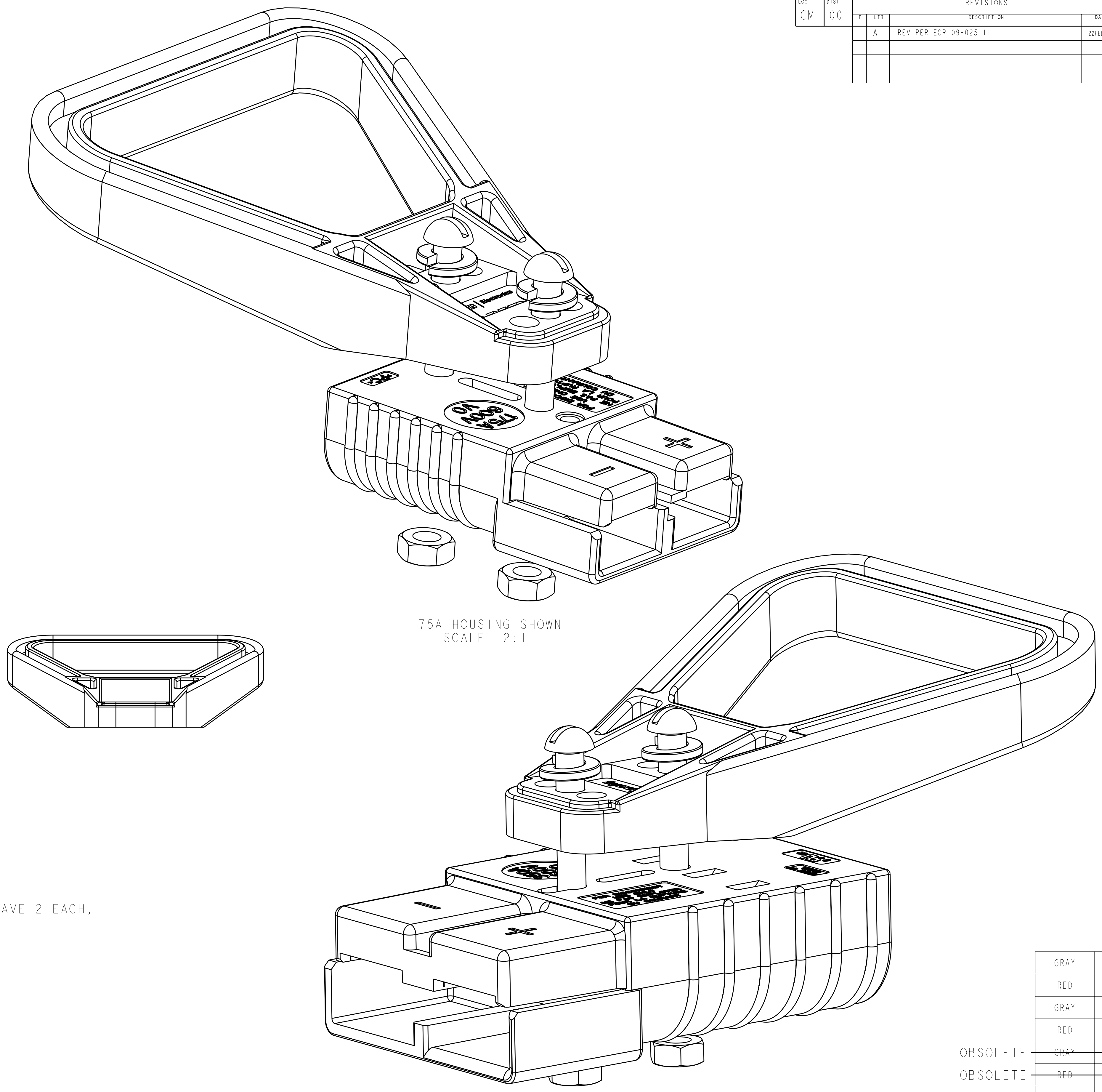
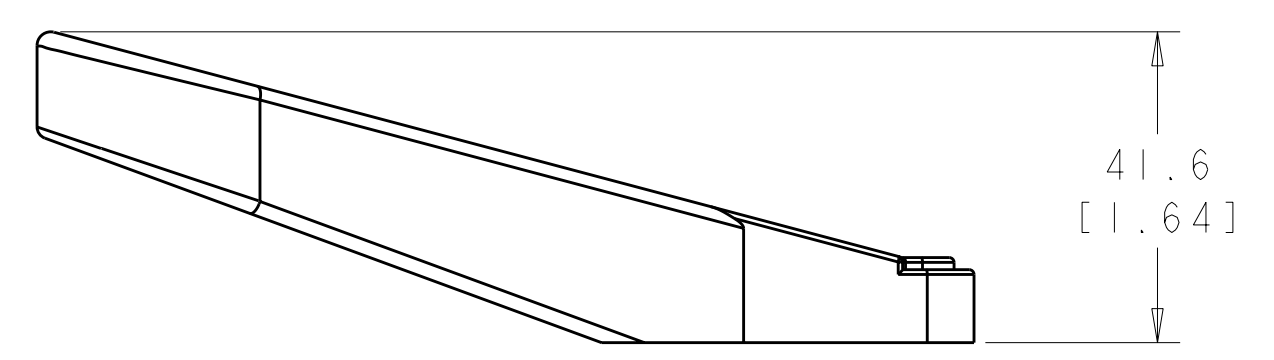
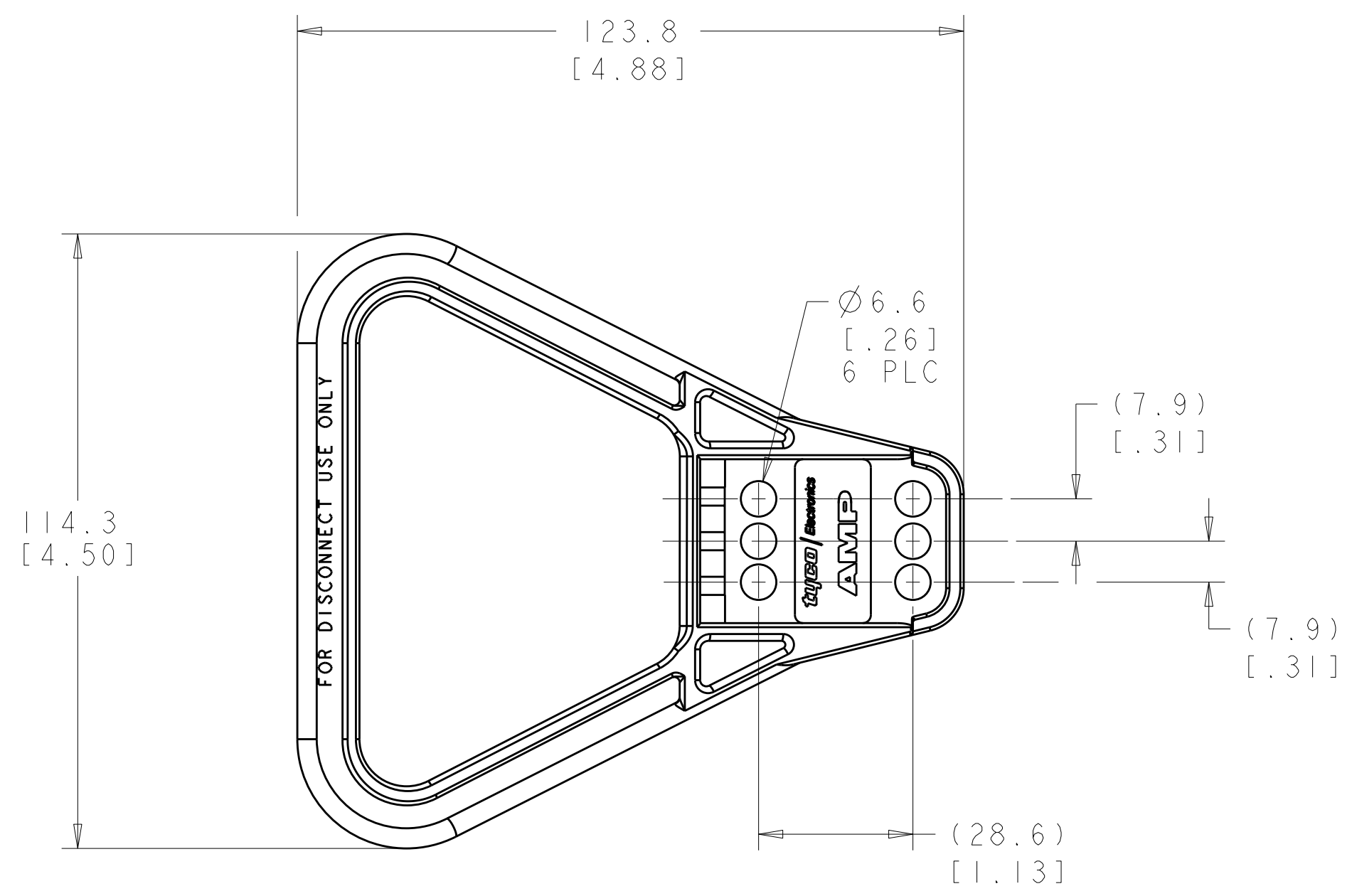


LOC		DIST		REVISIONS			
CM	00	P	LTN	DESCRIPTION	DATE	DWN	APVD
		A		REV PER ECR 09-025111	22FEB10	JR	SM



1. A HARDWARE KIT COMPRISED OF SCREWS, LOCK WASHERS, AND NUTS IS INCLUDED WITH THE HANDLE. 647737-1, 647737-2, 2-647737-1, 2-647737-2 HAVE 2 EACH, 1-647737-1, 1-647737-2, 3-647737-1, 3-647737-2 HAVE 4 EACH.
2. HANDLE MATERIAL IS UL94V-0 POLYCARBONATE.

GRAY	3-647737-2
RED	3-647737-1
GRAY	2-647737-2
RED	2-647737-1
OBSOLETE	GRAY 1-647737-2
OBSOLETE	RED 1-647737-1
OBSOLETE	GRAY 647737-2
OBSOLETE	RED 647737-1
COLOR	PART NO



DIMENSIONS: mm [INCHES]		TOLERANCES UNLESS OTHERWISE SPECIFIED:		DWN: R. WHITAKER 18APR2002		tyco Electronics		Tyco Electronics Harrisburg, PA 17105-3608	
Ø		± .02 (.51)		CHK: J. ELLIS 18APR2002		NAME: HANDLE KIT, POWER SERIES 175/350		RESTRICTED TO	
MATERIAL		FINISH		APVD: J. ELLIS 18APR2002		SIZE: CAGE CODE: DRAWING NO: A 00779 C-647737		SCALE: 1:1 SHEET 1 OF 1 REV A	
CUSTOMER DRAWING				WEIGHT		APPROVED			