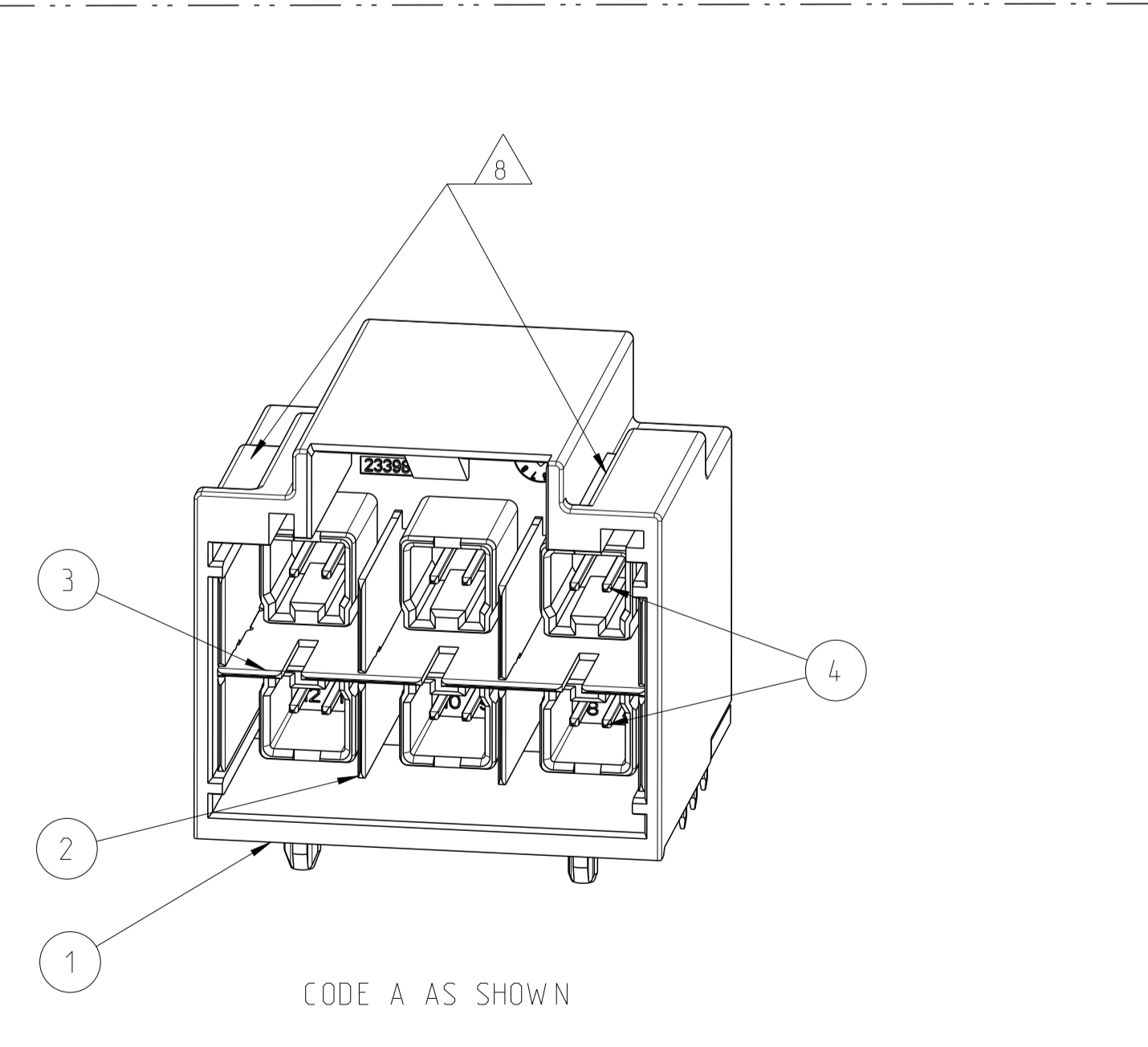
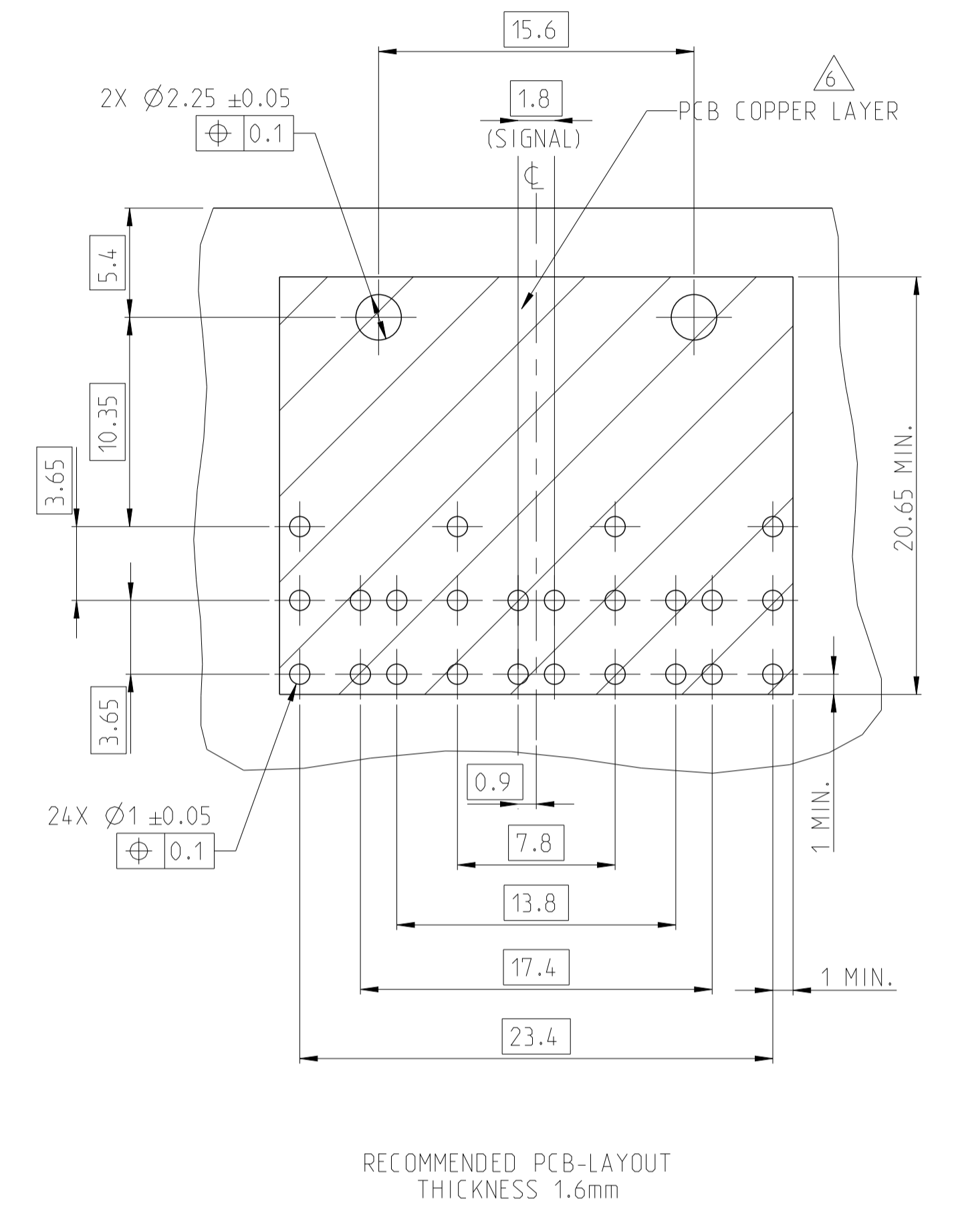
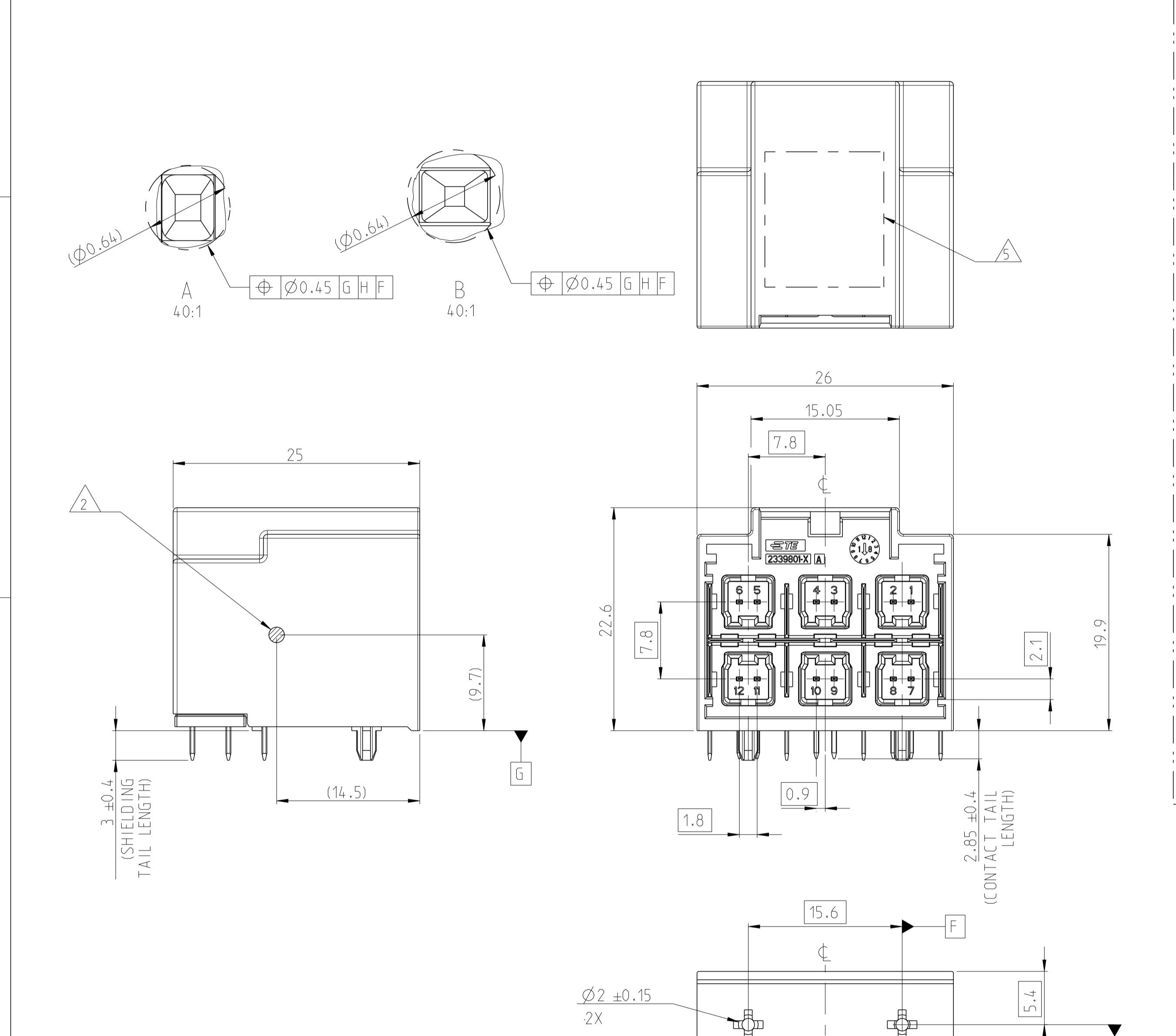
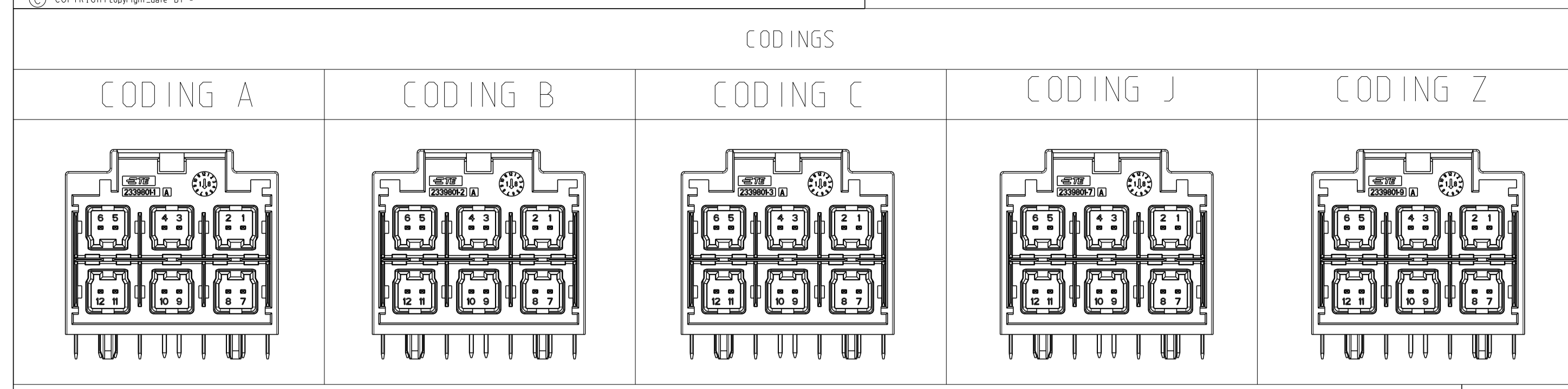


| REVISIONS | | | | |
|-----------|-----|-------------------------|-----------|----------|
| P | LTN | DESCRIPTION | DATE | OWN APVD |
| A3 | | REVISED (ECO-21-001090) | 26JAN2021 | A.H I.Y |
| A4 | | REVISED (ECO-21-003425) | 17MAR2021 | A.H I.Y |
| A5 | | REVISED (ECN-22-154776) | 19MAY2022 | G.Y F.P |
| A6 | | REVISED (ECN-22-180983) | 24OCT2022 | G.Y F.P |



| PN FOR PACKAGE IN TUBE | PN FOR PACKAGE IN TRAY | REV. | CODE | QTY. | DESCRIPTION | MATERIAL | WEIGHT (g) | COLOR/SURFACE | POS |
|------------------------|------------------------|------|------|------|-------------------|-----------------|------------|---------------|-----|
| 7-2339800-9 | 6-2339800-9 | A | Z | 12 | PIN | Cu ALLOY | 13.58 | Ni/Sn | 4 |
| | | | | 1 | HORIZONTAL SHIELD | Cu ALLOY | | PRE-TIN | 3 |
| | | | | 4 | VERTICAL SHIELD | STAINLESS STEEL | | Ni/Sn | 2 |
| | | | | 1 | HOUSING | PA10T-GF30 | | WATER BLUE | 1 |
| 7-2339800-7 | 6-2339800-7 | A | J | 12 | PIN | Cu ALLOY | 13.58 | Ni/Sn | 4 |
| | | | | 1 | HORIZONTAL SHIELD | Cu ALLOY | | PRE-TIN | 3 |
| | | | | 4 | VERTICAL SHIELD | STAINLESS STEEL | | Ni/Sn | 2 |
| | | | | 1 | HOUSING | PA10T-GF30 | | BEIGE | 1 |
| 7-2339800-3 | 6-2339800-3 | A | C | 12 | PIN | Cu ALLOY | 13.58 | Ni/Sn | 4 |
| | | | | 1 | HORIZONTAL SHIELD | Cu ALLOY | | PRE-TIN | 3 |
| | | | | 4 | VERTICAL SHIELD | STAINLESS STEEL | | Ni/Sn | 2 |
| | | | | 1 | HOUSING | PA10T-GF30 | | BLUE | 1 |
| 7-2339800-2 | 6-2339800-2 | A | B | 12 | PIN | Cu ALLOY | 13.58 | Ni/Sn | 4 |
| | | | | 1 | HORIZONTAL SHIELD | Cu ALLOY | | PRE-TIN | 3 |
| | | | | 4 | VERTICAL SHIELD | STAINLESS STEEL | | Ni/Sn | 2 |
| | | | | 1 | HOUSING | PA10T-GF30 | | WHITE | 1 |
| 7-2339800-1 | 6-2339800-1 | A | A | 12 | PIN | Cu ALLOY | 13.58 | Ni/Sn | 4 |
| | | | | 1 | HORIZONTAL SHIELD | Cu ALLOY | | PRE-TIN | 3 |
| | | | | 4 | VERTICAL SHIELD | STAINLESS STEEL | | Ni/Sn | 2 |
| | | | | 1 | HOUSING | PA10T-GF30 | | BLACK | 1 |
| 4-2339800-9 | 4-2339800-9 | A | Z | 12 | PIN | Cu ALLOY | 13.96 | Ni/Sn | 4 |
| | | | | 1 | HORIZONTAL SHIELD | Cu ALLOY | | PRE-TIN | 3 |
| | | | | 4 | VERTICAL SHIELD | STAINLESS STEEL | | Ni/Sn | 2 |
| | | | | 1 | HOUSING | PA4T-GF30 | | WATER BLUE | 1 |
| 4-2339800-7 | 4-2339800-7 | A | J | 12 | PIN | Cu ALLOY | 13.96 | Ni/Sn | 4 |
| | | | | 1 | HORIZONTAL SHIELD | Cu ALLOY | | PRE-TIN | 3 |
| | | | | 4 | VERTICAL SHIELD | Cu ALLOY | | PRE-TIN | 2 |
| | | | | 1 | HOUSING | PA4T-GF30 | | BEIGE | 1 |
| 4-2339800-3 | 4-2339800-3 | A | C | 12 | PIN | Cu ALLOY | 13.96 | Ni/Sn | 4 |
| | | | | 1 | HORIZONTAL SHIELD | Cu ALLOY | | PRE-TIN | 3 |
| | | | | 4 | VERTICAL SHIELD | Cu ALLOY | | PRE-TIN | 2 |
| | | | | 1 | HOUSING | PA4T-GF30 | | BLUE | 1 |
| 4-2339800-2 | 4-2339800-2 | A | B | 12 | PIN | Cu ALLOY | 13.96 | Ni/Sn | 4 |
| | | | | 1 | HORIZONTAL SHIELD | Cu ALLOY | | PRE-TIN | 3 |
| | | | | 4 | VERTICAL SHIELD | Cu ALLOY | | PRE-TIN | 2 |
| | | | | 1 | HOUSING | PA4T-GF30 | | WHITE | 1 |
| 4-2339800-1 | 4-2339800-1 | A | A | 12 | PIN | Cu ALLOY | 13.96 | Ni/Sn | 4 |
| | | | | 1 | HORIZONTAL SHIELD | Cu ALLOY | | PRE-TIN | 3 |
| | | | | 4 | VERTICAL SHIELD | Cu ALLOY | | PRE-TIN | 2 |
| | | | | 1 | HOUSING | PA4T-GF30 | | BLACK | 1 |
| 3-2339800-9 | 2-2339800-9 | A | Z | 12 | PIN | Cu ALLOY | 13.96 | Ni/Sn | 4 |
| | | | | 1 | HORIZONTAL SHIELD | Cu ALLOY | | PRE-TIN | 3 |
| | | | | 4 | VERTICAL SHIELD | STAINLESS STEEL | | Ni/Sn | 2 |
| | | | | 1 | HOUSING | PA4T-GF30 | | WATER BLUE | 1 |
| 3-2339800-7 | 2-2339800-7 | A | J | 12 | PIN | Cu ALLOY | 13.96 | Ni/Sn | 4 |
| | | | | 1 | HORIZONTAL SHIELD | Cu ALLOY | | PRE-TIN | 3 |
| | | | | 4 | VERTICAL SHIELD | STAINLESS STEEL | | Ni/Sn | 2 |
| | | | | 1 | HOUSING | PA4T-GF30 | | BEIGE | 1 |
| 3-2339800-3 | 2-2339800-3 | A | C | 12 | PIN | Cu ALLOY | 13.96 | Ni/Sn | 4 |
| | | | | 1 | HORIZONTAL SHIELD | Cu ALLOY | | PRE-TIN | 3 |
| | | | | 4 | VERTICAL SHIELD | STAINLESS STEEL | | Ni/Sn | 2 |
| | | | | 1 | HOUSING | PA4T-GF30 | | BLUE | 1 |
| 3-2339800-2 | 2-2339800-2 | A | B | 12 | PIN | Cu ALLOY | 13.96 | Ni/Sn | 4 |
| | | | | 1 | HORIZONTAL SHIELD | Cu ALLOY | | PRE-TIN | 3 |
| | | | | 4 | VERTICAL SHIELD | STAINLESS STEEL | | Ni/Sn | 2 |
| | | | | 1 | HOUSING | PA4T-GF30 | | WHITE | 1 |
| 3-2339800-1 | 2-2339800-1 | A | A | 12 | PIN | Cu ALLOY | 13.96 | Ni/Sn | 4 |
| | | | | 1 | HORIZONTAL SHIELD | Cu ALLOY | | PRE-TIN | 3 |
| | | | | 4 | VERTICAL SHIELD | STAINLESS STEEL | | Ni/Sn | 2 |
| | | | | 1 | HOUSING | PA4T-GF30 | | BLACK | 1 |
| 1-2339800-9 | 2339800-9 | A | Z | 12 | PIN | Cu ALLOY | 13.96 | Ni/Sn | 4 |
| | | | | 1 | HORIZONTAL SHIELD | Cu ALLOY | | PRE-TIN | 3 |
| | | | | 4 | VERTICAL SHIELD | Cu ALLOY | | PRE-TIN | 2 |
| | | | | 1 | HOUSING | PA4T-GF30 | | WATER BLUE | 1 |
| 1-2339800-7 | 2339800-7 | A | J | 12 | PIN | Cu ALLOY | 13.96 | Ni/Sn | 4 |
| | | | | 1 | HORIZONTAL SHIELD | Cu ALLOY | | PRE-TIN | 3 |
| | | | | 4 | VERTICAL SHIELD | Cu ALLOY | | PRE-TIN | 2 |
| | | | | 1 | HOUSING | PA4T-GF30 | | BEIGE | 1 |
| 1-2339800-3 | 2339800-3 | A | C | 12 | PIN | Cu ALLOY | 13.96 | Ni/Sn | 4 |
| | | | | 1 | HORIZONTAL SHIELD | Cu ALLOY | | PRE-TIN | 3 |
| | | | | 4 | VERTICAL SHIELD | Cu ALLOY | | PRE-TIN | 2 |
| | | | | 1 | HOUSING | PA4T-GF30 | | BLUE | 1 |
| 1-2339800-2 | 2339800-2 | A | B | 12 | PIN | Cu ALLOY | 13.96 | Ni/Sn | 4 |
| | | | | 1 | HORIZONTAL SHIELD | Cu ALLOY | | PRE-TIN | 3 |
| | | | | 4 | VERTICAL SHIELD | Cu ALLOY | | PRE-TIN | 2 |
| | | | | 1 | HOUSING | PA4T-GF30 | | WHITE | 1 |
| 1-2339800-1 | 2339800-1 | A | A | 12 | PIN | Cu ALLOY | 13.96 | Ni/Sn | 4 |
| | | | | 1 | HORIZONTAL SHIELD | Cu ALLOY | | PRE-TIN | 3 |
| | | | | 4 | VERTICAL SHIELD | Cu ALLOY | | PRE-TIN | 2 |
| | | | | 1 | HOUSING | PA4T-GF30 | | BLACK | 1 |

- INTERFACE DESIGN ARE ACCORDING TO TE DRAWING: 208-18037 OR 208-18192
- △ CENTER OF GRAVITY
- 3 ALL DIMENSIONS IN () FOR INFORMATION ONLY
- 4 SOLDERING PROCESS: LEAD FREE REFLOW SOLDERING IN REFERENCE TO JEDEC J-STD-020D
- △ VACUM GRIP AREA FREE OF SCRATCH
- △ PCB TOP LAYER MUST BE GND PLANE, EXCEPT THE NEED SIGNAL PATHES AND CUT OUT AREA
- 7 MATED WITH TE PLUG X-2333538-X OR X-2334013-X OR X-2317303-X.
- △ CUT OUT AREA IS VARIANT FOR CODINGS. DETAIL REFER TO CVM OR CONTACT WITH TE PRODUCT ENGINEER.
- △ TRAY SIZE: 350*260*36.7mm.
- △ TRAY SIZE: 320*210*29mm.
- 11 PRODUCTION VALIDATION TEST ACCORDING TO LV214 (MBN10384) AND USCAR-2

THIS DRAWING IS A CONTROLLED DOCUMENT. DWN: G.Y.CHEN 24OCT22
 CHK: D.ZHU 24OCT22
 F.PAN 24OCT22
 NAME: MATEnet 90deg HEADER 2X3 PORTS
 APPLICATION SPEC: 108-94568

STE TE Connectivity

SIZE: A1 CAGE CODE: DRAWING NO: C=2339800 RESTRICTED TO: A1

SCALE: 3:1 SHEET: 1 OF 1 REV: A6