

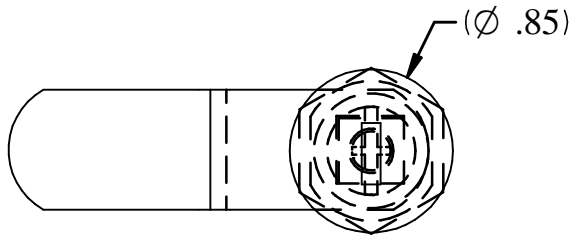
PART No. 1427LKN4

for more information visit

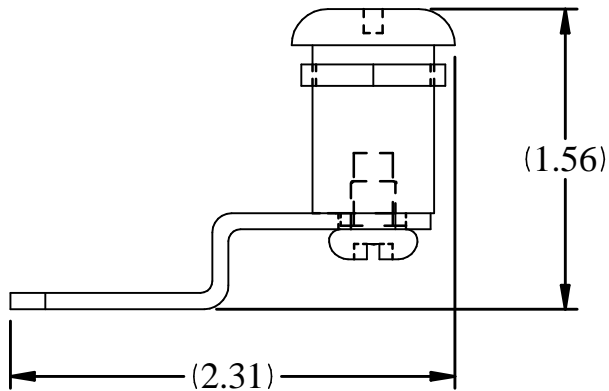
[www.hammondmfg.com](http://www.hammondmfg.com)

Data subject to change without notice

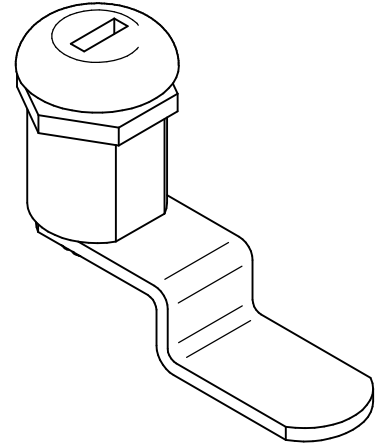
Isometric drawing Not to Scale



TOP VIEW



FRONT VIEW



ISOMETRIC VIEW