

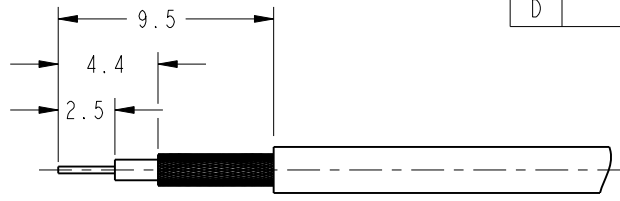
NOTES:

1. MATERIALS AND FINISHES(PLATING THICKNESS IN MICRO-INCHES):
 BODY, FERRULE, RETAINING RING - BERYLLIUM COPPER, WHITE BRONZE PLATING MIN 80 THICK
 CONTACT - BERYLLIUM COPPER, GOLD PLATING MIN 30 THICK
 INSULATOR - PTFE
2. ELECTRICAL:
 A. IMPEDANCE: 50 OHM
 B. DIELECTRIC WITHSTANDING VOLTAGE: 750 VRMS, MIN.
3. MECHANICAL:
 A. DURABILITY: 500 CYCLES MIN.
 B. TEMPERATURE RANGE: -65°C to +165°C
4. CRIMPED FERRULE
 HEX CRIMP SIZE .105"
5. CENTER CONDUCTOR TO BE SOLDERED TO CENTER CONTACT
6. PACKAGING:
 A. QUANTITY: SINGLE PACK
 B. MARKING: BAG TO BE MARKED
 "AMPHENOL, 902-NM5809, DATE CODE AND REV LEVEL"

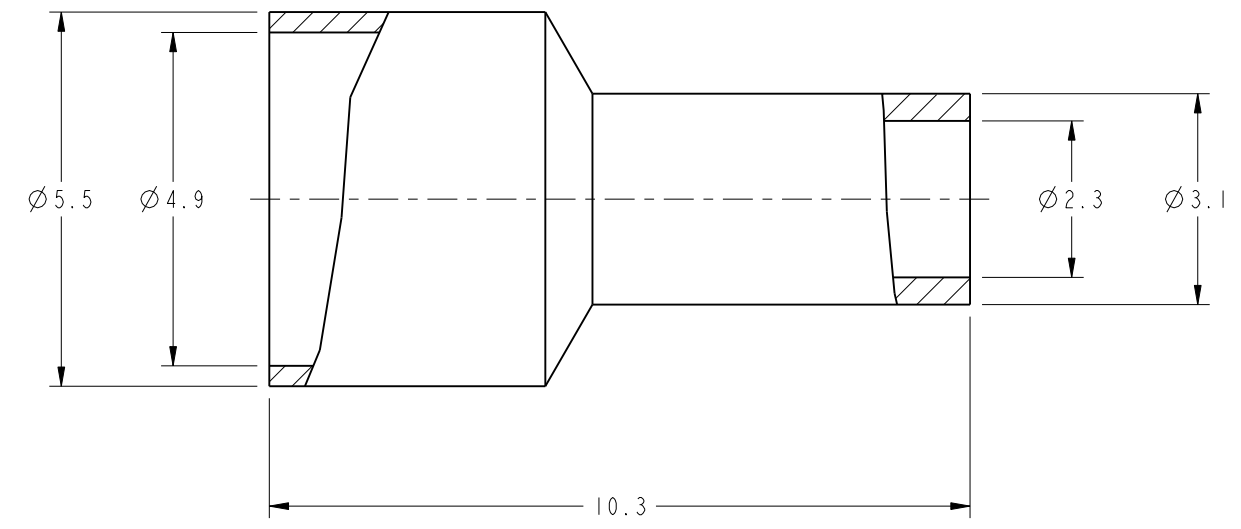
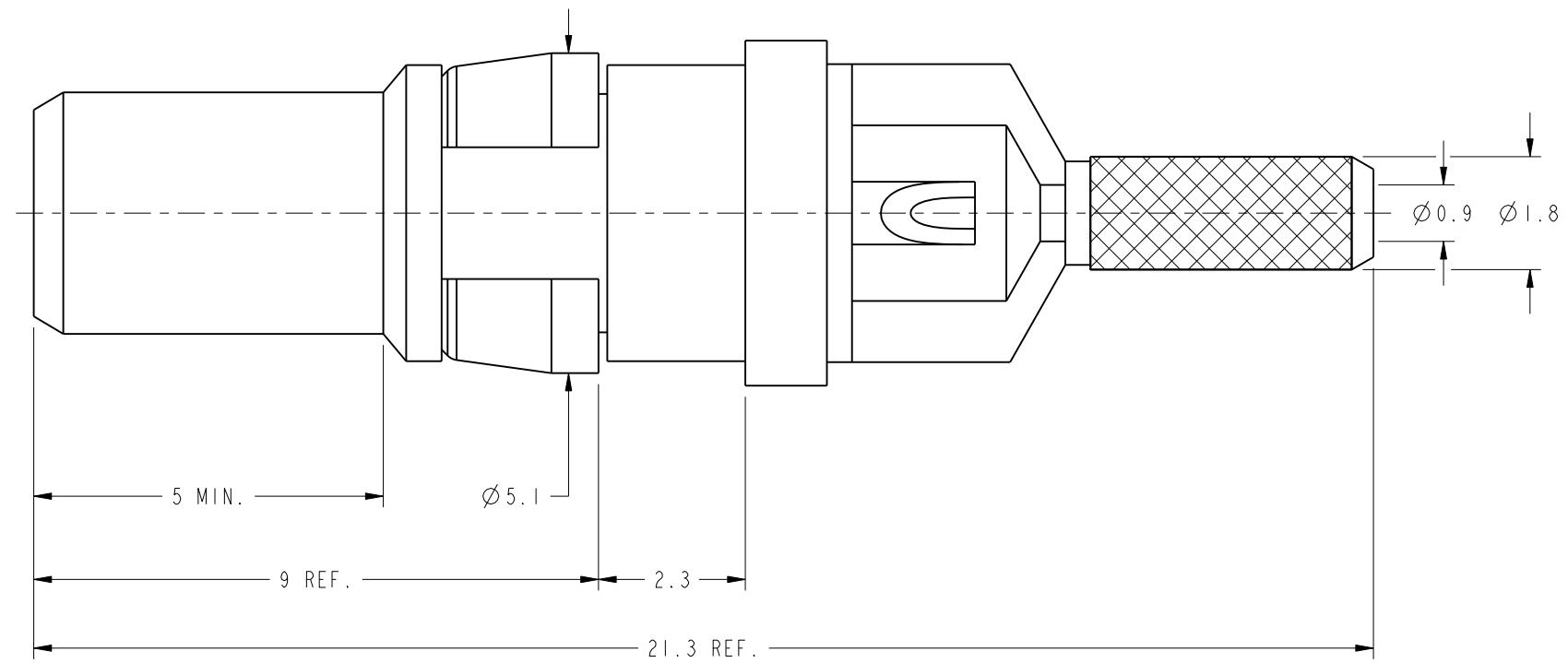
THIRD ANGLE PROJ.

REVISIONS

| REV | DESCRIPTION | DATE | ECO | APPR |
|-----|---|-----------|-------|------|
| A | RELEASE TO MFG | 24-Aug-09 | 47755 | SH |
| B | CRIMP TOOL'S SIZE WAS CHANGED\RD-DM1007220IT1 | 27-Jul-10 | 48184 | SH |
| C | ADDED REV LEVEL TO PACKAGING | 02-Nov-12 | 49306 | SH |
| D | IMPROVED THE STAKING PROCESS | 07-Mar-13 | 49477 | SH |



RECOMMENDED
CABLE STRIPPING DIM'S



CUSTOMER OUTLINE DRAWING
ALL OTHER SHEETS ARE FOR INTERNAL USE ONLY

| | | | | | |
|--|--|-------------------------|----------------------|---|-----------------------------------|
| UNLESS OTHERWISE SPECIFIED, DIMENSIONS ARE IN METRIC AND TOLERANCES ARE: <0.5mm ±0.05mm 0.5 - 6mm ±0.1mm 6 - 30mm ±0.2mm 30 - 120mm ±0.3mm ANGLES ±1° | MATERIAL SEE NOTES | DRAWN T. DENG | DATE 07-Mar-13 | TITLE D-SUB CRIMP PLUG FOR RG 178 NON-MAGNETIC | Amphenol RF www.amphenolrf.com |
| | NOTICE - These drawings, specifications, or other data (1) are, and remain the property of Amphenol corp. (2) must be returned upon request; and (3) are confidential and not to be disclosed to any person other than those to whom they are given by Amphenol Corp. the finishing of these drawings, specifications, or other data by Amphenol Corp., or to any other person to anyone for any purpose is not to be regarded by implication or otherwise in any manner licensing, granting rights to permitting such holder or any other person to manufacture, use or sell any product, process or design, patented or otherwise, that may in any way be related to or disclosed by said drawings, specifications, or other data. | REFERENCE EAR # 2801 | ENGINEER R. RAJAN | | |
| | | CONFIGURATION LEVEL: | APPROVED S. HSIEH | DATE 07-Mar-13 | SCALE: 9.0:1.0 SHEET 2 OF 2 |
| | FINISH | CAD FILE | DWG SIZE B | REV D | PART NO. 902-NM5809 |