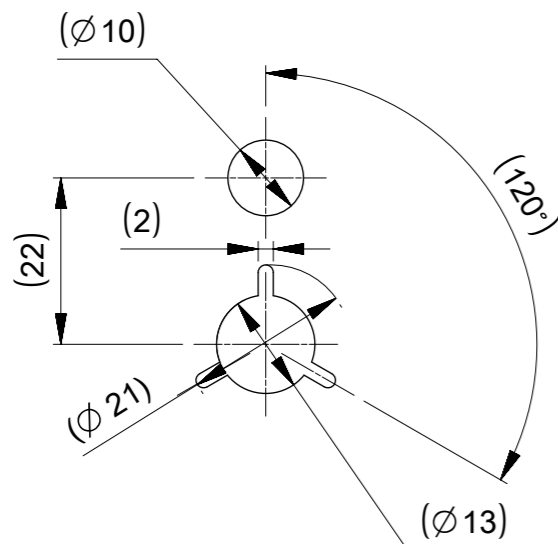
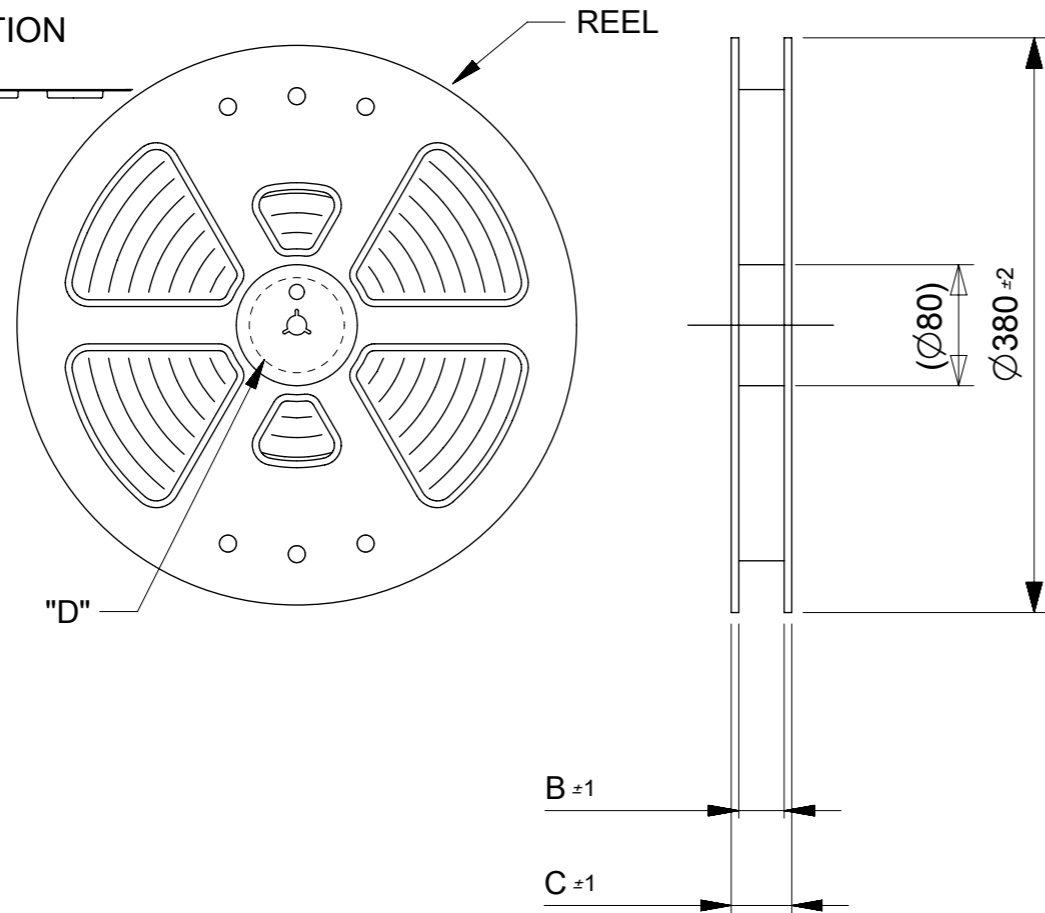


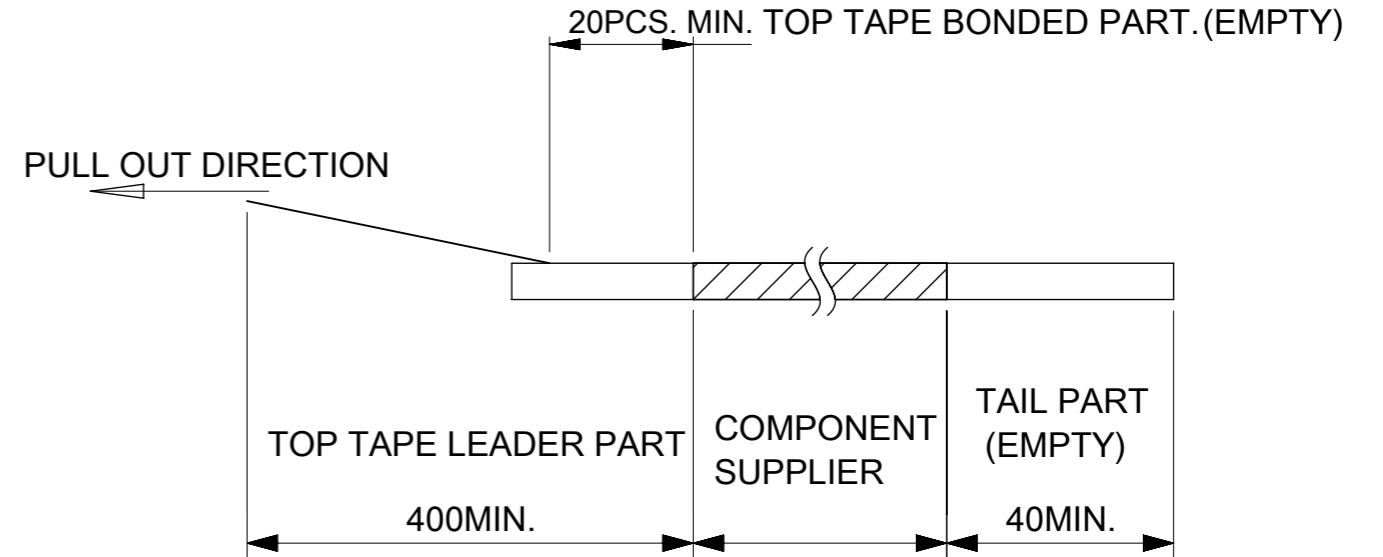
PULL OUT DIRECTION



DETAIL "D"

NOTES

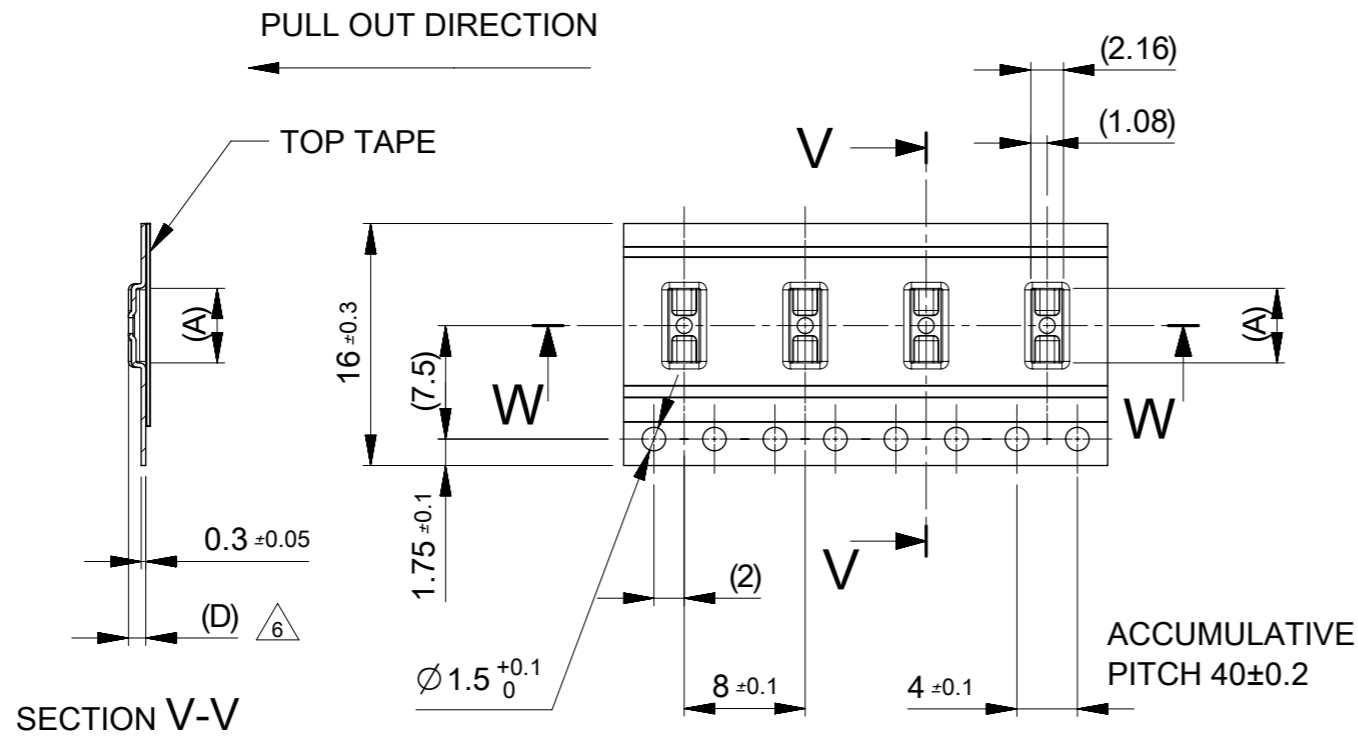
1. RE DETAILED DIMENSION, SEE PRODUCT DRAWING.
2. NUMBER OF CONNECTORS : 8000 PCS/REEL.
3. LEAD TAPE LENGTH.



4. TOP TAPE PEEL FORCE IS DEFINED BY IEC60286-3
5. MATERIAL  
CARRER TAPE :POLYSTYRENE  
TOP TAPE :PET , OTHER  
REEL :POLYSTYRENE(PS)(RECYCLE MATERIAL CONTAINED)
6. Only 6 circuit is different in this dimension.

MODEL NO. 505070-\*\*22

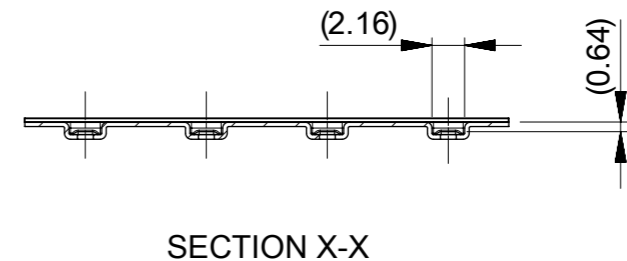
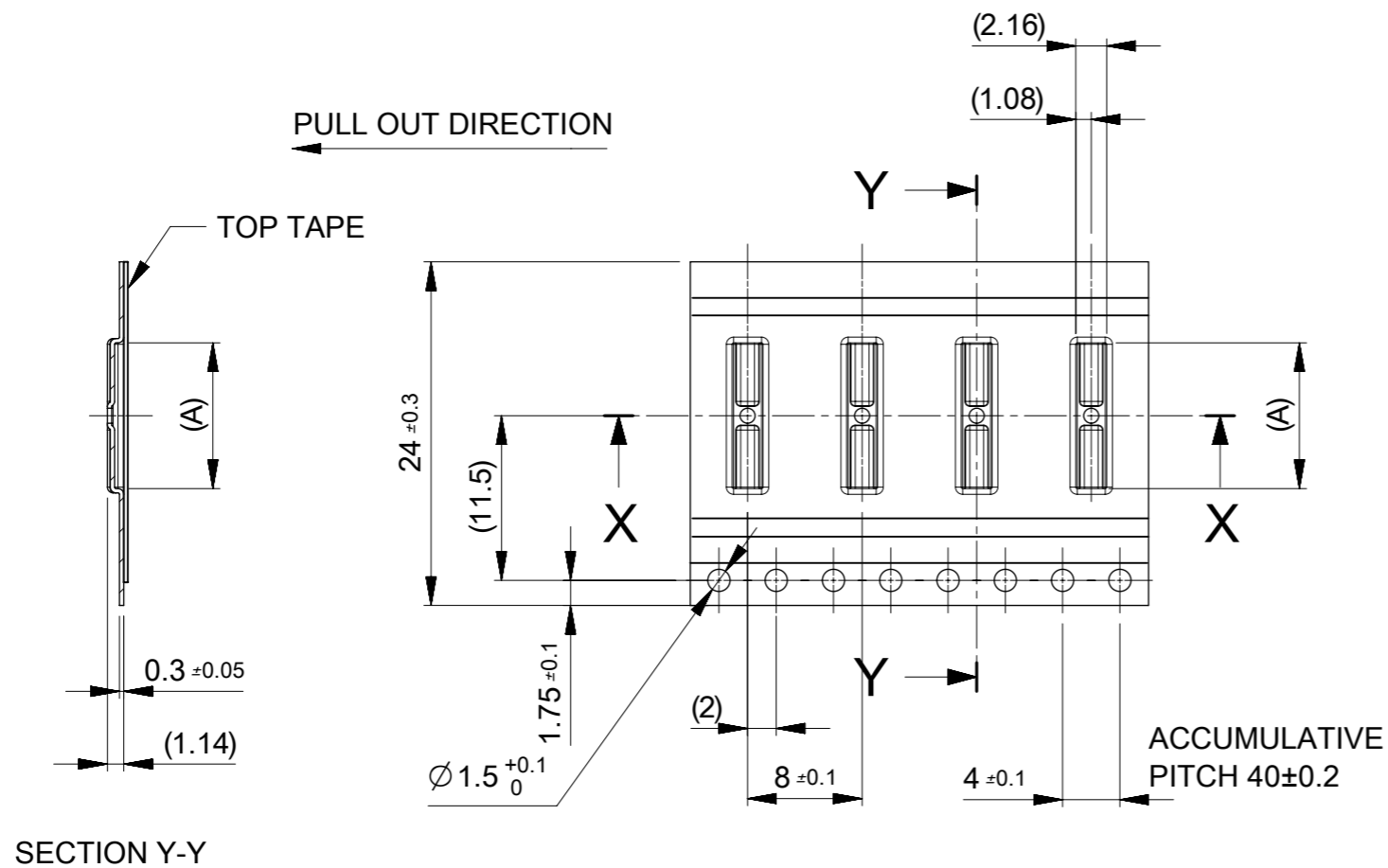
THIS DRAWING CONTAINS INFORMATION THAT IS PROPRIETARY TO MOLEX ELECTRONIC TECHNOLOGIES, LLC AND SHOULD NOT BE USED WITHOUT WRITTEN PERMISSION		CURRENT REV DESC: RELEASED		<b>molex</b>	
DIMENSION UNITS	SCALE				
mm	1:5			PRODUCT CUSTOMER DRAWING	
GENERAL TOLERANCES (UNLESS SPECIFIED)		EC NO: 612826		DOCUMENT NUMBER	
ANGULAR TOL ± 1.0°		DRWN: GSHARMA 2019/02/22		5050700000	
4 PLACES ± 0.01		CHK'D: MSASAO 2019/02/27		DOC TYPE	
3 PLACES ± 0.03		APPR: MSASAO 2019/02/27		PSD	
2 PLACES ± 0.05		INITIAL REVISION:		DOC PART	
1 PLACE ± 0.1		DRWN: TNISHIDA02 2017/03/28		007	
0 PLACES ± 0.2		APPR: TKUSUHARA01 2017/04/03		REVISION	
DRAFT WHERE APPLICABLE MUST REMAIN WITHIN DIMENSIONS		THIRD ANGLE PROJECTION		CUSTOMER	
		DRAWING		GENERAL	
		A3-SIZE		SHEET NUMBER	
		SERIES		1 OF 3	
		505070			
		MATERIAL NUMBER			
		SEE CHART			



16	0.64	1.14	21.4	17.4	6.68	505070-3022	○	---	30				
					5.63	505070-2422	○	---	24				
					5.28	505070-2222	○	---	22				
					4.93	505070-2022	○	---	20				
					4.58	505070-1822	---	---	18				
					4.23	505070-1622	○	---	16				
					3.88	505070-1422	○	---	14				
					3.53	505070-1222	○	---	12				
					3.18	505070-1022	○	---	10				
					2.78	505070-0822	○	---	8				
					2.43	505070-0622	○	---	6				
キャリアテープ幅 CARRIER TAPE WIDTH					(E)	(D)	C	B	(A)	MATERIAL No.	HIGH VOL. TOOL	LOW VOL. TOOL	CIRCUIT
											SAMPLE PREPARATION		

THIS DRAWING CONTAINS INFORMATION THAT IS PROPRIETARY TO MOLEX ELECTRONIC TECHNOLOGIES, LLC AND SHOULD NOT BE USED WITHOUT WRITTEN PERMISSION

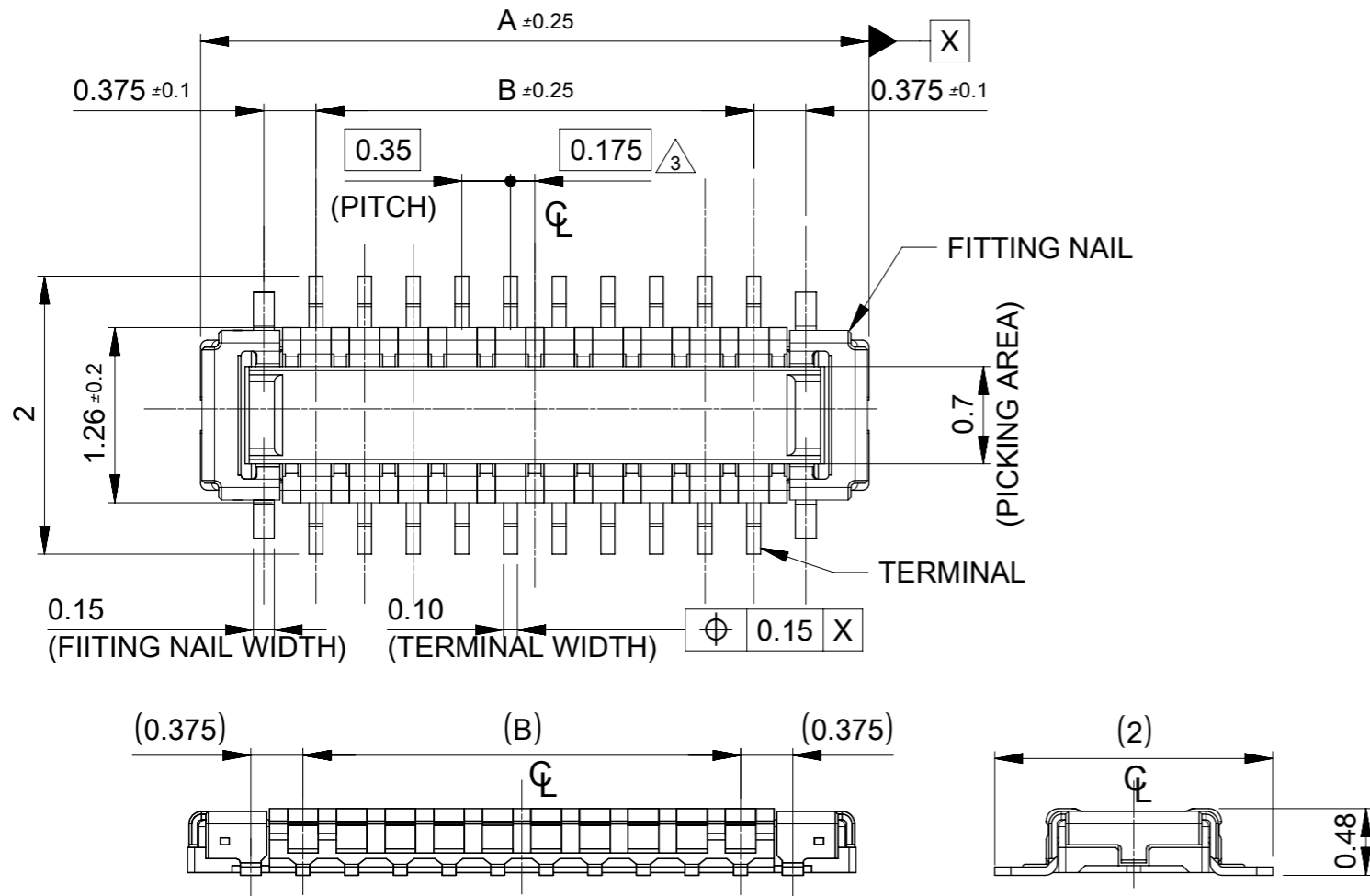
DIMENSION UNITS mm	SCALE 2:1	CURRENT REV DESC: RELEASED					
GENERAL TOLERANCES (UNLESS SPECIFIED)		<b>molex</b> 0.35 BB CONN. H=0.6 SSB6 RP PLUG ASSY PRODUCT CUSTOMER DRAWING					
ANGULAR TOL	± 1.0°						
4 PLACES	± 0.01						
3 PLACES	± 0.03						
2 PLACES	± 0.05						
1 PLACE	± 0.1						
0 PLACES	± 0.2	EC NO: 612826 DRWN: GSHARMA 2019/02/22 CHK'D: MSASAO 2019/02/27 APPR: MSASAO 2019/02/27 INITIAL REVISION: DRWN: TNISHIDA02 2017/03/28 APPR: TKUSUHARA01 2017/04/03					
DRAFT WHERE APPLICABLE MUST REMAIN WITHIN DIMENSIONS		THIRD ANGLE PROJECTION	DRAWING A3-SIZE	SERIES 505070	MATERIAL NUMBER SEE CHART	CUSTOMER GENERAL	SHEET NUMBER 2 OF 3



24	29.4	25.4	12.63	505070-6422	---	---	64
			11.93	505070-6022	---	---	60
			10.88	505070-5422	○	---	54
			10.18	505070-5022	○	---	50
			9.83	505070-4822	○	---	48
			9.48	505070-4622	---	---	46
			8.78	505070-4222	○	---	42
			8.43	505070-4022	○	---	40
			7.38	505070-3422	○	---	34
キャリアテープ幅 CARRIER TAPE WIDTH	C	B	(A)	MATERIAL No.	HIGH VOL TOOL	LOW VOL TOOL	CIRCUIT
					SAMPLE PREPARATION		

THIS DRAWING CONTAINS INFORMATION THAT IS PROPRIETARY TO MOLEX ELECTRONIC TECHNOLOGIES, LLC AND SHOULD NOT BE USED WITHOUT WRITTEN PERMISSION							
DIMENSION UNITS mm		SCALE 2:1		CURRENT REV DESC: RELEASED			
GENERAL TOLERANCES (UNLESS SPECIFIED)				<b>molex</b>			
ANGULAR TOL ± 1.0°							
4 PLACES ± 0.01				EC NO: 612826			
3 PLACES ± 0.03				DRWN: GSHARMA 2019/02/22			
2 PLACES ± 0.05				CHK'D: MSASAO 2019/02/27			
1 PLACE ± 0.1				APPR: MSASAO 2019/02/27			
0 PLACES ± 0.2				INITIAL REVISION:			
DRAFT WHERE APPLICABLE MUST REMAIN WITHIN DIMENSIONS				THIRD ANGLE PROJECTION		DRAWING	
		A3-SIZE		SERIES		MATERIAL NUMBER	
		505070		CUSTOMER		SHEET NUMBER	
		SEE CHART		GENERAL		3 OF 3	

0.35 BB CONN. H=0.6 SSB6 RP PLUG ASSY			
PRODUCT CUSTOMER DRAWING			
DOCUMENT NUMBER	DOC TYPE	DOC PART	REVISION
5050700000	PSD	007	B



- 1 MATERIAL  
 WAFER: LIQUID CRYSTAL POLYMER UL94V-0 (COLOR: BLACK)  
 TERMINAL: COPPER ALLOY  
 FITTING NAIL: COPPER ALLOY
- 2 PLATING  
 TERMINAL:  
 CONTACT AREA: SEPARATED GOLD PLATING (0.1 MICROMETER MINIMUM).  
 SOLDER TAIL AREA: SEPARATED GOLD PLATING.  
 UNDERPLATE: NICKEL OVERALL.  
 \*DIVIDE INTO PARTS THE GOLD PLATING OF THE CONTACT AND THE TAIL PART BY THE NICKEL PLATING.
- FITTING NAIL:  
 CONTACT AREA: SEPARATED GOLD PLATING (0.1 MICROMETER MINIMUM).  
 SOLDER TAIL AREA: SEPARATED GOLD PLATING.  
 UNDERPLATE: NICKEL OVERALL.  
 \*DIVIDE INTO PARTS THE GOLD PLATING OF THE CONTACT AND THE TAIL PART BY THE NICKEL PLATING.  
 \*EVEN THOUGH GOLD PLATING ON THE TOP SURFACE OF NAIL MIGHT BE THIN, NO FUNCTIONAL PROBLEM.

- △<sub>3</sub> APPLY FOR (CIRCUIT/2)=EVEN.
- 4 MATE WITH :505066-\*\*22 (H=0.6) , 505270\*\*12 (H=0.7)
- 5 TAIL AND FITTING NAIL COPLANARITY TO BE 0.08 MAXIMUM.
- △<sub>6</sub> PROHIBITED AREA OF PATTERN WIRING AND SOLDER.  
 (FOR EACH AREA, THE WIRING THAT TOUCHES ON THE SOLDER CAN BE ATTACHED, THEN COVERED WITH A FILM TO KEEP SOLDER OUT).
- △<sub>7</sub> THIS DIMENSION SHOWS THE DIMENSION BETWEEN SOLDERING SURFACE OF SOLDER TAILS.

14.76	14.16	11.90	13.56	505070-7022	---	---	70
13.71	13.11	10.85	12.51	505070-6422	---	---	64
13.01	12.41	10.15	11.81	505070-6022	---	---	60
12.66	12.06	9.80	11.46	505070-5822	---	---	58
11.96	11.36	9.10	10.76	505070-5422	○	---	54
11.26	10.66	8.40	10.06	505070-5022	○	---	50
10.91	10.31	8.05	9.71	505070-4822	○	---	48
10.56	9.96	7.70	9.36	505070-4622	---	---	46
9.86	9.26	7.00	8.66	505070-4222	○	---	42
9.51	8.91	6.65	8.31	505070-4022	○	---	40
9.16	8.56	6.30	7.96	505070-3822	---	---	38
8.46	7.86	5.60	7.26	505070-3422	○	---	34
7.76	7.16	4.90	6.56	505070-3022	○	---	30
6.71	6.11	3.85	5.51	505070-2422	○	---	24
6.36	5.76	3.50	5.16	505070-2222	○	---	22
6.01	5.41	3.15	4.81	505070-2022	○	---	20
5.66	5.06	2.80	4.46	505070-1822	---	---	18
5.31	4.71	2.45	4.11	505070-1622	○	---	16
4.96	4.36	2.10	3.76	505070-1422	○	---	14
4.61	4.01	1.75	3.41	505070-1222	○	---	12
4.26	3.66	1.40	3.06	505070-1022	○	---	10
3.91	3.31	1.05	2.71	505070-0822	○	---	8
3.56	2.96	0.70	2.36	505070-0622	○	---	6

D	C	B	A	EMBOSSED TAPE PACKAGE	HIGH VOL. TOOL	LOW VOL. TOOL	CIRCUIT
				ORDER NO.	SAMPLE PREPARATION ○ : TOOLED △ : WORK IN PROCESS ---: TOOLING TO BE CONFIRMED		

CONNECTOR SERIES NO. : 505070-\*\*19

THIS DRAWING CONTAINS INFORMATION THAT IS PROPRIETARY TO MOLEX ELECTRONIC TECHNOLOGIES, LLC AND SHOULD NOT BE USED WITHOUT WRITTEN PERMISSION

DIMENSION UNITS: mm SCALE: 20:1 CURRENT REV DESC: RELEASED

GENERAL TOLERANCES (UNLESS SPECIFIED): ANGULAR TOL ± 1.0°

4 PLACES ± 0.01  
 3 PLACES ± 0.03  
 2 PLACES ± 0.05  
 1 PLACE ± 0.1  
 0 PLACES ± 0.2

DRAFT WHERE APPLICABLE MUST REMAIN WITHIN DIMENSIONS

THIRD ANGLE PROJECTION

DRAWING: A3-SIZE SERIES: 505070 MATERIAL NUMBER: SEE CHART CUSTOMER: GENERAL SHEET NUMBER: 1 OF 2

EC NO: 646121 DRWN: YSEKI01 2019/09/19  
 CHK'D: STERUKI 2020/09/28  
 APPR: YNAITO 2020/09/28

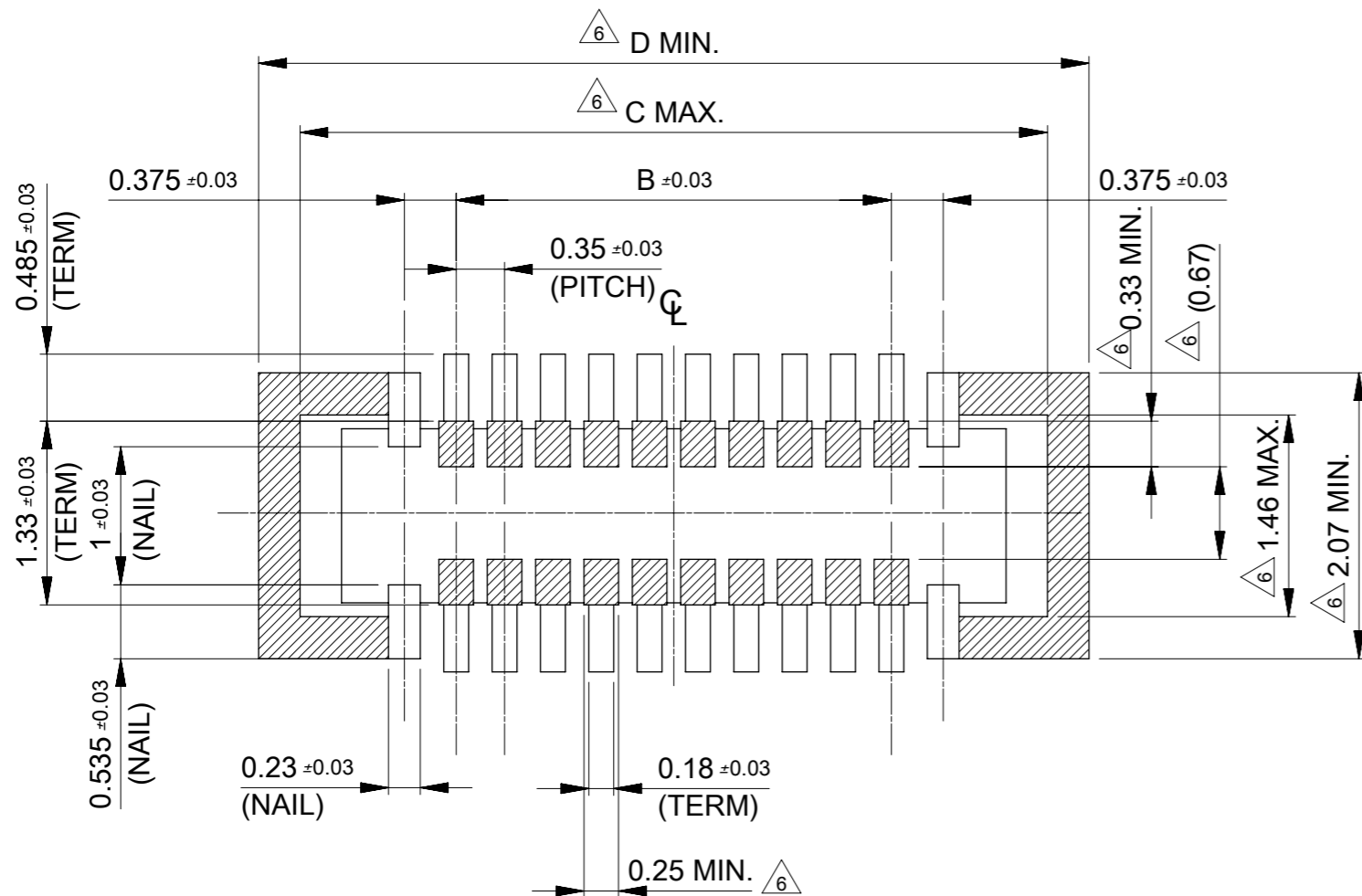
INITIAL REVISION: DRWN: TNISHIDA02 2017/03/28  
 APPR: TKUSUHARA01 2017/04/03

DOCUMENT NUMBER: 5050701000 DOC TYPE: PSD DOC PART: 019 REVISION: C

**molex**

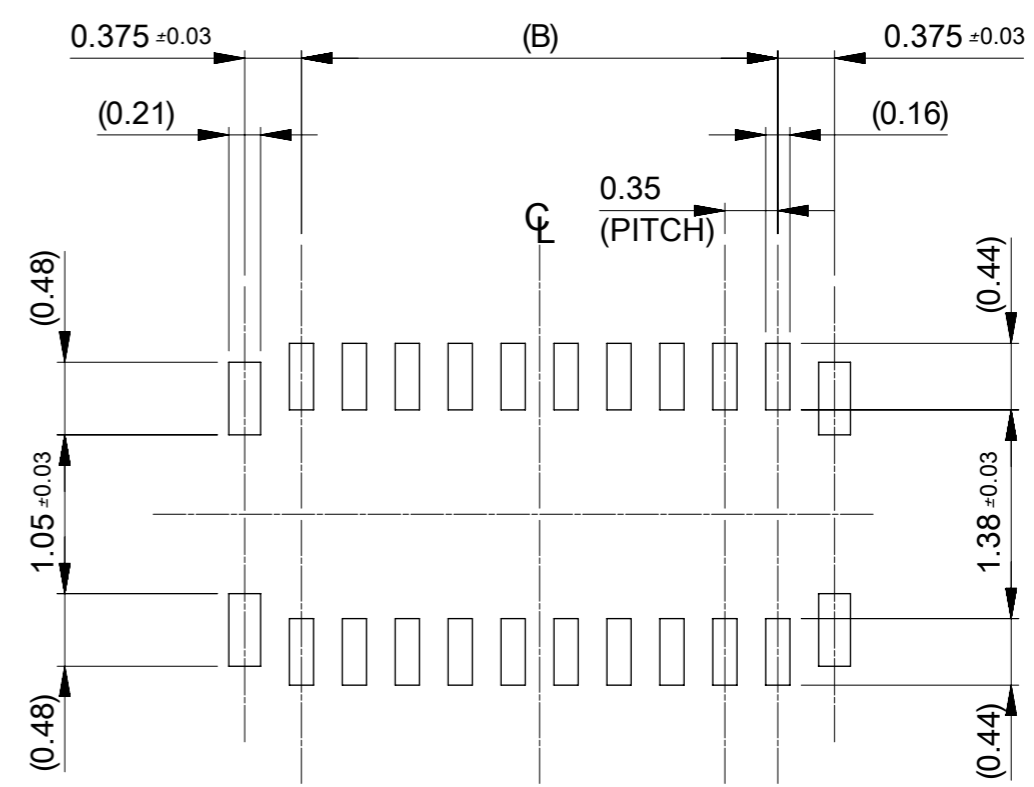
0.35 BB CONN. SSB6 RP PLUG ASSY

PRODUCT CUSTOMER DRAWING



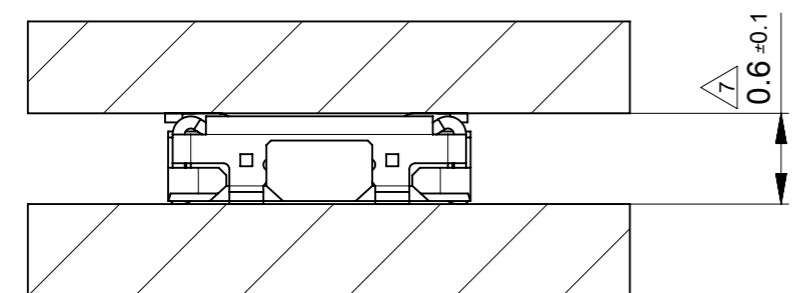
**RECOMMENDED P.W.BOARD PATTERN LAYOUT(REFERENCE)**

**△6 PROHIBITED AREA OF PATTERN WIRING AND SOLDER.  
(FOR EACH AREA, THE WIRING THAT TOUCHES ON THE SOLDER  
CAN BE ATTACHED, THEN COVERED WITH A FILM TO KEEP SOLDER OUT.)**

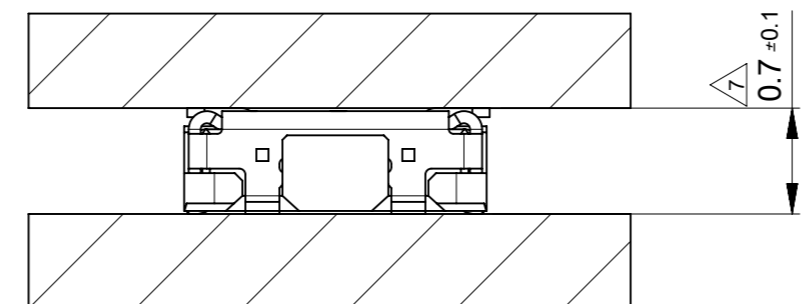


**RECOMMENDED METAL MASK LAYOUT(REFERENCE)**

**RECOMMENDED THICKNESS OF METAL MASK : t=0.08mm  
RECOMMENDED OPEN APERTURE RATIO OF METAL MASK : 80%**



**MATED CONDITION (505066/505070)**



**MATED CONDITION (505270/505070)**

THIS DRAWING CONTAINS INFORMATION THAT IS PROPRIETARY TO MOLEX ELECTRONIC TECHNOLOGIES, LLC AND SHOULD NOT BE USED WITHOUT WRITTEN PERMISSION		CURRENT REV DESC: RELEASED		<b>molex</b>	
DIMENSION UNITS	SCALE				
mm	20:1			0.35 BB CONN. SSB6 RP PLUG ASSY	
GENERAL TOLERANCES (UNLESS SPECIFIED)				PRODUCT CUSTOMER DRAWING	
ANGULAR TOL	± 1.0 °			DOCUMENT NUMBER	
4 PLACES	± 0.01	EC NO: 646121		5050701000	
3 PLACES	± 0.03	DRWN: YSEKI01	2019/09/19	DOC TYPE	DOC PART
2 PLACES	± 0.05	CHK'D: STERUKI	2020/09/28	PSD	019
1 PLACE	± 0.1	APPR: YNAITO	2020/09/28	REVISION	
0 PLACES	± 0.2	INITIAL REVISION:		C	
DRAFT WHERE APPLICABLE MUST REMAIN WITHIN DIMENSIONS		DRWN: TNISHIDA02	2017/03/28		
THIRD ANGLE PROJECTION		APPR: TKUSUHARA01	2017/04/03		
DRAWING		SERIES	MATERIAL NUMBER	CUSTOMER	
A3-SIZE		505070	SEE CHART	GENERAL	
SHEET NUMBER		2 OF 2			