



American Hakko Products, Inc.

PRODUCT BULLETIN

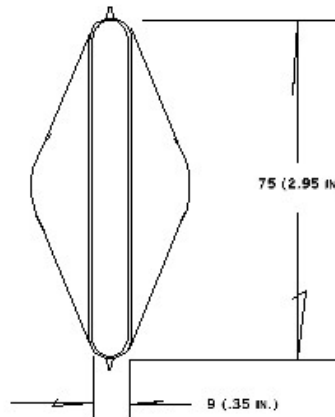
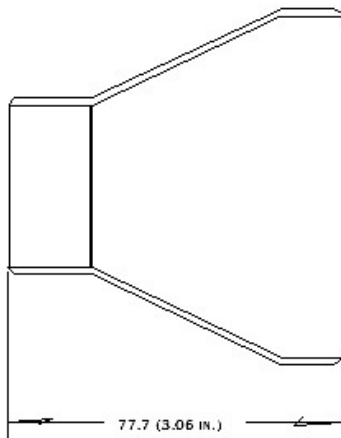
Bulletin No: PB237

Issue Date: February 01, 2006

Product:
75mm Spreader nozzle for HJ5000 Heat Gun

Part No:
999-219

Specification:



Comments:

Provides even distribution of air over a large area for drying, stripping paint, shaping plastic, etc...

Available:

February 01, 2006

For pricing information, please contact your local American Hakko representative or our customer service department at (661) 294-0090.

From...

American Hakko Products, Inc.
28920 N. Avenue Williams.
Valencia, CA 91355
Tel: (661) 294-0090
Fax: (661) 294-0096
www.hakkousa.com
AHP14 Rev 2000-01