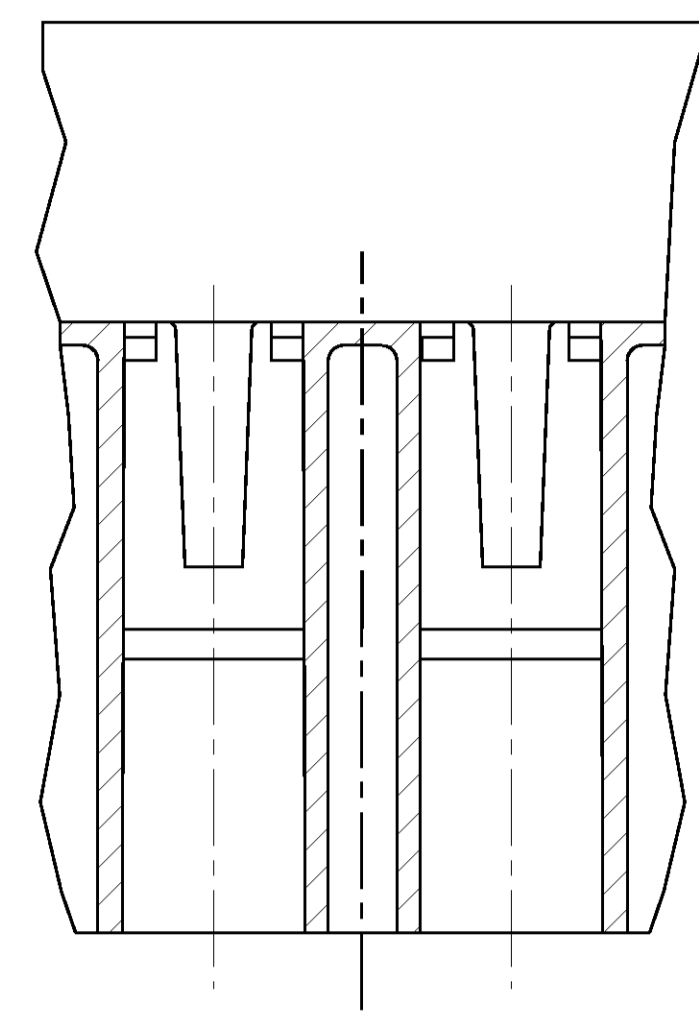
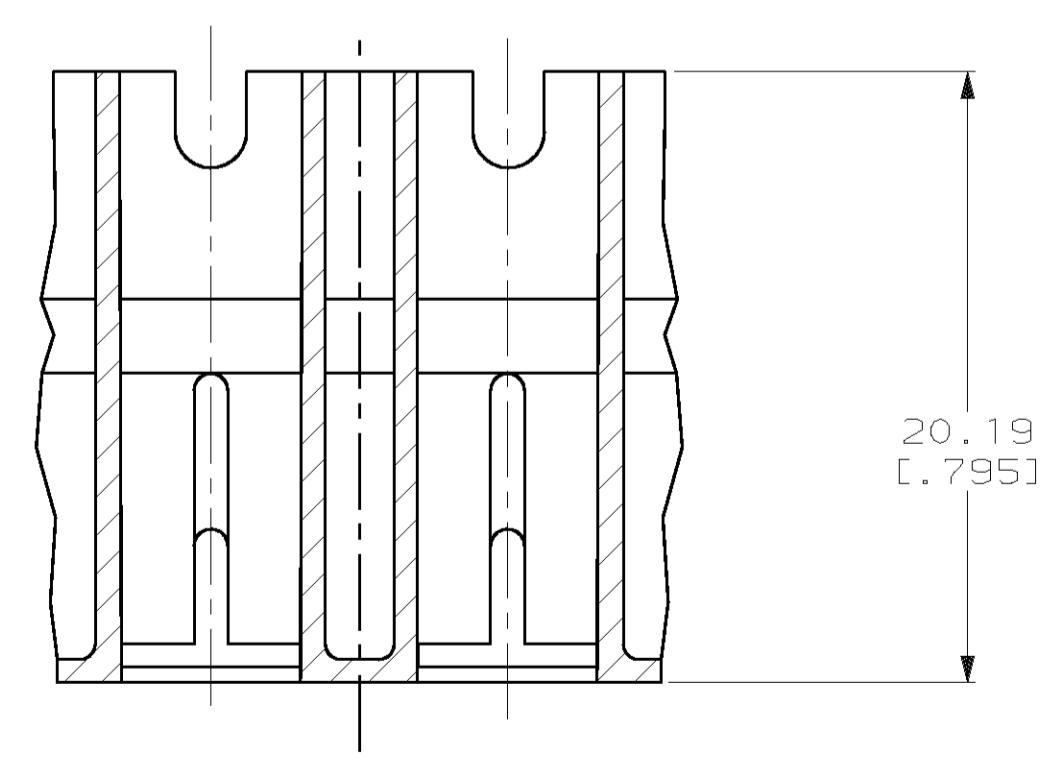
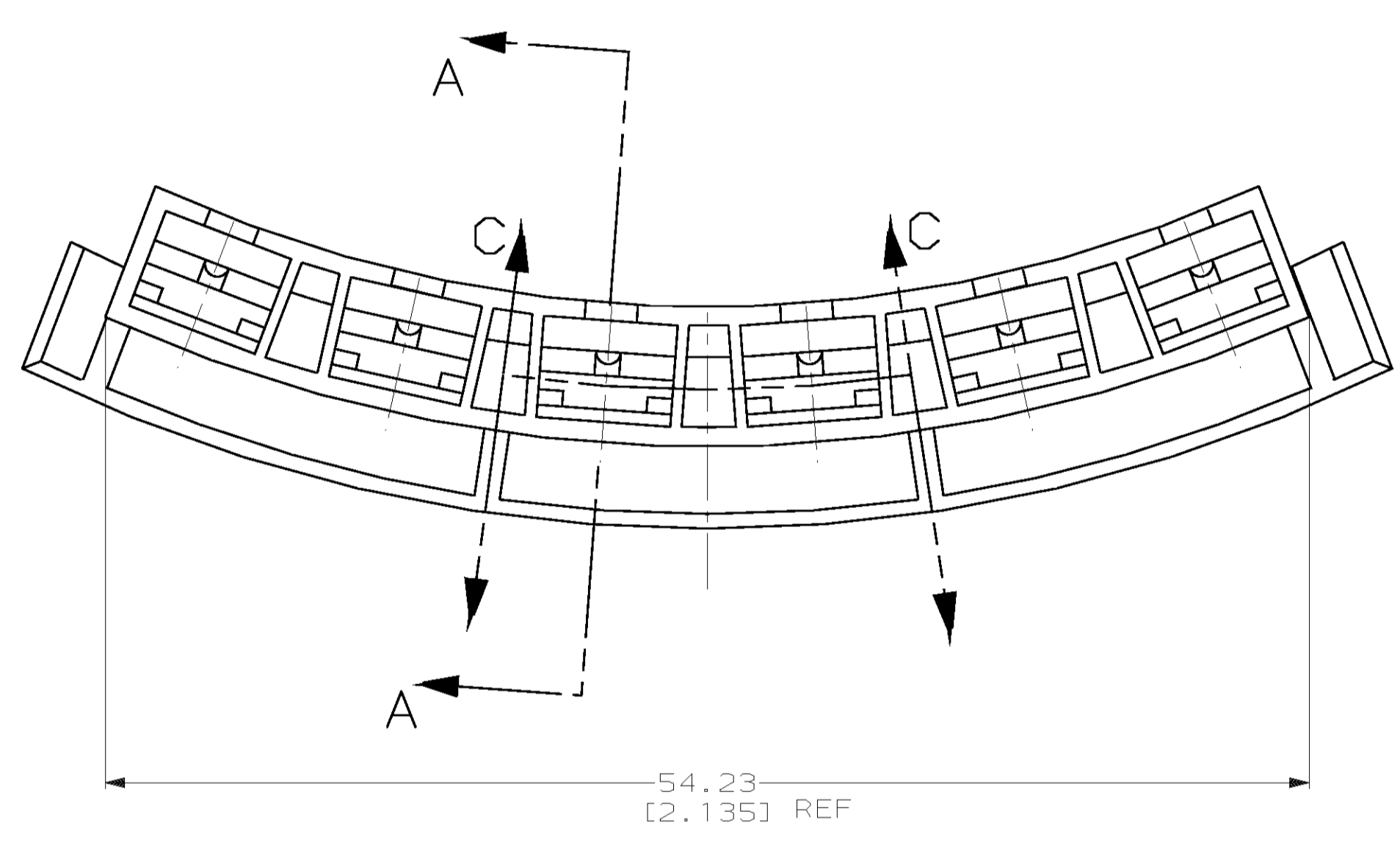


REVISONS		DATE	OWN	APPRO
AF	50			
G	REL PER	063A-0546-02	09SEP02	JR ND

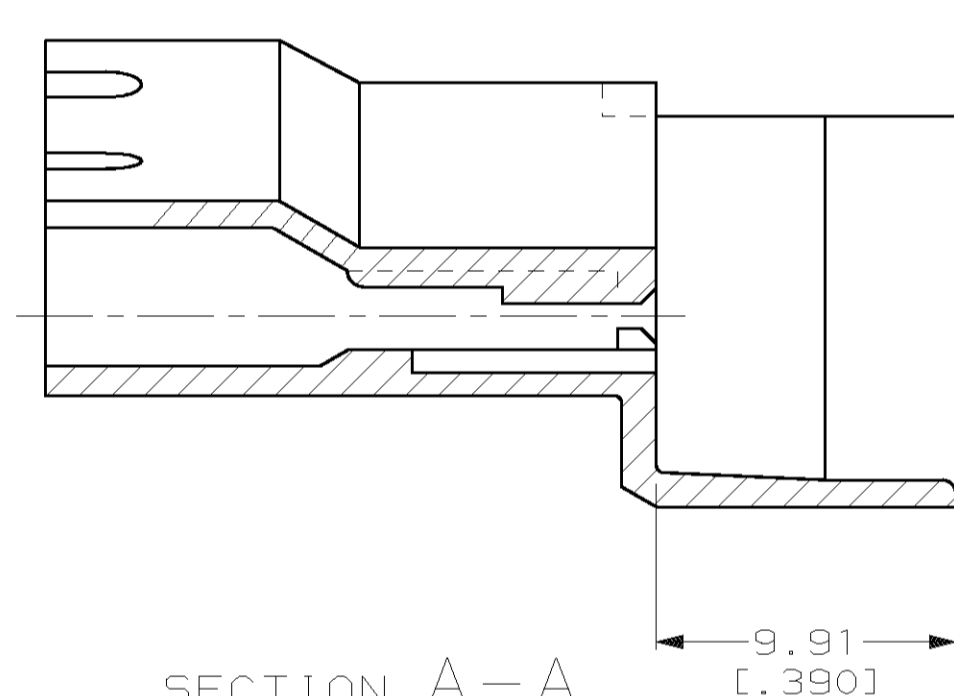
1 USE WITH TERMINAL PART NUMBER: 1217608-1.



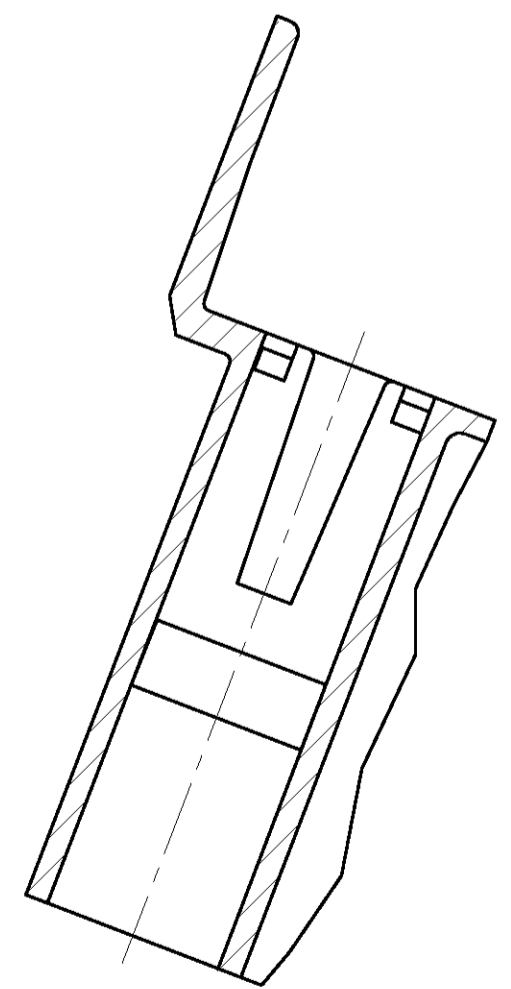
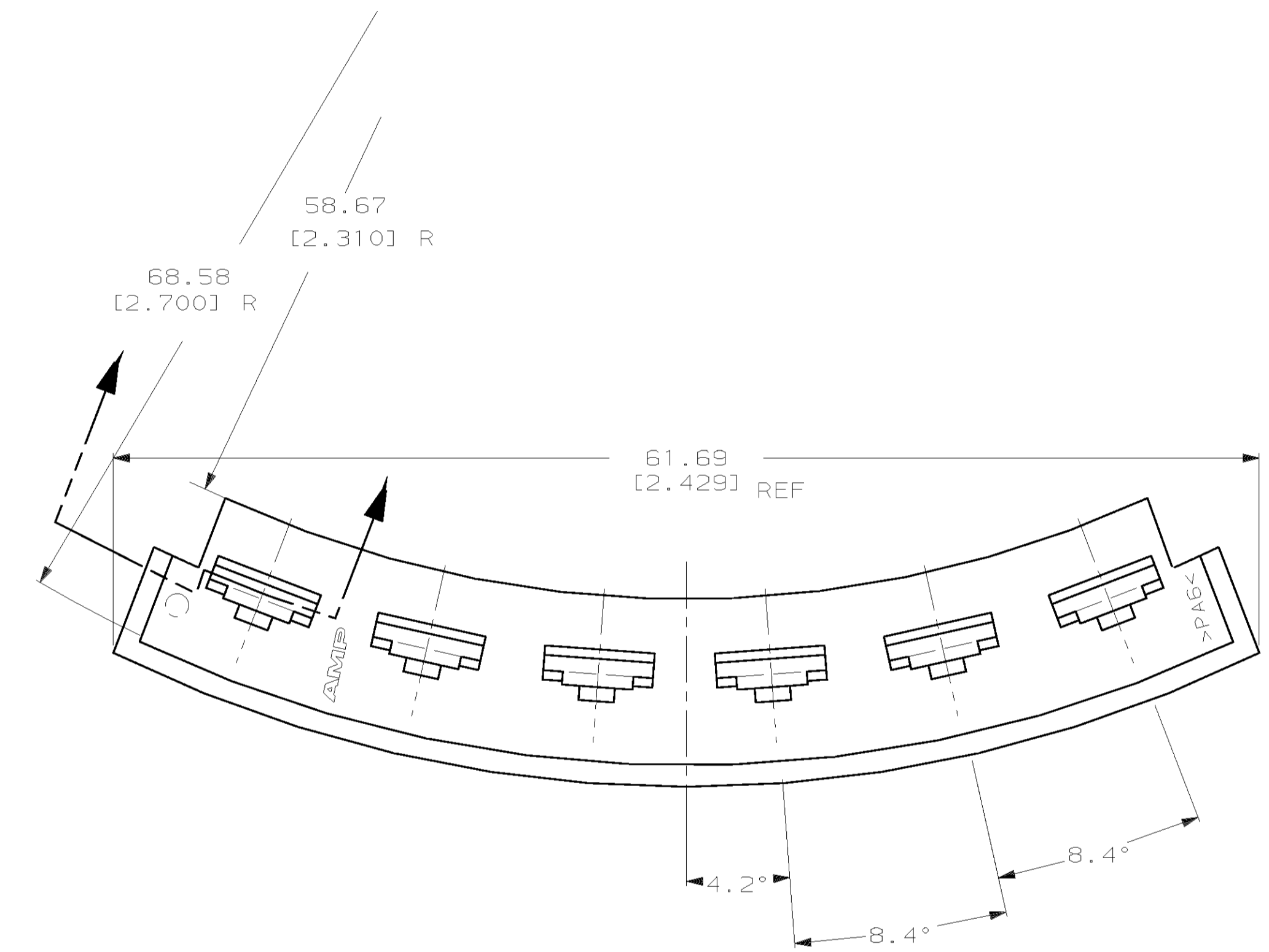
SECTION B-B
WITH ENTIRE REAR VIEW



SECTION C-C



SECTION A-A



521381-1
PART NUMBER

THIS DRAWING IS A CONTROLLED DOCUMENT.		DWN MICHAEL S. FEHER 13FEB2001	AMP Incorporated Harrisburg, PA 17105-3608
DIMENSIONS: mm [INCHES]		CHK KURT A. RANDOLPH 13FEB2001	
TOLERANCES UNLESS OTHERWISE SPECIFIED:		NAME KURT A. RANDOLPH	HOUSING, RECEPTACLE, FASTIN-FASTON™ 6 POSITION, 4.75 [0.187] SERIES
0 PLC ±-		PRODUCT SPEC	
1 PLC ±-		APPLICATION SPEC	SIZE A1
2 PLC ±0.25 [0.010]		WEIGHT	SCALE 4:1
3 PLC ±-		CUSTOMER DRAWING	SHEET 1 OF 1
4 PLC ±-		REVISIONS	REV G
ANGLES ±1°			
MATERIAL AKULON K225-KS	FINISH BLACK	DATE 00779	DRAWING NO. 521381