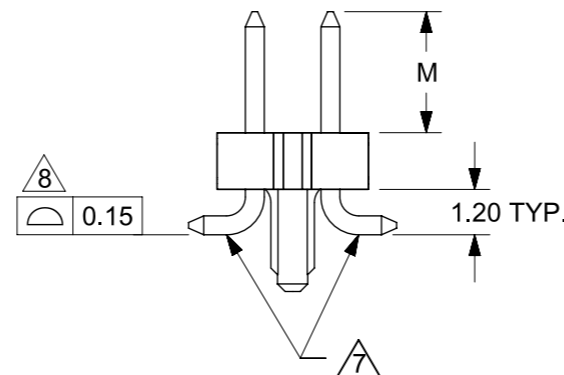
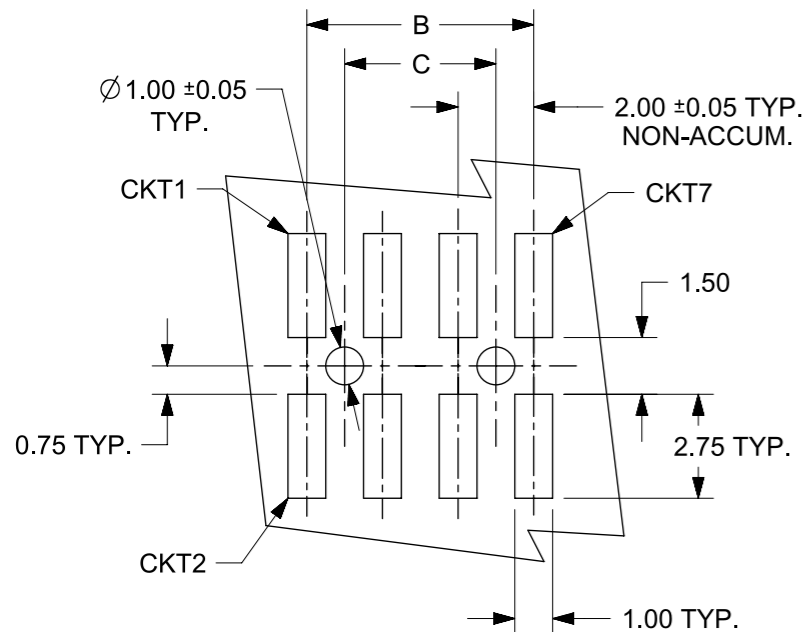
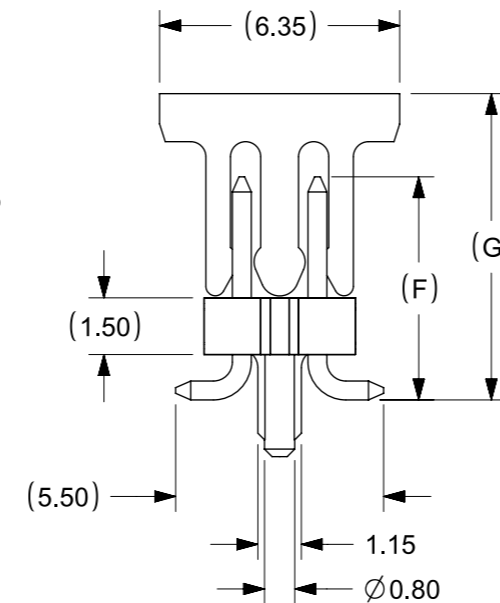
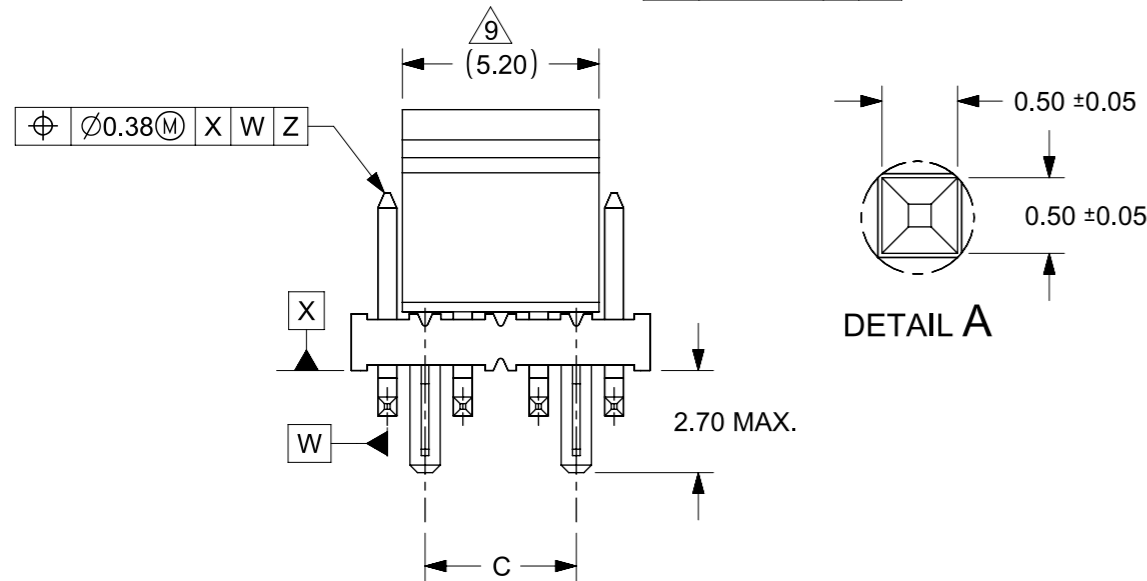


NOTES:

1. MATERIAL:
HOUSING: NYLON, GLASS-FILLED, UL94V-0,
COLOR: BLACK
PIN: 0.50mm SQ. COPPER ALLOY
2. PLATING FINISH:
 - 1) 15µin MIN. GOLD PLATE IN SELECTED AREA AND 80µin MIN. TIN ON SOLDER TAIL OVER 50µin MIN. NICKEL UNDERPLATE OVERALL.
 - 2) 30µin MIN. GOLD PLATE IN SELECTED AREA AND 80µin MIN. TIN ON SOLDER TAIL OVER 50µin MIN. NICKEL UNDERPLATE OVERALL.
 - 3) 100µin MIN. TIN OVERALL 50µin MIN. NICKEL UNDERPLATE OVERALL.
 - 4) 2-10µin MIN. GOLD OVER 50µin MIN. NICKEL UNDERPLATE OVERALL.
3. PACKAGING: SEE TABLE
4. RECOMMENDED PCB THICKNESS: 1.60±0.10mm
5. PRODUCT SPECIFICATION: PS-87761-100
6. WAFER TO BE FLAT WITHIN 0.003mm/mm
7. BEND DEPRESSION IS ACCEPTED SO LONG AS IT DOES NOT AFFECT THE OVERALL COPLANARITY OF TAIL
8. COPLANARITY IS TO BE MEASURED BY RESTING THE SOLDER TAIL ON A FLAT SURFACE
9. CAP LOCATION IS CENTERED ALONG THE MATING ENDS AS SHOWN. TOP SURFACE OF CAP TO BE FLAT FOR THE PURPOSE OF PICK & PLACE BY VACUUM SUCTION NOZZLE
10. CKT 4 & 6 IS CUT FROM CKT 8 & 12 RESPECTIVELY. ROUGH EDGES ARE EXPECTED ALONG THE CUTTING EDGES
11. THE ABOVE 8CKTS SHOWN IS FOR ILLUSTRATION ONLY.
12. TUBE LENGTH : 560mm REF.



THIS DRAWING CONTAINS INFORMATION THAT IS PROPRIETARY TO MOLEX ELECTRONIC TECHNOLOGIES, LLC AND SHOULD NOT BE USED WITHOUT WRITTEN PERMISSION											
DIMENSION UNITS		SCALE		CURRENT REV DESC:							
mm		NTS									
GENERAL TOLERANCES (UNLESS SPECIFIED)										CUSTOM HEADER	
										2.00MM PITCH DUAL ROW HDR, SINGLE WAFER, SMT	
										PRODUCT CUSTOMER DRAWING	
4 PLACES ±				±						DOCUMENT NUMBER	
3 PLACES ±				±						DOC TYPE DOC PART REVISION	
2 PLACES ±				0.2		±				SD-87759-277	
1 PLACE ±				±						PSD 001 B5	
0 PLACES ±				±							
ANGULAR TOL ± 3.0°											
DRAFT WHERE APPLICABLE MUST REMAIN WITHIN DIMENSIONS				THIRD ANGLE PROJECTION		DRAWING		SERIES		MATERIAL NUMBER	
						A3-SIZE		87759		CUSTOMER	
								SEE TABLE		GENERAL MARKET	
										SHEET NUMBER	
										1 OF 12	

10

9

8

7

6

5

4

3

2

1

F

F

E

E

D

D

C

C

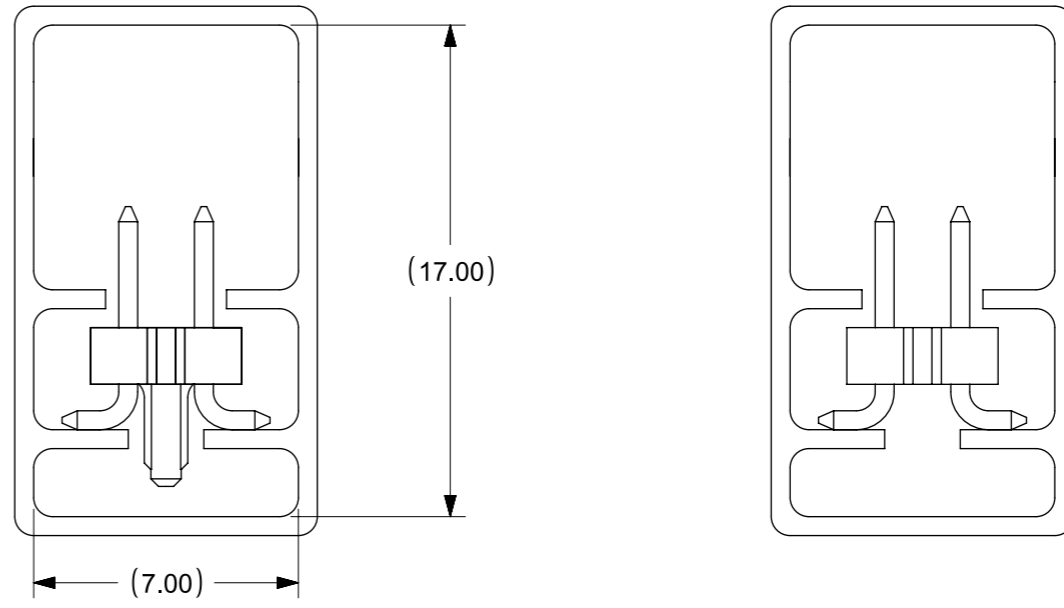
B

B

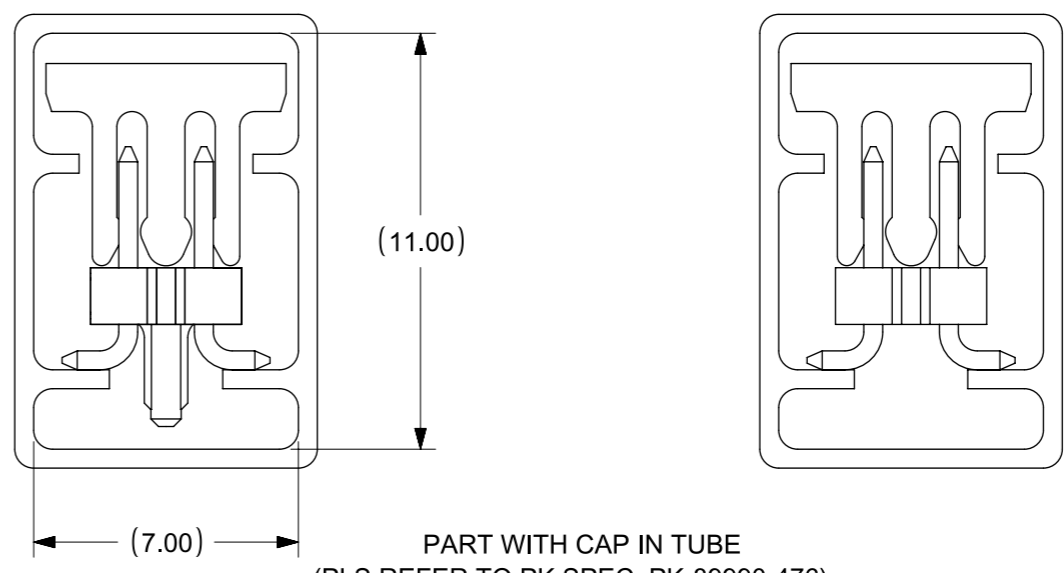
A

A

PARTS PACK IN TUBE ORIENTATION

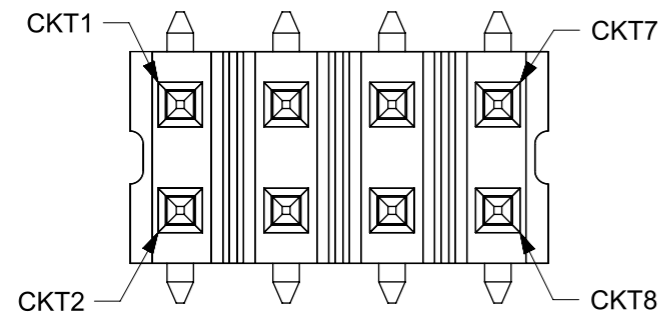


PART WITHOUT CAP IN TUBE
(PLS REFER TO PK SPEC: PK-89990-475)



PART WITH CAP IN TUBE
(PLS REFER TO PK SPEC: PK-89990-476)

CIRCUITS POSITION CONFIGURATION



THIS DRAWING CONTAINS INFORMATION THAT IS PROPRIETARY TO MOLEX ELECTRONIC TECHNOLOGIES, LLC AND SHOULD NOT BE USED WITHOUT WRITTEN PERMISSION

DIMENSION UNITS		SCALE		CURRENT REV DESC:				molex				
mm		NTS										
GENERAL TOLERANCES (UNLESS SPECIFIED)						EC NO: 691087		CUSTOM HEADER 2.00MM PITCH DUAL ROW HDR, SINGLE WAFER, SMT				
		MM	INCH	DRWN: DANUSA		2022/01/06						
4 PLACES		±	±	CHK'D: DANUSA		2022/01/06		PRODUCT CUSTOMER DRAWING				
3 PLACES		±	±	APPR: MRAMAKRISHNA		2022/01/06						
2 PLACES		±	0.2	INITIAL REVISION:				DOCUMENT NUMBER				
1 PLACE		±	±	DRWN: SKLIM01		2006/03/23		SD-87759-277		DOC TYPE	DOC PART	REVISION
0 PLACES		±	±	APPR: PATEY		2006/03/29				PSD	001	B5
ANGULAR TOL		± 3.0 °		DRAFT WHERE APPLICABLE MUST REMAIN WITHIN DIMENSIONS		THIRD ANGLE PROJECTION		DRAWING	SERIES	MATERIAL NUMBER	CUSTOMER	SHEET NUMBER
								A3-SIZE	87759	SEE TABLE	GENERAL MARKET	2 OF 12

DOCUMENT STATUS	P1	RELEASE DATE	2022/01/06	11:54:31
-----------------	----	--------------	------------	----------

9

8

7

6

5

4

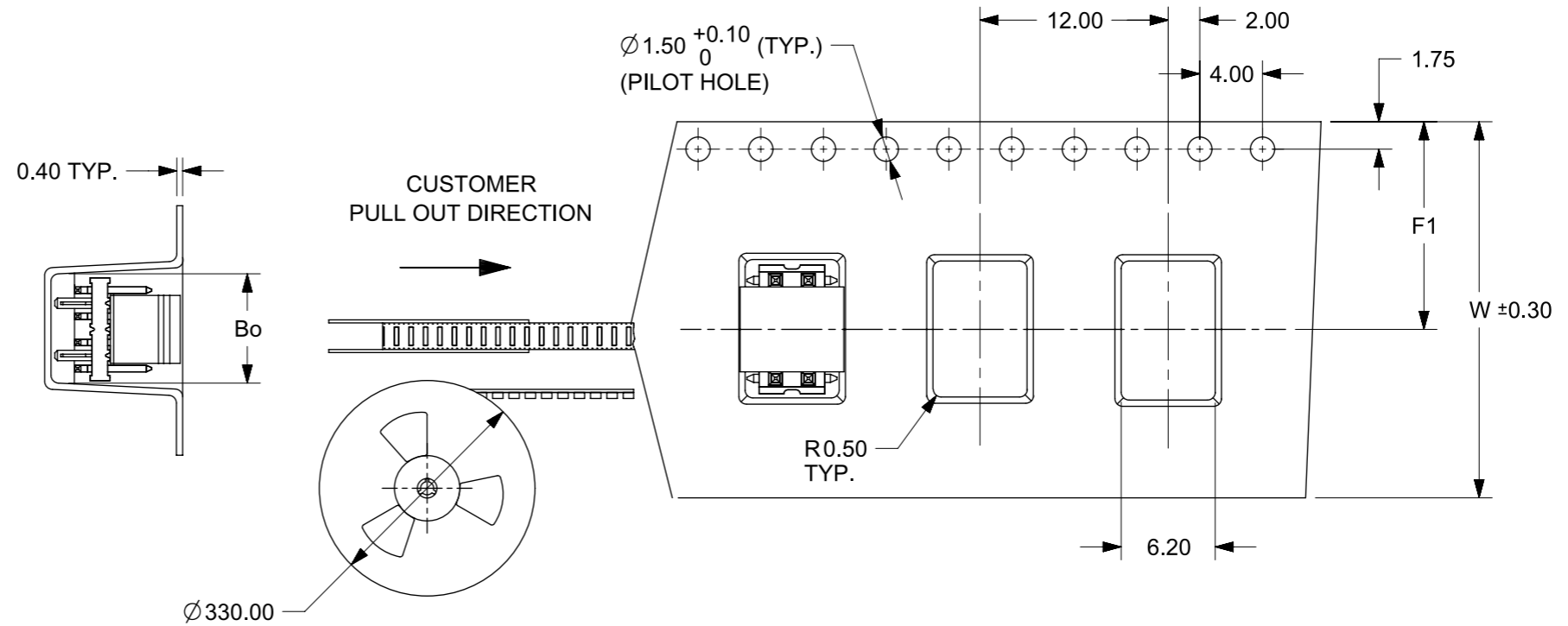
3

2

1

FORMAT: Mef899a-master-b-prod-A3
REVISION: E
DATE: 2020/01/14

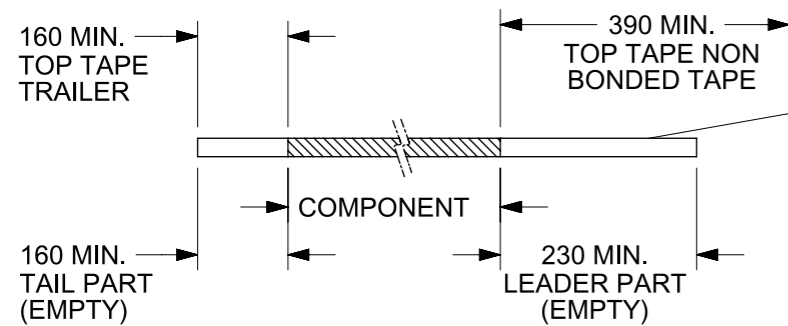
WITH CAP IN TAPE & REEL PACKAGING
 THE 8CKTS SHOWN AS ABOVE IS FOR
 ILLUSTRATION PURPOSE ONLY.
 (THIS TYPE E/TAPE USED FOR CKT 8 TO 14)
 (PLS REFER TO PK SPEC: PK-89990-484)



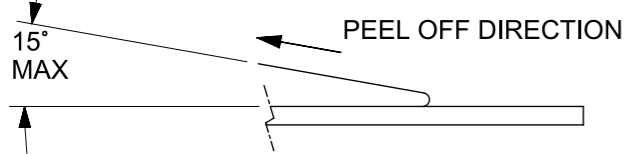
EMBOSSSED CARRIER TAPE TYPE "A"

NOTES:

1. LEADER AND TRAILER TAPE



**2. PEELING OFF FORCE OF THE TOP TAPE: 20 - 80gf.
 (PEELING DIRECTION AS SHOWN IN FOLLOWING FIGURE)**

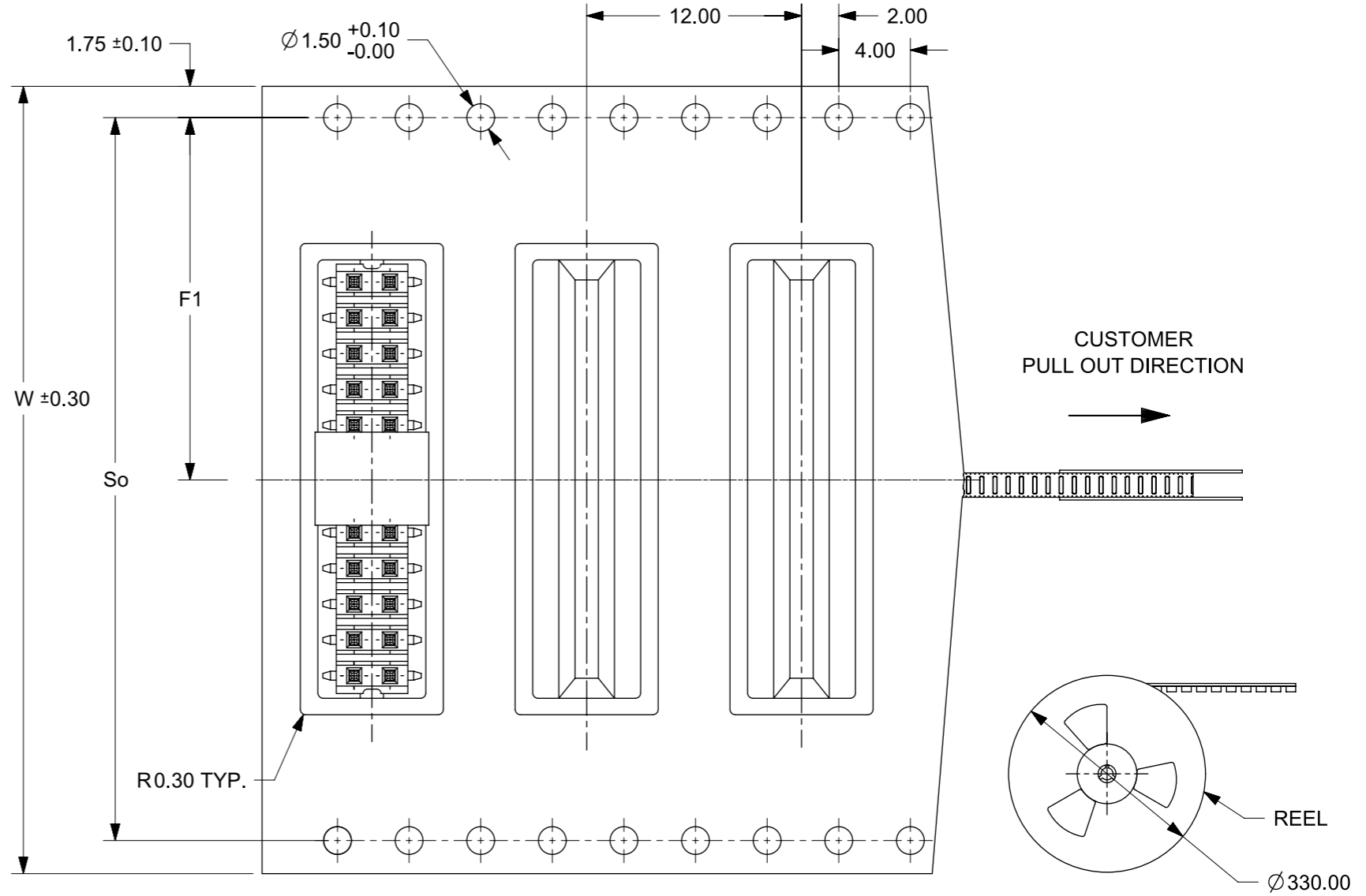
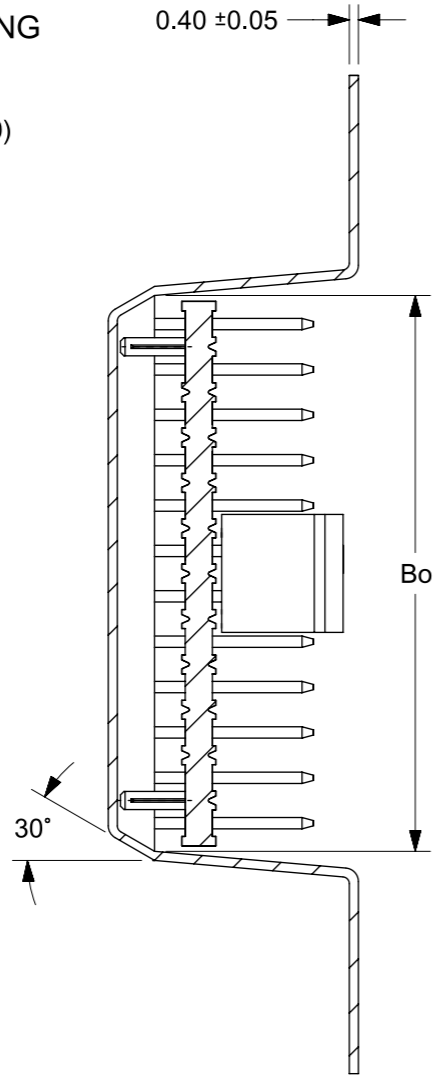


- 3. TAPE & REEL SPECIFICATION IS AS PER EIA-481.
- 4. TAPE & REEL QUANTITY = 500 PCS/REEL
- 5. THE TAPE IS TREATED FOR ANTI-STATIC



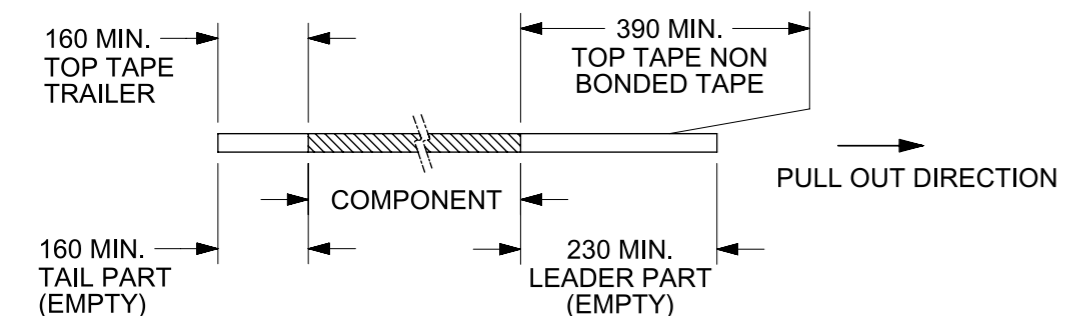
THIS DRAWING CONTAINS INFORMATION THAT IS PROPRIETARY TO MOLEX ELECTRONIC TECHNOLOGIES, LLC AND SHOULD NOT BE USED WITHOUT WRITTEN PERMISSION		CURRENT REV DESC:		molex	
DIMENSION UNITS	SCALE	EC NO: 691087			
mm	NTS	DRWN: DANUSA 2022/01/06		CUSTOMER	
GENERAL TOLERANCES (UNLESS SPECIFIED)		CHK'D: DANUSA 2022/01/06		2.00MM PITCH DUAL ROW HDR, SINGLE WAFER, SMT	
		MM	INCH	PRODUCT CUSTOMER DRAWING	
4 PLACES	±			DOCUMENT NUMBER	
3 PLACES	±			SD-87759-277	
2 PLACES	±	0.2		DOC TYPE	DOC PART
1 PLACE	±			PSD	001
0 PLACES	±			REVISION	
ANGULAR TOL ± 3.0°		INITIAL REVISION:		B5	
DRAFT WHERE APPLICABLE MUST REMAIN WITHIN DIMENSIONS		DRWN: SKLIM01 2006/03/23		MATERIAL NUMBER	
THIRD ANGLE PROJECTION		APPR: PATEY 2006/03/29		CUSTOMER	
DRAWING		SERIES		SHEET NUMBER	
A3-SIZE		87759		3 OF 12	

WITH CAP IN TAPE & REEL PACKAGING
 THE 24CKTS SHOWN ABOVE
 IS FOR ILLUSTRATION ONLY.
 (THIS TYPE E/TAPE USED FOR CKT 16 TO 50)
 (PLS REFER TO PK SPEC: PK-89990-484)

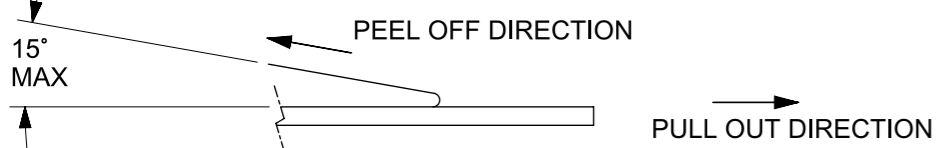


EMBOSSED CARRIER TAPE TYPE "B"

- NOTES:
 1. LEADER AND TRAILER TAPE



2. PEELING OFF FORCE OF THE TOP TAPE: 20 - 80gf.
 (PEELING DIRECTION AS SHOWN IN FOLLOWING FIGURE)



3. TAPE & REEL SPECIFICATION IS AS PER EIA-481.
 4. TAPE & REEL QUANTITY = 500 PCS/REEL
 5. THE TAPE IS TREATED FOR ANTI-STATIC

THIS DRAWING CONTAINS INFORMATION THAT IS PROPRIETARY TO MOLEX ELECTRONIC TECHNOLOGIES, LLC AND SHOULD NOT BE USED WITHOUT WRITTEN PERMISSION											
DIMENSION UNITS		SCALE		CURRENT REV DESC:							
mm		NTS									
GENERAL TOLERANCES (UNLESS SPECIFIED)				EC NO: 691087		DRWN: DANUSA		2022/01/06		CUSTOMER	
				CHK'D: DANUSA		APPR: MRAMAKRISHNA		2022/01/06		2.00MM PITCH DUAL ROW HDR, SINGLE WAFER, SMT	
				INITIAL REVISION:		DRWN: SKLIM01		2006/03/23		PRODUCT CUSTOMER DRAWING	
				APPR: PATEY		2006/03/29		DOCUMENT NUMBER		DOC TYPE DOC PART REVISION	
				ANGULAR TOL ± 3.0°				SD-87759-277		PSD 001 B5	
DRAFT WHERE APPLICABLE MUST REMAIN WITHIN DIMENSIONS				THIRD ANGLE PROJECTION		DRAWING		SERIES		MATERIAL NUMBER CUSTOMER SHEET NUMBER	
				A3-SIZE		87759		SEE TABLE		GENERAL MARKET 4 OF 12	

10	9	8	7	6	5	4	3	2	1										
PART NUMBER WITHOUT CAP IN TRAY	PART NUMBER WITHOUT CAP IN TUBE	PART NUMBER WITH CAP IN TUBE	PART NUMBER WITH CAP IN TAPE & REEL	CKT SIZE	PEG	PLATING TYPE	VOID POSITION	A	B	C	M	(F)	(G)	Bo	F1	So	W	EMBOSSSED TYPE	
F	87759-0461	----	----	4	N	1	----	3.90	2.00	---	3.20	5.90	8.10	---	---	---	---	---	
	87759-0462	----	----	4	N	2	----	3.90	2.00	---	3.20	5.90	8.10	---	---	---	---	---	
	87759-0463	----	87759-0493	4	N	3	----	3.90	2.00	---	3.20	5.90	8.10	---	---	---	---	---	
	87759-0661	----	----	6	N	1	----	7.90	6.00	---	3.20	5.90	8.10	---	---	---	---	---	
E	87759-0662	----	----	6	N	2	----	7.90	6.00	---	3.20	5.90	8.10	---	---	---	---	---	
	87759-0663	----	----	6	N	3	----	7.90	6.00	---	3.20	5.90	8.10	---	---	---	---	---	
	----	87759-0861	87759-0871	87759-0881	8	N	1	----	7.90	6.00	---	3.20	5.90	8.10	8.50	11.50	---	24.00	A
	----	87759-0862	87759-0872	87759-0882	8	N	2	----	7.90	6.00	---	3.20	5.90	8.10	8.50	11.50	---	24.00	A
	----	87759-0863	87759-0873	87759-0883	8	N	3	----	7.90	6.00	---	3.20	5.90	8.10	8.50	11.50	---	24.00	A
D	----	87759-6081	87759-7081	87759-8081	8	Y	1	----	7.90	6.00	4.00	3.20	5.90	8.10	8.50	11.50	---	24.00	A
	----	87759-6082	87759-7082	87759-8082	8	Y	2	----	7.90	6.00	4.00	3.20	5.90	8.10	8.50	11.50	---	24.00	A
	----	87759-6083	87759-7083	87759-8083	8	Y	3	----	7.90	6.00	4.00	3.20	5.90	8.10	8.50	11.50	---	24.00	A


10	9	8	7	6	5	4	3	2	1																																																																																																																																																																								
C																																																																																																																																																																																	
B																																																																																																																																																																																	
A																																																																																																																																																																																	
<p>THIS DRAWING CONTAINS INFORMATION THAT IS PROPRIETARY TO MOLEX ELECTRONIC TECHNOLOGIES, LLC AND SHOULD NOT BE USED WITHOUT WRITTEN PERMISSION</p> <table border="1" style="width: 100%; border-collapse: collapse;"> <tr> <td style="width: 15%;">DIMENSION UNITS</td> <td style="width: 15%;">SCALE</td> <td colspan="2" style="width: 40%;">CURRENT REV DESC:</td> <td colspan="10" style="text-align: center;">molex</td> </tr> <tr> <td>mm</td> <td>NTS</td> <td colspan="2"></td> <td colspan="10" style="text-align: center;">CUSTOM HEADER 2.00MM PITCH DUAL ROW HDR, SINGLE WAFER, SMT</td> </tr> <tr> <td colspan="2">GENERAL TOLERANCES (UNLESS SPECIFIED)</td> <td colspan="2"></td> <td colspan="10" style="text-align: center;">PRODUCT CUSTOMER DRAWING</td> </tr> <tr> <td></td> <td>MM</td> <td>INCH</td> <td></td> <td colspan="2">EC NO: 691087</td> <td colspan="2">DRWN: DANUSA</td> <td colspan="2">2022/01/06</td> <td colspan="10"></td> </tr> <tr> <td>4 PLACES</td> <td>±</td> <td>±</td> <td></td> <td colspan="2">CHK'D: DANUSA</td> <td colspan="2">2022/01/06</td> <td colspan="10"></td> </tr> <tr> <td>3 PLACES</td> <td>±</td> <td>±</td> <td></td> <td colspan="2">APPR: MRAMAKRISHNA</td> <td colspan="2">2022/01/06</td> <td colspan="10"></td> </tr> <tr> <td>2 PLACES</td> <td>±</td> <td>0.2</td> <td>±</td> <td colspan="2">INITIAL REVISION:</td> <td colspan="2">DRWN: SKLIM01</td> <td colspan="2">2006/03/23</td> <td colspan="2">DOCUMENT NUMBER</td> <td colspan="2">DOC TYPE</td> <td colspan="2">DOC PART</td> <td colspan="2">REVISION</td> </tr> <tr> <td>1 PLACE</td> <td>±</td> <td>±</td> <td></td> <td colspan="2">APPR: PATEY</td> <td colspan="2">2006/03/29</td> <td colspan="2">SD-87759-277</td> <td colspan="2">PSD</td> <td colspan="2">001</td> <td colspan="2">B5</td> </tr> <tr> <td>0 PLACES</td> <td>±</td> <td>±</td> <td></td> <td colspan="2">ANGULAR TOL ± 3.0°</td> <td colspan="2">DRAFT WHERE APPLICABLE MUST REMAIN WITHIN DIMENSIONS</td> <td colspan="2">THIRD ANGLE PROJECTION</td> <td colspan="2">DRAWING</td> <td colspan="2">SERIES</td> <td colspan="2">MATERIAL NUMBER</td> <td colspan="2">CUSTOMER</td> <td colspan="2">SHEET NUMBER</td> </tr> <tr> <td></td> <td></td> <td></td> <td></td> <td colspan="2"></td> <td colspan="2">A3-SIZE</td> <td colspan="2">87759</td> <td colspan="2">SEE TABLE</td> <td colspan="2">GENERAL MARKET</td> <td colspan="2">5 OF 12</td> </tr> </table>										DIMENSION UNITS	SCALE	CURRENT REV DESC:		molex										mm	NTS			CUSTOM HEADER 2.00MM PITCH DUAL ROW HDR, SINGLE WAFER, SMT										GENERAL TOLERANCES (UNLESS SPECIFIED)				PRODUCT CUSTOMER DRAWING											MM	INCH		EC NO: 691087		DRWN: DANUSA		2022/01/06												4 PLACES	±	±		CHK'D: DANUSA		2022/01/06												3 PLACES	±	±		APPR: MRAMAKRISHNA		2022/01/06												2 PLACES	±	0.2	±	INITIAL REVISION:		DRWN: SKLIM01		2006/03/23		DOCUMENT NUMBER		DOC TYPE		DOC PART		REVISION		1 PLACE	±	±		APPR: PATEY		2006/03/29		SD-87759-277		PSD		001		B5		0 PLACES	±	±		ANGULAR TOL ± 3.0°		DRAFT WHERE APPLICABLE MUST REMAIN WITHIN DIMENSIONS		THIRD ANGLE PROJECTION		DRAWING		SERIES		MATERIAL NUMBER		CUSTOMER		SHEET NUMBER								A3-SIZE		87759		SEE TABLE		GENERAL MARKET		5 OF 12	
DIMENSION UNITS	SCALE	CURRENT REV DESC:		molex																																																																																																																																																																													
mm	NTS			CUSTOM HEADER 2.00MM PITCH DUAL ROW HDR, SINGLE WAFER, SMT																																																																																																																																																																													
GENERAL TOLERANCES (UNLESS SPECIFIED)				PRODUCT CUSTOMER DRAWING																																																																																																																																																																													
	MM	INCH		EC NO: 691087		DRWN: DANUSA		2022/01/06																																																																																																																																																																									
4 PLACES	±	±		CHK'D: DANUSA		2022/01/06																																																																																																																																																																											
3 PLACES	±	±		APPR: MRAMAKRISHNA		2022/01/06																																																																																																																																																																											
2 PLACES	±	0.2	±	INITIAL REVISION:		DRWN: SKLIM01		2006/03/23		DOCUMENT NUMBER		DOC TYPE		DOC PART		REVISION																																																																																																																																																																	
1 PLACE	±	±		APPR: PATEY		2006/03/29		SD-87759-277		PSD		001		B5																																																																																																																																																																			
0 PLACES	±	±		ANGULAR TOL ± 3.0°		DRAFT WHERE APPLICABLE MUST REMAIN WITHIN DIMENSIONS		THIRD ANGLE PROJECTION		DRAWING		SERIES		MATERIAL NUMBER		CUSTOMER		SHEET NUMBER																																																																																																																																																															
						A3-SIZE		87759		SEE TABLE		GENERAL MARKET		5 OF 12																																																																																																																																																																			
<table border="1" style="width: 100%; border-collapse: collapse;"> <tr> <td>DOCUMENT STATUS</td> <td>P1</td> <td>RELEASE DATE</td> <td>2022/01/06</td> <td>11:54:31</td> </tr> </table>										DOCUMENT STATUS	P1	RELEASE DATE	2022/01/06	11:54:31																																																																																																																																																																			
DOCUMENT STATUS	P1	RELEASE DATE	2022/01/06	11:54:31																																																																																																																																																																													

10		9		8		7		6		5		4		3		2		1		
PART NUMBER WITHOUT CAP IN TUBE	PART NUMBER WITH CAP IN TUBE	PART NUMBER WITH CAP IN TAPE & REEL	PART NUMBER WITHOUT CAP IN TRAY	CKT SIZE	PEG	PLATING TYPE	VOID POSITION	A	B	C	M	(F)	(G)	Bo	F1	So	W	EMBOSSSED TYPE		
F	87759-1061	87759-1071	87759-1081	-----	10	N	1	-----	9.90	8.00	---	3.20	5.90	8.10	10.50	11.50	---	24.00	A	F
	87759-1062	87759-1072	87759-1082	-----	10	N	2	-----	9.90	8.00	---	3.20	5.90	8.10	10.50	11.50	---	24.00	A	F
	87759-1063	87759-1073	87759-1083	-----	10	N	3	-----	9.90	8.00	---	3.20	5.90	8.10	10.50	11.50	---	24.00	A	F
	87759-6101	87759-7101	87759-8101	-----	10	Y	1	-----	9.90	8.00	6.00	3.20	5.90	8.10	10.50	11.50	---	24.00	A	F
	87759-6102	87759-7102	87759-8102	-----	10	Y	2	-----	9.90	8.00	6.00	3.20	5.90	8.10	10.50	11.50	---	24.00	A	F
	87759-6103	87759-7103	87759-8103	-----	10	Y	3	-----	9.90	8.00	6.00	3.20	5.90	8.10	10.50	11.50	---	24.00	A	F
E	87759-1070	87759-7030	87759-7010	-----	10	Y	1	----	9.90	8.00	6.00	3.60	6.50	8.70	10.50	11.50	---	24.00	A	E
																				E
	87759-1261	87759-1271	87759-1281	-----	12	N	1	-----	11.90	10.00	---	3.20	5.90	8.10	12.50	11.50	---	24.00	A	E
	87759-1262	87759-1272	87759-1282	-----	12	N	2	-----	11.90	10.00	---	3.20	5.90	8.10	12.50	11.50	---	24.00	A	E
	87759-1263	87759-1273	87759-1283	-----	12	N	3	-----	11.90	10.00	---	3.20	5.90	8.10	12.50	11.50	---	24.00	A	E
	87759-6121	87759-7121	87759-8121	-----	12	Y	1	-----	11.90	10.00	---	3.20	5.90	8.10	12.50	11.50	---	24.00	A	E
	87759-6122	87759-7122	87759-8122	-----	12	Y	2	-----	11.90	10.00	---	3.20	5.90	8.10	12.50	11.50	---	24.00	A	E
D	87759-6123	87759-7123	87759-8123	-----	12	Y	3	-----	11.90	10.00	---	3.20	5.90	8.10	12.50	11.50	---	24.00	A	D
	----	-----	----	87759-0005	12	N	4	----	11.90	10.00	---	4.57	7.57	---	---	---	---	---	---	D
																				D
	87759-1461	87759-1471	87759-1481	-----	14	N	1	-----	13.90	12.00	---	3.20	5.90	8.10	14.50	11.50	---	24.00	A	D
	87759-1462	87759-1472	87759-1482	-----	14	N	2	-----	13.90	12.00	---	3.20	5.90	8.10	14.50	11.50	---	24.00	A	D
	87759-1463	87759-1473	87759-1483	-----	14	N	3	-----	13.90	12.00	---	3.20	5.90	8.10	14.50	11.50	---	24.00	A	D
C	87759-6141	87759-7141	87759-8141	-----	14	Y	1	-----	13.90	12.00	---	3.20	5.90	8.10	14.50	11.50	---	24.00	A	C
	87759-6142	87759-7142	87759-8142	-----	14	Y	2	-----	13.90	12.00	---	3.20	5.90	8.10	14.50	11.50	---	24.00	A	C
	87759-6143	87759-7143	87759-8143	-----	14	Y	3	-----	13.90	12.00	---	3.20	5.90	8.10	14.50	11.50	---	24.00	A	C
	----	-----	87759-0003	-----	14	Y	1	-----	13.90	12.00	---	4.00	6.70	8.05	14.20	11.50	---	24.00	A	C
	87759-1470	87759-7032	87759-7012	-----	14	Y	1	----	13.90	12.00	6.00	3.60	6.50	8.70	14.50	11.50	---	24.00	A	C

B																			
A																			

THIS DRAWING CONTAINS INFORMATION THAT IS PROPRIETARY TO MOLEX ELECTRONIC TECHNOLOGIES, LLC AND SHOULD NOT BE USED WITHOUT WRITTEN PERMISSION																					
DIMENSION UNITS		SCALE		CURRENT REV DESC:																	
mm		NTS		<div style="text-align: center;"> <p>CUSTOM HEADER 2.00MM PITCH DUAL ROW HDR, SINGLE WAFER, SMT</p> <p>PRODUCT CUSTOMER DRAWING</p> </div>																	
GENERAL TOLERANCES (UNLESS SPECIFIED)																					
		MM																		INCH	
4 PLACES		±																		±	
3 PLACES		±																		±	
2 PLACES		± 0.2		±																	
1 PLACE		±		±																	
0 PLACES		±		±																	
ANGULAR TOL ± 3.0°				EC NO: 691087 DRWN: DANUSA 2022/01/06 CHK'D: DANUSA 2022/01/06 APPR: MRAMAKRISHNA 2022/01/06 INITIAL REVISION: DRWN: SKLIM01 2006/03/23 APPR: PATEY 2006/03/29																	
DRAFT WHERE APPLICABLE MUST REMAIN WITHIN DIMENSIONS				THIRD ANGLE PROJECTION		DRAWING		SERIES		MATERIAL NUMBER		CUSTOMER		DOCUMENT NUMBER		DOC TYPE		DOC PART		REVISION	
						A3-SIZE		87759		SEE TABLE		GENERAL MARKET		SD-87759-277		PSD		001		B5	
DOCUMENT STATUS				P1		RELEASE DATE		2022/01/06		11:54:31											

10	9	8	7	6	5	4	3	2	1									
PART NUMBER WITHOUT CAP IN TUBE	PART NUMBER WITH CAP IN TUBE	PART NUMBER WITH CAP IN TAPE & REEL	CKT SIZE	PEG	PLATING TYPE	VOID POSITION	A	B	C	M	(F)	(G)	Bo	F1	So	W	EMBOSSSED TYPE	
F	87759-1661	87759-1671	87759-1681	16	N	1	----	15.90	14.00	---	3.20	5.90	8.10	16.50	14.20	28.40	32.00	B
	87759-1662	87759-1672	87759-1682	16	N	2	----	15.90	14.00	---	3.20	5.90	8.10	16.50	14.20	28.40	32.00	B
	87759-1663	87759-1673	87759-1683	16	N	3	----	15.90	14.00	---	3.20	5.90	8.10	16.50	14.20	28.40	32.00	B
	87759-6161	87759-7161	87759-8161	16	Y	1	----	15.90	14.00	---	3.20	5.90	8.10	16.50	14.20	28.40	32.00	B
	87759-6162	87759-7162	87759-8162	16	Y	2	----	15.90	14.00	---	3.20	5.90	8.10	16.50	14.20	28.40	32.00	B
	87759-6163	87759-7163	87759-8163	16	Y	3	----	15.90	14.00	---	3.20	5.90	8.10	16.50	14.20	28.40	32.00	B
E	87759-1611	87759-1612	87759-1613	16	N	4	----	15.90	14.00	---	5.50	8.20	9.60	16.50	14.20	28.40	32.00	B
	87759-1670	87759-7033	87759-7013	16	Y	1	----	15.90	14.00	12.20	3.60	6.50	8.70	16.50	16.50	28.40	28.40	B
	87759-6737	877596707	87759-1667	16	Y	1	----	15.90	14.00	12.00	6.80	9.50	10.83	16.40	14.20	28.40	32.00	B
	87759-1861	87759-1871	87759-1881	18	N	1	----	17.90	16.00	---	3.20	5.90	8.10	18.50	14.20	28.40	32.00	B
	87759-1862	87759-1872	87759-1882	18	N	2	----	17.90	16.00	---	3.20	5.90	8.10	18.50	14.20	28.40	32.00	B
	87759-1863	87759-1873	87759-1883	18	N	3	----	17.90	16.00	---	3.20	5.90	8.10	18.50	14.20	28.40	32.00	B
D	87759-6181	87759-7181	87759-8181	18	Y	1	----	17.90	16.00	---	3.20	5.90	8.10	18.50	14.20	28.40	32.00	B
	87759-6182	87759-7182	87759-8182	18	Y	2	----	17.90	16.00	---	3.20	5.90	8.10	18.50	14.20	28.40	32.00	B
	87759-6183	87759-7183	87759-8183	18	Y	3	----	17.90	16.00	---	3.20	5.90	8.10	18.50	14.20	28.40	32.00	B
	----	87759-0002	87759-0001	18	Y	1	----	17.90	16.00	14.00	10.30	13.00	14.31	18.40	20.20	40.40	44.00	B
		87759-1820	18	N	4	---	17.90	16.00	---	8.40	11.10	12.47	18.40	20.20	40.40	44.00	B	
C	87759-2061	87759-2071	87759-2081	20	N	1	----	19.90	18.00	---	3.20	5.90	8.10	20.50	20.20	40.40	44.00	B
	87759-2062	87759-2072	87759-2082	20	N	2	----	19.90	18.00	---	3.20	5.90	8.10	20.50	20.20	40.40	44.00	B
	87759-2063	87759-2073	87759-2083	20	N	3	----	19.90	18.00	---	3.20	5.90	8.10	20.50	20.20	40.40	44.00	B
	87759-6201	87759-7201	87759-8201	20	Y	1	----	19.90	18.00	---	3.20	5.90	8.10	20.50	20.20	40.40	44.00	B
	87759-6202	87759-7202	87759-8202	20	Y	2	----	19.90	18.00	---	3.20	5.90	8.10	20.50	20.20	40.40	44.00	B

<p>THIS DRAWING CONTAINS INFORMATION THAT IS PROPRIETARY TO MOLEX ELECTRONIC TECHNOLOGIES, LLC AND SHOULD NOT BE USED WITHOUT WRITTEN PERMISSION</p>										DIMENSION UNITS mm		SCALE NTS		CURRENT REV DESC:																	
										GENERAL TOLERANCES (UNLESS SPECIFIED)												EC NO: 691087		DRWN: DANUSA 2022/01/06							
										4 PLACES ±		±		CHK'D: DANUSA 2022/01/06		PRODUCT CUSTOMER DRAWING															
										3 PLACES ±		±		APPR: MRAMAKRISHNA 2022/01/06																	
										2 PLACES ±		0.2 ±		INITIAL REVISION: DRWN: SKLIM01 2006/03/23 APPR: PATEY 2006/03/29				DOCUMENT NUMBER SD-87759-277		DOC TYPE PSD	DOC PART 001	REVISION B5									
										1 PLACE ±		±						DRAFT WHERE APPLICABLE MUST REMAIN WITHIN DIMENSIONS		THIRD ANGLE PROJECTION 		DRAWING A3-SIZE	SERIES 87759	MATERIAL NUMBER SEE TABLE		CUSTOMER GENERAL MARKET		SHEET NUMBER 7 OF 12			
										0 PLACES ±		±		ANGULAR TOL ± 3.0°		DOCUMENT NUMBER SD-87759-277		DOC TYPE PSD	DOC PART 001	REVISION B5											
										DOCUMENT STATUS P1 RELEASE DATE 2022/01/06 11:54:31										DIMENSION UNITS mm		SCALE NTS		CURRENT REV DESC:							
										GENERAL TOLERANCES (UNLESS SPECIFIED)				EC NO: 691087		DRWN: DANUSA 2022/01/06															
										4 PLACES ±		±		CHK'D: DANUSA 2022/01/06		PRODUCT CUSTOMER DRAWING															
3 PLACES ±		±		APPR: MRAMAKRISHNA 2022/01/06																											
2 PLACES ±		0.2 ±		INITIAL REVISION: DRWN: SKLIM01 2006/03/23 APPR: PATEY 2006/03/29				DOCUMENT NUMBER SD-87759-277		DOC TYPE PSD	DOC PART 001	REVISION B5																			
1 PLACE ±		±						DRAFT WHERE APPLICABLE MUST REMAIN WITHIN DIMENSIONS		THIRD ANGLE PROJECTION 		DRAWING A3-SIZE	SERIES 87759	MATERIAL NUMBER SEE TABLE		CUSTOMER GENERAL MARKET		SHEET NUMBER 7 OF 12													
0 PLACES ±		±		ANGULAR TOL ± 3.0°		DOCUMENT NUMBER SD-87759-277		DOC TYPE PSD	DOC PART 001	REVISION B5																					



10	9	8	7	6	5	4	3	2	1									
PART NUMBER WITHOUT CAP IN TUBE	PART NUMBER WITH CAP IN TUBE	PART NUMBER WITH CAP IN TAPE & REEL	CKT SIZE	PEG	PLATING TYPE	VOID POSITION	A	B	C	M	(F)	(G)	Bo	F1	So	W	EMBOSSSED TYPE	
F	87759-6203	87759-7203	87759-8203	20	Y	3	-----	19.90	18.00	---	3.20	5.90	8.10	20.50	20.20	40.40	44.00	B
	-----	87759-8053	87759-8054	20	N	2	-----	19.90	18.00	----	3.80	6.50	8.70	20.20	14.20	28.40	32.00	B
	-----	87759-0019	87759-0020	20	Y	1	-----	19.90	18.00	16.00	3.20	5.90	8.05	20.50	20.20	40.40	44.00	B
	87759-5801	87759-5802	87759-2058	20	Y	1	-----	19.90	18.00	16.00	4.30	7.00	8.31	20.50	14.20	28.40	32.00	B
	87759-2261	87759-2271	87759-2281	22	N	1	-----	21.90	20.00	---	3.20	5.90	8.10	22.50	20.20	40.40	44.00	B
E	87759-2262	87759-2272	87759-2282	22	N	2	-----	21.90	20.00	---	3.20	5.90	8.10	22.50	20.20	40.40	44.00	B
	87759-2263	87759-2273	87759-2283	22	N	3	-----	21.90	20.00	---	3.20	5.90	8.10	22.50	20.20	40.40	44.00	B
	87759-6221	87759-7221	87759-8221	22	Y	1	-----	21.90	20.00	---	3.20	5.90	8.10	22.50	20.20	40.40	44.00	B
	87759-6222	87759-7222	87759-8222	22	Y	2	-----	21.90	20.00	---	3.20	5.90	8.10	22.50	20.20	40.40	44.00	B
	87759-6223	87759-7223	87759-8223	22	Y	3	-----	21.90	20.00	---	3.20	5.90	8.10	22.50	20.20	40.40	44.00	B
	87759-2461	87759-2471	87759-2481	24	N	1	-----	23.90	22.00	---	3.20	5.90	8.10	24.50	20.20	40.40	44.00	B
D	87759-2462	87759-2472	87759-2482	24	N	2	-----	23.90	22.00	---	3.20	5.90	8.10	24.50	20.20	40.40	44.00	B
	87759-2463	87759-2473	87759-2483	24	N	3	-----	23.90	22.00	---	3.20	5.90	8.10	24.50	20.20	40.40	44.00	B
	87759-6241	87759-7241	87759-8241	24	Y	1	-----	23.90	22.00	---	3.20	5.90	8.10	24.50	20.20	40.40	44.00	B
	87759-6242	87759-7242	87759-8242	24	Y	2	-----	23.90	22.00	---	3.20	5.90	8.10	24.50	20.20	40.40	44.00	B
	87759-6243	87759-7243	87759-8243	24	Y	3	-----	23.90	22.00	---	3.20	5.90	8.10	24.50	20.20	40.40	44.00	B
	87759-2661	87759-2671	87759-2681	26	N	1	-----	25.90	24.00	---	3.20	5.90	8.10	26.50	20.20	40.40	44.00	B
C	87759-2662	87759-2672	87759-2682	26	N	2	-----	25.90	24.00	---	3.20	5.90	8.10	26.50	20.20	40.40	44.00	B
	87759-2663	87759-2673	87759-2683	26	N	3	-----	25.90	24.00	---	3.20	5.90	8.10	26.50	20.20	40.40	44.00	B
	87759-6261	87759-7261	87759-8261	26	Y	1	-----	25.90	24.00	---	3.20	5.90	8.10	26.50	20.20	40.40	44.00	B
	87759-6262	87759-7262	87759-8262	26	Y	2	-----	25.90	24.00	---	3.20	5.90	8.10	26.50	20.20	40.40	44.00	B
	87759-6263	87759-7263	87759-8263	26	Y	3	-----	25.90	24.00	---	3.20	5.90	8.10	26.50	20.20	40.40	44.00	B

B										B																																																													
A										A																																																													
<table border="1"> <tr> <td>DOCUMENT STATUS</td> <td>P1</td> <td>RELEASE DATE</td> <td>2022/01/06</td> <td>11:54:31</td> </tr> </table>										DOCUMENT STATUS	P1	RELEASE DATE	2022/01/06	11:54:31	<table border="1"> <tr> <td colspan="2">THIS DRAWING CONTAINS INFORMATION THAT IS PROPRIETARY TO MOLEX ELECTRONIC TECHNOLOGIES, LLC AND SHOULD NOT BE USED WITHOUT WRITTEN PERMISSION</td> </tr> <tr> <td>DIMENSION UNITS</td> <td>SCALE</td> </tr> <tr> <td>mm</td> <td>NTS</td> </tr> <tr> <td colspan="2">CURRENT REV DESC:</td> </tr> <tr> <td colspan="2">GENERAL TOLERANCES (UNLESS SPECIFIED)</td> </tr> <tr> <td></td> <td>MM INCH</td> </tr> <tr> <td>4 PLACES</td> <td>± ±</td> </tr> <tr> <td>3 PLACES</td> <td>± ±</td> </tr> <tr> <td>2 PLACES</td> <td>± 0.2 ±</td> </tr> <tr> <td>1 PLACE</td> <td>± ±</td> </tr> <tr> <td>0 PLACES</td> <td>± ±</td> </tr> <tr> <td>ANGULAR TOL</td> <td>± 3.0°</td> </tr> <tr> <td colspan="2">DRAFT WHERE APPLICABLE MUST REMAIN WITHIN DIMENSIONS</td> </tr> <tr> <td colspan="2">THIRD ANGLE PROJECTION</td> </tr> <tr> <td colspan="2">DRAWING</td> </tr> <tr> <td colspan="2">SERIES</td> </tr> <tr> <td colspan="2">MATERIAL NUMBER</td> </tr> <tr> <td colspan="2">CUSTOMER</td> </tr> <tr> <td colspan="2">SHEET NUMBER</td> </tr> </table>										THIS DRAWING CONTAINS INFORMATION THAT IS PROPRIETARY TO MOLEX ELECTRONIC TECHNOLOGIES, LLC AND SHOULD NOT BE USED WITHOUT WRITTEN PERMISSION		DIMENSION UNITS	SCALE	mm	NTS	CURRENT REV DESC:		GENERAL TOLERANCES (UNLESS SPECIFIED)			MM INCH	4 PLACES	± ±	3 PLACES	± ±	2 PLACES	± 0.2 ±	1 PLACE	± ±	0 PLACES	± ±	ANGULAR TOL	± 3.0°	DRAFT WHERE APPLICABLE MUST REMAIN WITHIN DIMENSIONS		THIRD ANGLE PROJECTION		DRAWING		SERIES		MATERIAL NUMBER		CUSTOMER		SHEET NUMBER										
DOCUMENT STATUS	P1	RELEASE DATE	2022/01/06	11:54:31																																																																			
THIS DRAWING CONTAINS INFORMATION THAT IS PROPRIETARY TO MOLEX ELECTRONIC TECHNOLOGIES, LLC AND SHOULD NOT BE USED WITHOUT WRITTEN PERMISSION																																																																							
DIMENSION UNITS	SCALE																																																																						
mm	NTS																																																																						
CURRENT REV DESC:																																																																							
GENERAL TOLERANCES (UNLESS SPECIFIED)																																																																							
	MM INCH																																																																						
4 PLACES	± ±																																																																						
3 PLACES	± ±																																																																						
2 PLACES	± 0.2 ±																																																																						
1 PLACE	± ±																																																																						
0 PLACES	± ±																																																																						
ANGULAR TOL	± 3.0°																																																																						
DRAFT WHERE APPLICABLE MUST REMAIN WITHIN DIMENSIONS																																																																							
THIRD ANGLE PROJECTION																																																																							
DRAWING																																																																							
SERIES																																																																							
MATERIAL NUMBER																																																																							
CUSTOMER																																																																							
SHEET NUMBER																																																																							
<table border="1"> <tr> <td colspan="2">EC NO: 691087</td> <td colspan="2">2022/01/06</td> </tr> <tr> <td colspan="2">DRWN: DANUSA</td> <td colspan="2">2022/01/06</td> </tr> <tr> <td colspan="2">CHK'D: DANUSA</td> <td colspan="2">2022/01/06</td> </tr> <tr> <td colspan="2">APPR: MRAMAKRISHNA</td> <td colspan="2">2022/01/06</td> </tr> <tr> <td colspan="2">INITIAL REVISION:</td> <td colspan="2">2006/03/23</td> </tr> <tr> <td colspan="2">DRWN: SKLIM01</td> <td colspan="2">2006/03/29</td> </tr> <tr> <td colspan="2">APPR: PATEY</td> <td colspan="2"></td> </tr> </table>										EC NO: 691087		2022/01/06		DRWN: DANUSA		2022/01/06		CHK'D: DANUSA		2022/01/06		APPR: MRAMAKRISHNA		2022/01/06		INITIAL REVISION:		2006/03/23		DRWN: SKLIM01		2006/03/29		APPR: PATEY				<table border="1"> <tr> <td colspan="4" style="text-align: center;">molex</td> </tr> <tr> <td colspan="4" style="text-align: center;">CUSTOM HEADER</td> </tr> <tr> <td colspan="4" style="text-align: center;">2.00MM PITCH DUAL ROW HDR, SINGLE WAFER, SMT</td> </tr> <tr> <td colspan="4" style="text-align: center;">PRODUCT CUSTOMER DRAWING</td> </tr> <tr> <td>DOCUMENT NUMBER</td> <td>DOC TYPE</td> <td>DOC PART</td> <td>REVISION</td> </tr> <tr> <td style="text-align: center;">SD-87759-277</td> <td style="text-align: center;">PSD</td> <td style="text-align: center;">001</td> <td style="text-align: center;">B5</td> </tr> </table>										molex				CUSTOM HEADER				2.00MM PITCH DUAL ROW HDR, SINGLE WAFER, SMT				PRODUCT CUSTOMER DRAWING				DOCUMENT NUMBER	DOC TYPE	DOC PART	REVISION	SD-87759-277	PSD	001	B5
EC NO: 691087		2022/01/06																																																																					
DRWN: DANUSA		2022/01/06																																																																					
CHK'D: DANUSA		2022/01/06																																																																					
APPR: MRAMAKRISHNA		2022/01/06																																																																					
INITIAL REVISION:		2006/03/23																																																																					
DRWN: SKLIM01		2006/03/29																																																																					
APPR: PATEY																																																																							
molex																																																																							
CUSTOM HEADER																																																																							
2.00MM PITCH DUAL ROW HDR, SINGLE WAFER, SMT																																																																							
PRODUCT CUSTOMER DRAWING																																																																							
DOCUMENT NUMBER	DOC TYPE	DOC PART	REVISION																																																																				
SD-87759-277	PSD	001	B5																																																																				

10	9	8	7	6	5	4	3	2	1									
PART NUMBER WITHOUT CAP IN TUBE	PART NUMBER WITH CAP IN TUBE	PART NUMBER WITH CAP IN TAPE & REEL	CKT SIZE	PEG	PLATING TYPE	VOID POSITION	A	B	C	M	(F)	(G)	Bo	F1	So	W	EMBOSSED TYPE	
F	87759-2861	87759-2871	87759-2881	28	N	1	-----	27.90	26.00	---	3.20	5.90	8.10	28.50	20.20	40.40	44.00	B
	87759-2862	87759-2872	87759-2882	28	N	2	-----	27.90	26.00	---	3.20	5.90	8.10	28.50	20.20	40.40	44.00	B
	87759-2863	87759-2873	87759-2883	28	N	3	-----	27.90	26.00	---	3.20	5.90	8.10	28.50	20.20	40.40	44.00	B
	87759-6281	87759-7281	87759-8281	28	Y	1	-----	27.90	26.00	---	3.20	5.90	8.10	28.50	20.20	40.40	44.00	B
	87759-6282	87759-7282	87759-8282	28	Y	2	-----	27.90	26.00	---	3.20	5.90	8.10	28.50	20.20	40.40	44.00	B
	87759-6283	87759-7283	87759-8283	28	Y	3	-----	27.90	26.00	---	3.20	5.90	8.10	28.50	20.20	40.40	44.00	B
E																		
	87759-3061	87759-3071	87759-3081	30	N	1	-----	29.90	28.00	---	3.20	5.90	8.10	30.50	20.20	40.40	44.00	B
	87759-3062	87759-3072	87759-3082	30	N	2	-----	29.90	28.00	---	3.20	5.90	8.10	30.50	20.20	40.40	44.00	B
	87759-3063	87759-3073	87759-3083	30	N	3	-----	29.90	28.00	---	3.20	5.90	8.10	30.50	20.20	40.40	44.00	B
	87759-6301	87759-7301	87759-8301	30	Y	1	-----	29.90	28.00	---	3.20	5.90	8.10	30.50	20.20	40.40	44.00	B
	87759-6302	87759-7302	87759-8302	30	Y	2	-----	29.90	28.00	---	3.20	5.90	8.10	30.50	20.20	40.40	44.00	B
	87759-6303	87759-7303	87759-8303	30	Y	3	-----	29.90	28.00	---	3.20	5.90	8.10	30.50	20.20	40.40	44.00	B
D																		
	87759-3261	87759-3271	87759-3281	32	N	1	-----	31.90	30.00	---	3.20	5.90	8.10	32.50	26.20	52.40	56.00	B
	87759-3262	87759-3272	87759-3282	32	N	2	-----	31.90	30.00	---	3.20	5.90	8.10	32.50	26.20	52.40	56.00	B
	87759-3263	87759-3273	87759-3283	32	N	3	-----	31.90	30.00	---	3.20	5.90	8.10	32.50	26.20	52.40	56.00	B
	87759-6321	87759-7321	87759-8321	32	Y	1	-----	31.90	30.00	---	3.20	5.90	8.10	32.50	26.20	52.40	56.00	B
	87759-6322	87759-7322	87759-8322	32	Y	2	-----	31.90	30.00	---	3.20	5.90	8.10	32.50	26.20	52.40	56.00	B
C	87759-6323	87759-7323	87759-8323	32	Y	3	-----	31.90	30.00	---	3.20	5.90	8.10	32.50	26.20	52.40	56.00	B
	87759-0009	-----	-----	32	Y	1	-----	31.90	30.00	28.00	8.00	10.70	---	----	----	----	---	---
	87759-0010	-----	-----	32	N	1	-----	31.90	30.00	28.00	8.00	10.70	---	----	----	----	---	---

<p>THIS DRAWING CONTAINS INFORMATION THAT IS PROPRIETARY TO MOLEX ELECTRONIC TECHNOLOGIES, LLC AND SHOULD NOT BE USED WITHOUT WRITTEN PERMISSION</p>										DIMENSION UNITS mm		SCALE NTS		CURRENT REV DESC:											
										GENERAL TOLERANCES (UNLESS SPECIFIED)												EC NO: 691087		DRWN: DANUSA 2022/01/06	
										4 PLACES ±		±		CHK'D: DANUSA 2022/01/06		APPR: MRAMAKRISHNA 2022/01/06		PRODUCT CUSTOMER DRAWING							
										3 PLACES ±		±		INITIAL REVISION:				DOCUMENT NUMBER		DOC TYPE		DOC PART		REVISION	
										2 PLACES ±		0.2 ±		DRWN: SKLIM01 2006/03/23				SD-87759-277		PSD		001		B5	
										1 PLACE ±		±		APPR: PATEY 2006/03/29				MATERIAL NUMBER		CUSTOMER		SHEET NUMBER			
										0 PLACES ±		±		ANGULAR TOL ± 3.0°				SEE TABLE		GENERAL MARKET		9 OF 12			
										DRAFT WHERE APPLICABLE MUST REMAIN WITHIN DIMENSIONS				THIRD ANGLE PROJECTION		DRAWING		SERIES		A3-SIZE		87759			
										DOCUMENT STATUS		P1		RELEASE DATE		2022/01/06		11:54:31							


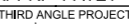
10	9	8	7	6	5	4	3	2	1									
PART NUMBER WITHOUT CAP IN TUBE	PART NUMBER WITH CAP IN TUBE	PART NUMBER WITH CAP IN TAPE & REEL	CKT SIZE	PEG	PLATING TYPE	VOID POSITION	A	B	C	M	(F)	(G)	Bo	F1	So	W	EMBOSSED TYPE	
F	87759-3461	87759-3471	87759-3481	34	N	1	----	33.90	32.00	---	3.20	5.90	8.10	34.50	26.20	52.40	56.00	B
	87759-3462	87759-3472	87759-3482	34	N	2	----	33.90	32.00	---	3.20	5.90	8.10	34.50	26.20	52.40	56.00	B
	87759-3463	87759-3473	87759-3483	34	N	3	----	33.90	32.00	---	3.20	5.90	8.10	34.50	26.20	52.40	56.00	B
	87759-6341	87759-7341	87759-8341	34	Y	1	----	33.90	32.00	---	3.20	5.90	8.10	34.50	26.20	52.40	56.00	B
	87759-6342	87759-7342	87759-8342	34	Y	2	----	33.90	32.00	---	3.20	5.90	8.10	34.50	26.20	52.40	56.00	B
	87759-6343	87759-7343	87759-8343	34	Y	3	----	33.90	32.00	---	3.20	5.90	8.10	34.50	26.20	52.40	56.00	B
E																		
	87759-3661	87759-3671	87759-3681	36	N	1	----	35.90	34.00	---	3.20	5.90	8.10	36.50	26.20	52.40	56.00	B
	87759-3662	87759-3672	87759-3682	36	N	2	----	35.90	34.00	---	3.20	5.90	8.10	36.50	26.20	52.40	56.00	B
	87759-3663	87759-3673	87759-3683	36	N	3	----	35.90	34.00	---	3.20	5.90	8.10	36.50	26.20	52.40	56.00	B
	87759-6361	87759-7361	87759-8361	36	Y	1	----	35.90	34.00	---	3.20	5.90	8.10	36.50	26.20	52.40	56.00	B
	87759-6362	87759-7362	87759-8362	36	Y	2	----	35.90	34.00	---	3.20	5.90	8.10	36.50	26.20	52.40	56.00	B
D	87759-6363	87759-7363	87759-8363	36	Y	3	----	35.90	34.00	---	3.20	5.90	8.10	36.50	26.20	52.40	56.00	B
	87759-0014	----	----	36	N	1	----	35.90	34.00	---	9.50	12.20	---	---	---	---	---	---
	87759-3861	87759-3871	87759-3881	38	N	1	----	37.90	36.00	---	3.20	5.90	8.10	38.50	26.20	52.40	56.00	B
	87759-3862	87759-3872	87759-3882	38	N	2	----	37.90	36.00	---	3.20	5.90	8.10	38.50	26.20	52.40	56.00	B
	87759-3863	87759-3873	87759-3883	38	N	3	----	37.90	36.00	---	3.20	5.90	8.10	38.50	26.20	52.40	56.00	B
C	87759-6381	87759-7381	87759-8381	38	Y	1	----	37.90	36.00	---	3.20	5.90	8.10	38.50	26.20	52.40	56.00	B
	87759-6382	87759-7382	87759-8382	38	Y	2	----	37.90	36.00	---	3.20	5.90	8.10	38.50	26.20	52.40	56.00	B
	87759-6383	87759-7383	87759-8383	38	Y	3	----	37.90	36.00	---	3.20	5.90	8.10	38.50	26.20	52.40	56.00	B

THIS DRAWING CONTAINS INFORMATION THAT IS PROPRIETARY TO MOLEX ELECTRONIC TECHNOLOGIES, LLC AND SHOULD NOT BE USED WITHOUT WRITTEN PERMISSION																	
DIMENSION UNITS		SCALE		CURRENT REV DESC:													
mm		NTS		<div style="text-align: center;">  <p>CUSTOM HEADER 2.00MM PITCH DUAL ROW HDR, SINGLE WAFER, SMT</p> <p>PRODUCT CUSTOMER DRAWING</p> </div>													
GENERAL TOLERANCES (UNLESS SPECIFIED)																	
		MM	INCH														
4 PLACES	±		±														
3 PLACES	±		±														
2 PLACES	±	0.2	±														
1 PLACE	±		±														
0 PLACES	±		±														
ANGULAR TOL ± 3.0°				EC NO: 691087		DRWN: DANUSA		2022/01/06		CHK'D: DANUSA		2022/01/06		APPR: MRAMAKRISHNA		2022/01/06	
DRAFT WHERE APPLICABLE MUST REMAIN WITHIN DIMENSIONS				THIRD ANGLE PROJECTION		DRAWING		SERIES		MATERIAL NUMBER		CUSTOMER		SHEET NUMBER			
						A3-SIZE		87759		SEE TABLE		GENERAL MARKET		10 OF 12			

10		9		8		7		6		5		4		3		2		1				
PART NUMBER WITHOUT CAP IN TUBE		PART NUMBER WITH CAP IN TUBE		PART NUMBER WITH CAP IN TAPE & REEL		PART NUMBER WITHOUT CAP IN TAPE & REEL		CKT SIZE	PEG	PLATING TYPE	VOID POSITION	A	B	C	M	(F)	(G)	Bo	F1	So	W	EMBOSSED TYPE
F	87759-4061	87759-4071	87759-4081	-----	40	N	1	----	39.90	38.00	---	3.20	5.90	8.10	40.50	26.20	52.40	56.00	B			
	87759-4062	87759-4072	87759-4082	-----	40	N	2	----	39.90	38.00	---	3.20	5.90	8.10	40.50	26.20	52.40	56.00	B			
	87759-4063	87759-4073	87759-4083	-----	40	N	3	----	39.90	38.00	---	3.20	5.90	8.10	40.50	26.20	52.40	56.00	B			
	87759-6401	87759-7401	87759-8401	-----	40	Y	1	----	39.90	38.00	---	3.20	5.90	8.10	40.50	26.20	52.40	56.00	B			
	87759-6402	87759-7402	87759-8402	-----	40	Y	2	----	39.90	38.00	---	3.20	5.90	8.10	40.50	26.20	52.40	56.00	B			
	87759-6403	87759-7403	87759-8403	-----	40	Y	3	----	39.90	38.00	---	3.20	5.90	8.10	40.50	26.20	52.40	56.00	B			
E	87759-0010	----	-----	-----	40	N	1	----	39.90	38.00	---	8.00	10.70	---	---	---	---	----	---			
	87759-0011	----	-----	-----	40	Y	1	----	39.90	38.00	36.00	8.00	10.70	----	---	---	---	---	---			
	-----	-----	-----	-----	40	N	4	----	39.90	38.00	----	8.40	11.10	12.47	40.50	26.20	52.40	56.00	B			
	87759-4014	----	-----	87759-0484	40	N	1	----	39.90	38.00	----	3.80	6.50	---	40.20	26.20	52.40	56.00	B			
	87759-4015	-----	-----	87759-4065	40	N	2	----	39.90	38.00	----	3.80	6.50	----	40.20	26.20	52.40	58.00	B			
D	87759-4261	87759-4271	87759-4281	-----	42	N	1	----	41.90	40.00	---	3.20	5.90	8.10	42.50	26.20	52.40	56.00	B			
	87759-4262	87759-4272	87759-4282	-----	42	N	2	----	41.90	40.00	---	3.20	5.90	8.10	42.50	26.20	52.40	56.00	B			
	87759-4263	87759-4273	87759-4283	-----	42	N	3	----	41.90	40.00	---	3.20	5.90	8.10	42.50	26.20	52.40	56.00	B			
	87759-6421	87759-7421	87759-8421	-----	42	Y	1	----	41.90	40.00	---	3.20	5.90	8.10	42.50	26.20	52.40	56.00	B			
	87759-6422	87759-7422	87759-8422	-----	42	Y	2	----	41.90	40.00	---	3.20	5.90	8.10	42.50	26.20	52.40	56.00	B			
	87759-6423	87759-7423	87759-8423	-----	42	Y	3	----	41.90	40.00	---	3.20	5.90	8.10	42.50	26.20	52.40	56.00	B			
C	87759-4461	87759-4471	87759-4481	-----	44	N	1	----	43.90	42.00	---	3.20	5.90	8.10	44.50	26.20	52.40	56.00	B			
	87759-4462	87759-4472	87759-4482	-----	44	N	2	----	43.90	42.00	---	3.20	5.90	8.10	44.50	26.20	52.40	56.00	B			
	87759-4463	87759-4473	87759-4483	-----	44	N	3	----	43.90	42.00	---	3.20	5.90	8.10	44.50	26.20	52.40	56.00	B			
	87759-6441	87759-7441	87759-8441	-----	44	Y	1	----	43.90	42.00	---	3.20	5.90	8.10	44.50	26.20	52.40	56.00	B			
	87759-6442	87759-7442	87759-8442	-----	44	Y	2	----	43.90	42.00	---	3.20	5.90	8.10	44.50	26.20	52.40	56.00	B			
	87759-6443	87759-7443	87759-8443	-----	44	Y	3	----	43.90	42.00	---	3.20	5.90	8.10	44.50	26.20	52.40	56.00	B			

B																																																																																																																																																																											
A																																																																																																																																																																											
<table border="1"> <tr> <td colspan="20">THIS DRAWING CONTAINS INFORMATION THAT IS PROPRIETARY TO MOLEX ELECTRONIC TECHNOLOGIES, LLC AND SHOULD NOT BE USED WITHOUT WRITTEN PERMISSION</td> </tr> <tr> <td colspan="2">DIMENSION UNITS</td> <td colspan="2">SCALE</td> <td colspan="16">CURRENT REV DESC:</td> </tr> <tr> <td colspan="2">mm</td> <td colspan="2">NTS</td> <td colspan="16" rowspan="5"> <div style="text-align: center;">molex</div> <p>CUSTOM HEADER 2.00MM PITCH DUAL ROW HDR, SINGLE WAFER, SMT</p> <p>PRODUCT CUSTOMER DRAWING</p> </td> </tr> <tr> <td colspan="4">GENERAL TOLERANCES (UNLESS SPECIFIED)</td> </tr> <tr> <td colspan="2"></td> <td>MM</td> <td>INCH</td> </tr> <tr> <td>4 PLACES</td> <td>±</td> <td></td> <td>±</td> </tr> <tr> <td>3 PLACES</td> <td>±</td> <td></td> <td>±</td> </tr> <tr> <td>2 PLACES</td> <td>±</td> <td>0.2</td> <td>±</td> </tr> <tr> <td>1 PLACE</td> <td>±</td> <td></td> <td>±</td> </tr> <tr> <td>0 PLACES</td> <td>±</td> <td></td> <td>±</td> </tr> <tr> <td colspan="4">ANGULAR TOL ± 3.0°</td> <td colspan="16"> EC NO: 691087 DRWN: DANUSA 2022/01/06 CHK'D: DANUSA 2022/01/06 APPR: MRAMAKRISHNA 2022/01/06 INITIAL REVISION: DRWN: SKLIM01 2006/03/23 APPR: PATEY 2006/03/29 </td> </tr> <tr> <td colspan="4">DRAFT WHERE APPLICABLE MUST REMAIN WITHIN DIMENSIONS</td> <td colspan="2">THIRD ANGLE PROJECTION</td> <td colspan="2">DRAWING</td> <td colspan="2">SERIES</td> <td colspan="2">MATERIAL NUMBER</td> <td colspan="2">CUSTOMER</td> <td colspan="2">DOCUMENT NUMBER</td> <td colspan="2">DOC TYPE</td> <td colspan="2">DOC PART</td> <td colspan="2">REVISION</td> </tr> <tr> <td colspan="4"></td> <td colspan="2"> </td> <td colspan="2">A3-SIZE</td> <td colspan="2">87759</td> <td colspan="2">SEE TABLE</td> <td colspan="2">GENERAL MARKET</td> <td colspan="2">SD-87759-277</td> <td colspan="2">PSD</td> <td colspan="2">001</td> <td colspan="2">B5</td> </tr> </table>																				THIS DRAWING CONTAINS INFORMATION THAT IS PROPRIETARY TO MOLEX ELECTRONIC TECHNOLOGIES, LLC AND SHOULD NOT BE USED WITHOUT WRITTEN PERMISSION																				DIMENSION UNITS		SCALE		CURRENT REV DESC:																mm		NTS		<div style="text-align: center;">molex</div> <p>CUSTOM HEADER 2.00MM PITCH DUAL ROW HDR, SINGLE WAFER, SMT</p> <p>PRODUCT CUSTOMER DRAWING</p>																GENERAL TOLERANCES (UNLESS SPECIFIED)						MM	INCH	4 PLACES	±		±	3 PLACES	±		±	2 PLACES	±	0.2	±	1 PLACE	±		±	0 PLACES	±		±	ANGULAR TOL ± 3.0°				EC NO: 691087 DRWN: DANUSA 2022/01/06 CHK'D: DANUSA 2022/01/06 APPR: MRAMAKRISHNA 2022/01/06 INITIAL REVISION: DRWN: SKLIM01 2006/03/23 APPR: PATEY 2006/03/29																DRAFT WHERE APPLICABLE MUST REMAIN WITHIN DIMENSIONS				THIRD ANGLE PROJECTION		DRAWING		SERIES		MATERIAL NUMBER		CUSTOMER		DOCUMENT NUMBER		DOC TYPE		DOC PART		REVISION								A3-SIZE		87759		SEE TABLE		GENERAL MARKET		SD-87759-277		PSD		001		B5	
THIS DRAWING CONTAINS INFORMATION THAT IS PROPRIETARY TO MOLEX ELECTRONIC TECHNOLOGIES, LLC AND SHOULD NOT BE USED WITHOUT WRITTEN PERMISSION																																																																																																																																																																											
DIMENSION UNITS		SCALE		CURRENT REV DESC:																																																																																																																																																																							
mm		NTS		<div style="text-align: center;">molex</div> <p>CUSTOM HEADER 2.00MM PITCH DUAL ROW HDR, SINGLE WAFER, SMT</p> <p>PRODUCT CUSTOMER DRAWING</p>																																																																																																																																																																							
GENERAL TOLERANCES (UNLESS SPECIFIED)																																																																																																																																																																											
		MM	INCH																																																																																																																																																																								
4 PLACES	±		±																																																																																																																																																																								
3 PLACES	±		±																																																																																																																																																																								
2 PLACES	±	0.2	±																																																																																																																																																																								
1 PLACE	±		±																																																																																																																																																																								
0 PLACES	±		±																																																																																																																																																																								
ANGULAR TOL ± 3.0°				EC NO: 691087 DRWN: DANUSA 2022/01/06 CHK'D: DANUSA 2022/01/06 APPR: MRAMAKRISHNA 2022/01/06 INITIAL REVISION: DRWN: SKLIM01 2006/03/23 APPR: PATEY 2006/03/29																																																																																																																																																																							
DRAFT WHERE APPLICABLE MUST REMAIN WITHIN DIMENSIONS				THIRD ANGLE PROJECTION		DRAWING		SERIES		MATERIAL NUMBER		CUSTOMER		DOCUMENT NUMBER		DOC TYPE		DOC PART		REVISION																																																																																																																																																							
						A3-SIZE		87759		SEE TABLE		GENERAL MARKET		SD-87759-277		PSD		001		B5																																																																																																																																																							
DOCUMENT STATUS		P1	RELEASE DATE		2022/01/06	11:54:31																																																																																																																																																																					
9		8		7		6		5		4		3		2		1																																																																																																																																																											

10	9	8	7	6	5	4	3	2	1									
PART NUMBER WITHOUT CAP IN TUBE	PART NUMBER WITH CAP IN TUBE	PART NUMBER WITH CAP IN TAPE & REEL	CKT SIZE	PEG	PLATING TYPE	VOID POSITION	A	B	C	M	(F)	(G)	Bo	F1	So	W	EMBOSSSED TYPE	
F	87759-4661	87759-4671	87759-4681	46	N	1	----	45.90	44.00	---	3.20	5.90	8.10	46.50	34.20	68.40	72.00	B
	87759-4662	87759-4672	87759-4682	46	N	2	----	45.90	44.00	---	3.20	5.90	8.10	46.50	34.20	68.40	72.00	B
	87759-4663	87759-4673	87759-4683	46	N	3	----	45.90	44.00	---	3.20	5.90	8.10	46.50	34.20	68.40	72.00	B
	87759-6461	87759-7461	87759-8461	46	Y	1	----	45.90	44.00	---	3.20	5.90	8.10	46.50	34.20	68.40	72.00	B
	87759-6462	87759-7462	87759-8462	46	Y	2	----	45.90	44.00	---	3.20	5.90	8.10	46.50	34.20	68.40	72.00	B
E	87759-6463	87759-7463	87759-8463	46	Y	3	----	45.90	44.00	---	3.20	5.90	8.10	46.50	34.20	68.40	72.00	B
	87759-4861	87759-4871	87759-4881	48	N	1	----	47.90	46.00	---	3.20	5.90	8.10	48.50	34.20	68.40	72.00	B
	87759-4862	87759-4872	87759-4882	48	N	2	----	47.90	46.00	---	3.20	5.90	8.10	48.50	34.20	68.40	72.00	B
	87759-4863	87759-4873	87759-4883	48	N	3	----	47.90	46.00	---	3.20	5.90	8.10	48.50	34.20	68.40	72.00	B
	87759-6481	87759-7481	87759-8481	48	Y	1	----	47.90	46.00	---	3.20	5.90	8.10	48.50	34.20	68.40	72.00	B
D	87759-6482	87759-7482	87759-8482	48	Y	2	----	47.90	46.00	---	3.20	5.90	8.10	48.50	34.20	68.40	72.00	B
	87759-6483	87759-7483	87759-8483	48	Y	3	----	47.90	46.00	---	3.20	5.90	8.10	48.50	34.20	68.40	72.00	B
	87759-5061	87759-5071	87759-5081	50	N	1	----	49.90	48.00	---	3.20	5.90	8.10	50.50	34.20	68.40	72.00	B
	87759-5062	87759-5072	87759-5082	50	N	2	----	49.90	48.00	---	3.20	5.90	8.10	50.50	34.20	68.40	72.00	B
	87759-5063	87759-5073	87759-5083	50	N	3	----	49.90	48.00	---	3.20	5.90	8.10	50.50	34.20	68.40	72.00	B
C	87759-6501	87759-7501	87759-8501	50	Y	1	----	49.90	48.00	---	3.20	5.90	8.10	50.50	34.20	68.40	72.00	B
	87759-6502	87759-7502	87759-8502	50	Y	2	----	49.90	48.00	---	3.20	5.90	8.10	50.50	34.20	68.40	72.00	B
	87759-6503	87759-7503	87759-8503	50	Y	3	----	49.90	48.00	---	3.20	5.90	8.10	50.50	34.20	68.40	72.00	B

<p>THIS DRAWING CONTAINS INFORMATION THAT IS PROPRIETARY TO MOLEX ELECTRONIC TECHNOLOGIES, LLC AND SHOULD NOT BE USED WITHOUT WRITTEN PERMISSION</p>										DIMENSION UNITS mm		SCALE NTS		CURRENT REV DESC:									
										GENERAL TOLERANCES (UNLESS SPECIFIED)													
												MM		INCH		EC NO: 691087 DRWN: DANUSA 2022/01/06 CHK'D: DANUSA 2022/01/06 APPR: MRAMAKRISHNA 2022/01/06				PRODUCT CUSTOMER DRAWING			
										4 PLACES		±		±									
										3 PLACES		±		±									
2 PLACES		± 0.2		±																			
1 PLACE		±		±		INITIAL REVISION: DRWN: SKLIM01 2006/03/23 APPR: PATEY 2006/03/29				DOCUMENT NUMBER SD-87759-277		DOC TYPE PSD	DOC PART 001	REVISION B5									
0 PLACES		±		±						DRAFT WHERE APPLICABLE MUST REMAIN WITHIN DIMENSIONS		THIRD ANGLE PROJECTION 		DRAWING A3-SIZE	SERIES 87759	MATERIAL NUMBER SEE TABLE	CUSTOMER GENERAL MARKET	SHEET NUMBER 12 OF 12					

DOCUMENT STATUS	P1	RELEASE DATE	2022/01/06	11:54:31
-----------------	----	--------------	------------	----------