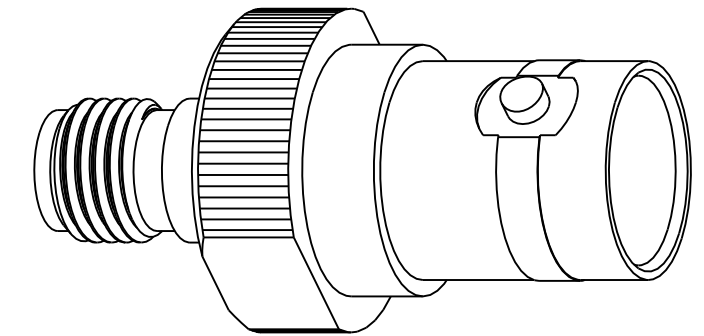


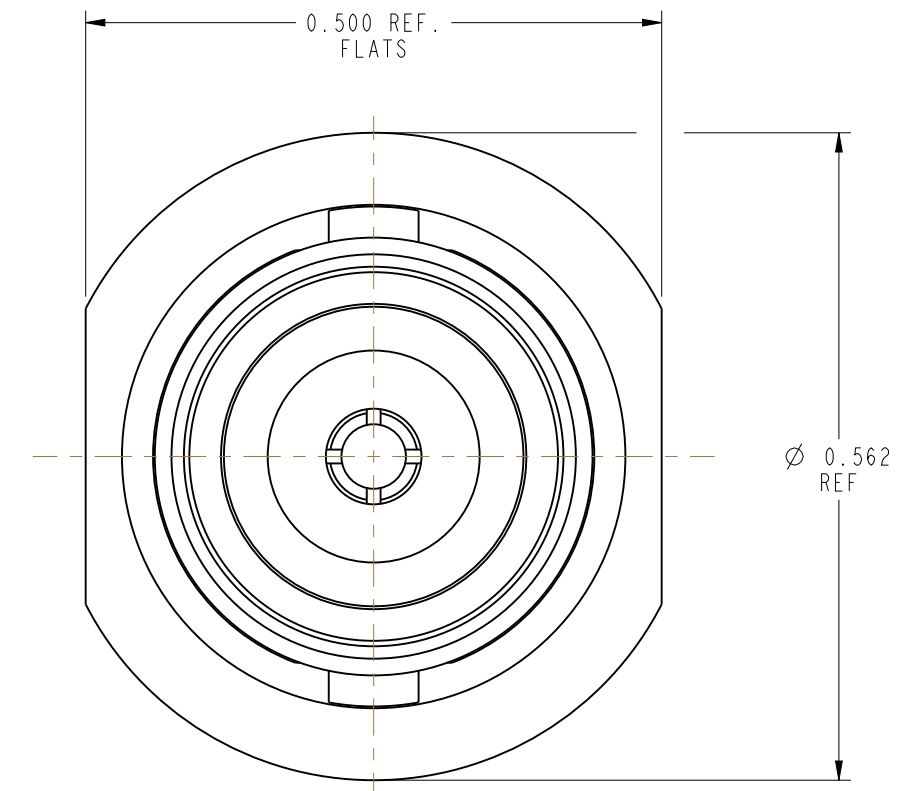
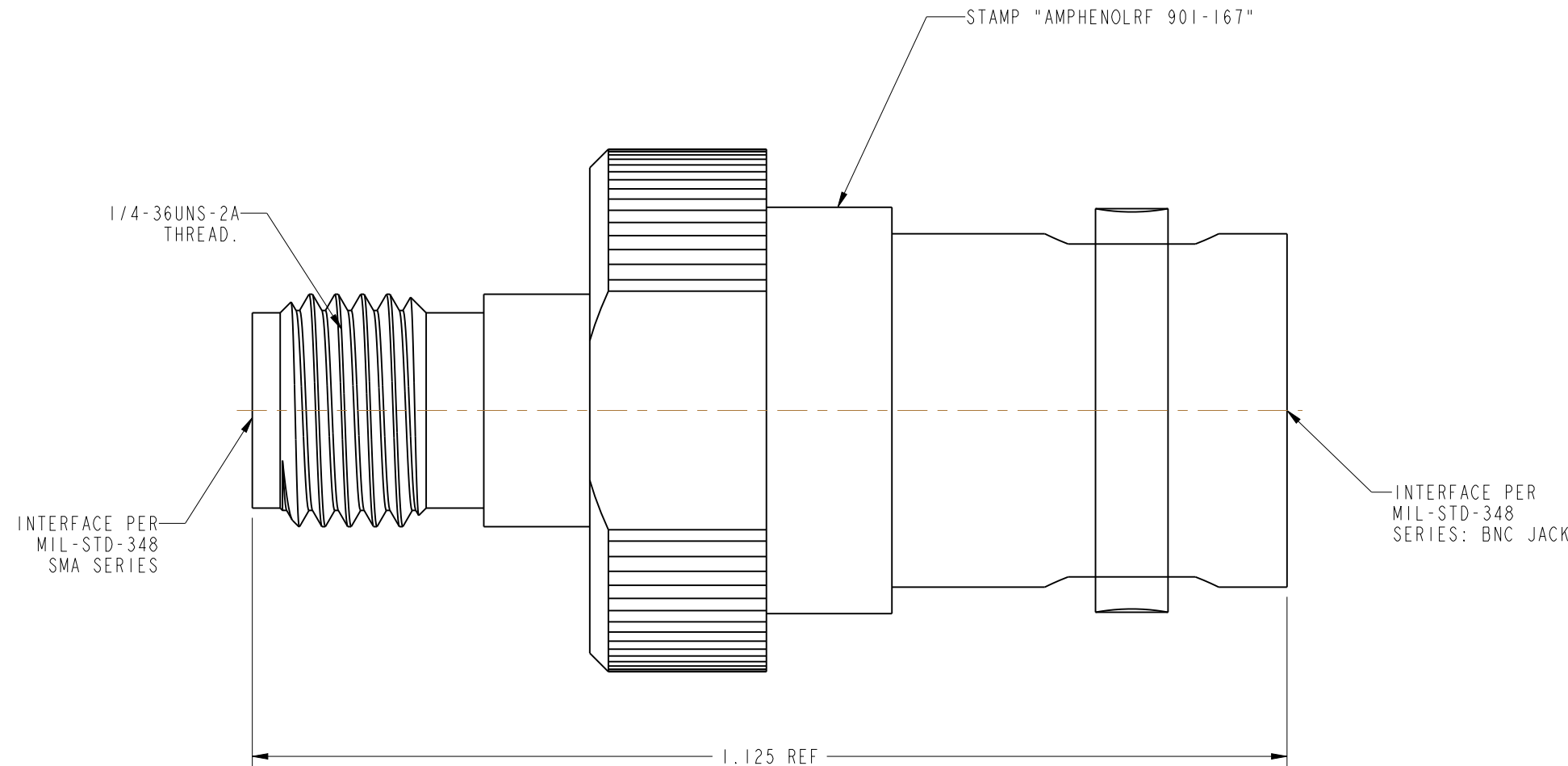
NOTES:

1. MATERIALS AND FINISHES:
 BODY - BRASS, NICKEL PLATING.
 CONTACT - BERYLLIUM COPPER, GOLD PLATING.
 INSULATOR - PTFE
2. ELECTRICAL:
 A. IMPEDANCE: 50 OHM
3. MECHANICAL:
 A. DURABILITY: 500 CYCLES MIN.
4. PACKAGING:
 A. QUANTITY: SINGLE PACK
 B. MARKING: BAG TO BE MARKED
 "AMPHENOLRF, 901-167, AND DATE CODE"

901-167		REVISIONS			
DRAWING NO.	REV	DESCRIPTION	DATE	ECO	APPR
THIRD ANGLE PROJ.	--	RELEASE TO MFG	-----	-----	-----
	E	REDRAWN IN PRO-E	5/24/11	47687	BM



SCALE 3.000



CUSTOMER OUTLINE DRAWING
 ALL OTHER SHEETS ARE FOR INTERNAL USE ONLY

UNLESS OTHERWISE SPECIFIED, DIMENSIONS ARE IN INCHES AND TOLERANCES ARE:
 2 PLACE DECIMAL ±.015 (0,381 mm)
 3 PLACE DECIMAL ±.005 (0,127 mm)
 ANGLES ± 1°

NOTICE - These drawings, specifications, or other data (1) are, and remain the property of Amphenol Corp. (2) must be returned upon request; and (3) are confidential and not to be disclosed to any person other than those to whom they are given by Amphenol Corp. The furnishing of these drawings, specifications, or other data by Amphenol Corp., or to any other person to anyone for any purpose is not to be regarded by implication or otherwise in any manner licensing, granting rights or permitting such holder or any other person to manufacture, use or sell any product, process or design, patented or otherwise, that may in any way be related to or disclosed by said drawings, specifications, or other data.

MATERIAL
 SEE NOTES

REFERENCE

DRAWN
 BALAJI M
 DATE
 03-Aug-09

ENGINEER
 H. PARIKH
 DATE
 5/24/11

APPROVED
 H. PARIKH
 DATE
 5/24/11

CAD FILE

TITLE
 SMA JACK TO
 BNC JACK ADAPTER

Amphenol RF
 Danbury, CT, USA
 Tainan, Taiwan
 Shenzhen, China
 www.amphenolrf.com

SCALE: 6.0:1 SHEET 2 OF 2

CODE ID 74868	DWG SIZE B	DRAWING NO. 901-167	REV E
------------------	---------------	------------------------	----------