

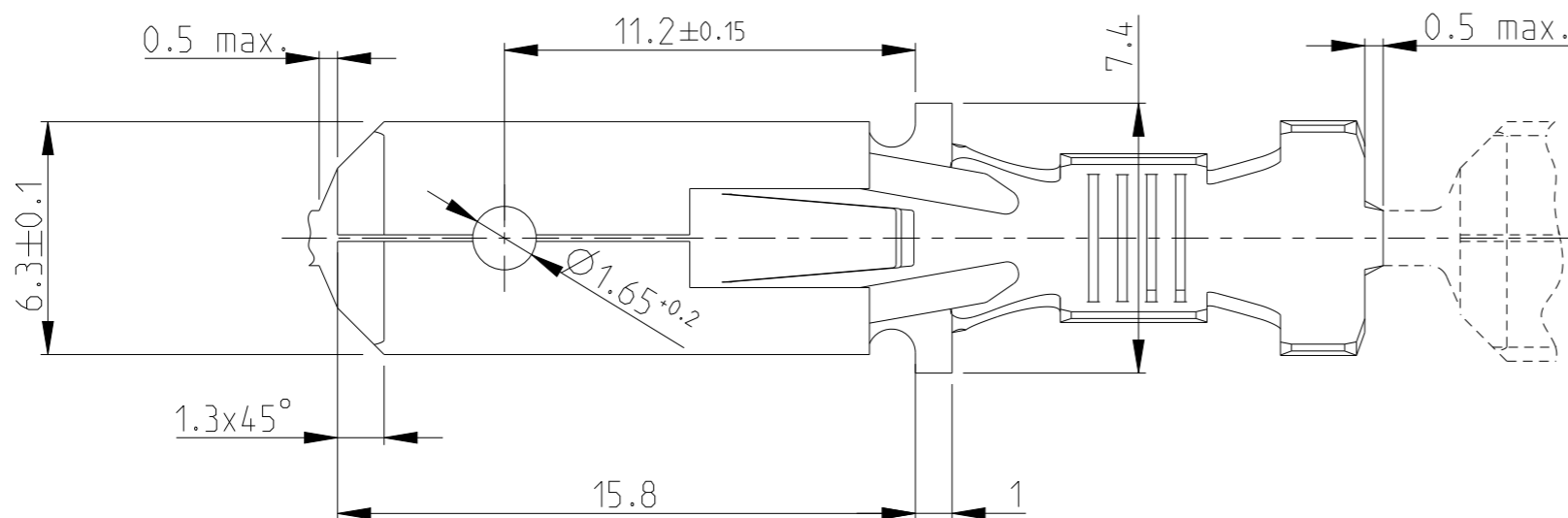
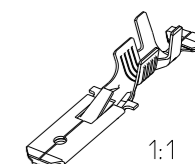
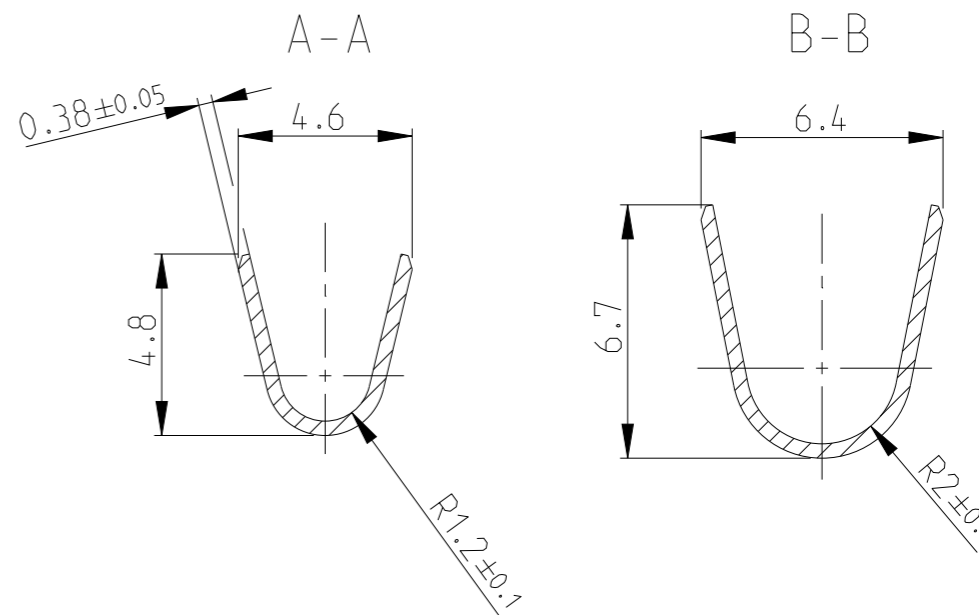
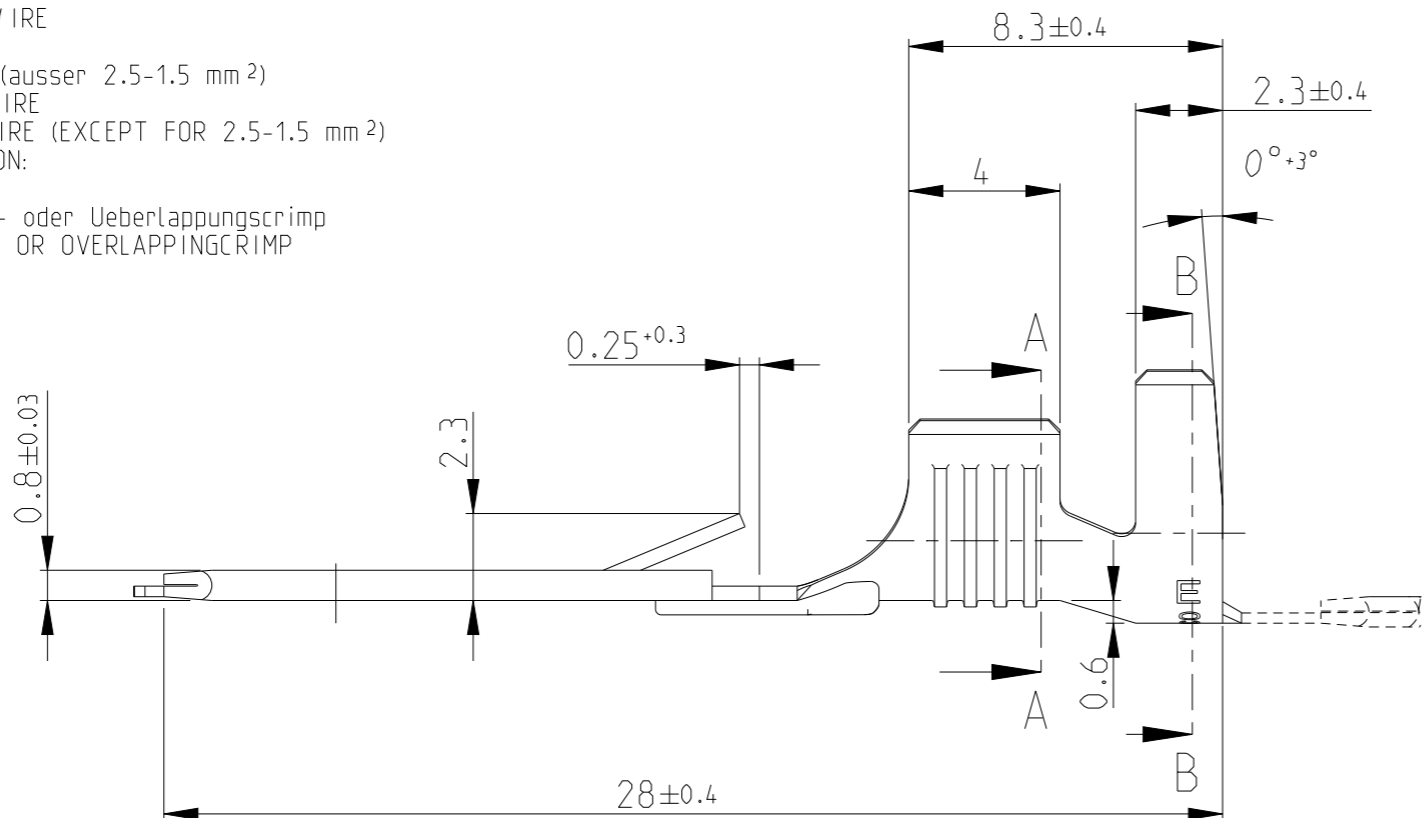
LOC
A1

DIST
-

REVISIONS

P	LTR	DESCRIPTION	DATE	DWN	APVD
E1		NEW CAD DRAWING CREATED	30NOV2006	Abr	Goep
E2		ECR-10-026307	16JUN2011	KK	HMR
E3		ECR-21-107975	22JUL2021	FDP	TD

Leitung / WIRE
 Einzelanschlag: FLK-Litze
 SINGLE CONNECTION: FLK-WIRE
 Doppelanschlag: FLR-Litze
 FLK Litze (ausser 2.5-1.5 mm²)
 DOUBLE CONNCTION: FLR WIRE
 FLK WIRE (EXCEPT FOR 2.5-1.5 mm²)
 Verarbeitung / APPLICATION:
 Leiter / WIRE: F-Crimp
 Isolation / INSULATION: F- oder Ueberlappungscrimp
 F- OR OVERLAPPINGCRIMP



Leitungsquerschnitt in mm ² CROSS SECTION IN mm ²		0.50	0.75	1.00	1.50	2.00	2.50	3.00	4.00	6.00
Einzel- anschlag SINGLE CONNECTION										
0.50										
1.00						X	X			
1.50				X	X					
2.50			X	X						
4.00	X									

Drahtgroessenbereich: >2.5-4.0 mm²
 WIRE RANGE: >2.5-4.0 mm²

IsolationØ: 3.3-4.5 mm
 INSULATIONØ: 3.3-4.5 mm

THIS DRAWING IS A CONTROLLED DOCUMENT.

DIMENSIONS: mm	TOLERANCES UNLESS OTHERWISE SPECIFIED: ±0.2
	0 PLC ±0.2
	1 PLC ±0.2
	2 PLC ±0.2
	3 PLC ±0.2
	4 PLC ±0.2
ANGLES	±1°
FINISH	-

MATERIAL -

DWN	H.Mayer	04.03.87
CHK	Herth	04.03.87
APVD	-	-
PRODUCT SPEC	-	-
APPLICATION SPEC	-	-
WEIGHT	0.9 g	A3



6.3 Fastin -on Flachstecker
 6.3 FASTIN -ON TAB
 nach / ACCORDING DIN 46343

LP NO.	FINISH	MATERIAL	PART NO.	REV.
CUSTOMER DRAWING		SCALE	SHEET	REV
		5:1	1 OF 1	E3

OBSOLETE	928950-7	vorverzinnt / PRE TIN	CuZn30	-928949-7	E
	928950-4	TIN (112-16-3) 2-10 µm	CuSn4	928949-4	E
	928950-3	blank / PLAIN	CuSn4	928949-3	E
	928950-2	verzinnt / TIN	CuZn30	928949-2	E
	928950-1	blank / PLAIN	CuZn30	928949-1	E