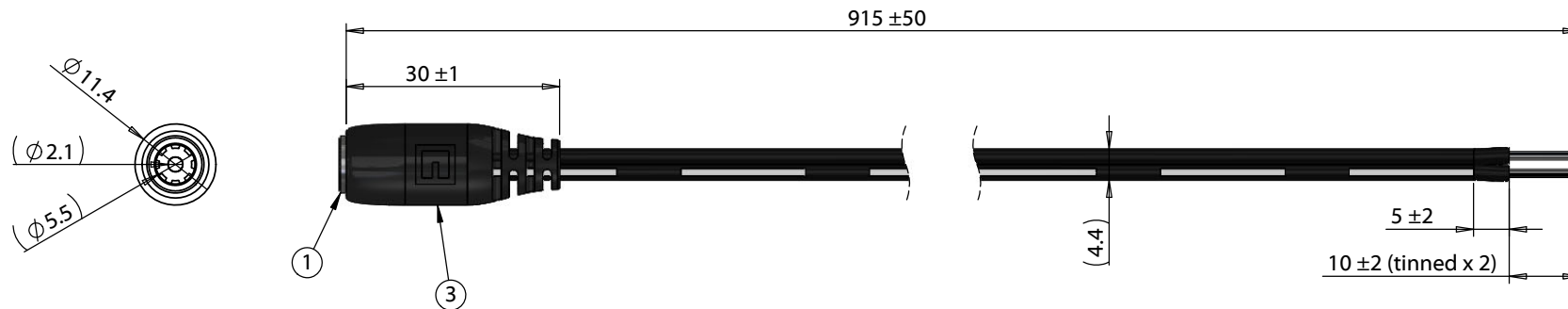


ITEM NO.	PART NUMBER	DESCRIPTION	QTY.	NOTES
1	50-00025	Connector, dc jack, 5.5x2.1xL17.4 mm, molding style	1	
2	30-00007	Wire, 2C BC, 18 AWG, UL2468, 300V, 80C, 4.4 mm, VW-1, PVC	1	
3	24-00004	Overmold	1	PVC, black



Notes:
Cable rated for 7 A, 48 Vdc

Functionally equivalent components may be substituted

Wiring Diagram	
50-00025	Wire Color
Center	Black with stripe
Sleeve	Black

Revision:	Date:	Description:	Prepared:	Notes:	<h1>TENSILITY</h1> <p>tel 1.541.323.3228 800 877.670.7118 fax 1.541.323.4202 web tensility.com</p>				
A	6/27/2012	Initial release	AG <small>Digitally signed by AG Date: 2021.03.24 08:25:47 -07'00'</small>	RoHS compliant					
			Verified:	Function test: no open, no short circuit, no intermittent	<table border="1"> <tr> <td>Size:</td> <td>Part number:</td> </tr> <tr> <td>A</td> <td>10-01096</td> </tr> </table>	Size:	Part number:	A	10-01096
Size:	Part number:								
A	10-01096								
			Dimensions are in millimeters. Tolerances: X: ± 0.5 mm X.X: ± 0.3 mm X.XX: ± 0.05 mm	Description: Cable, 915 mm, 5.5x2.1 mm 50-00025 dc jack to stripped tinned, 18 AWG, 30-00007 wire	Scale: 1:2				

5

4

3

2

1