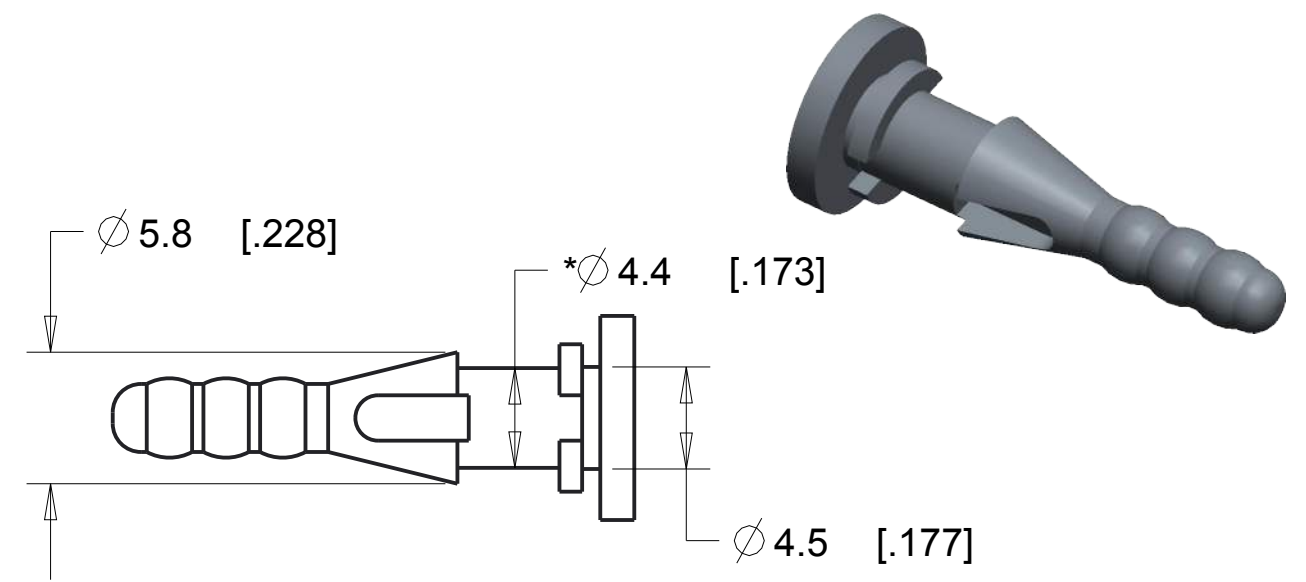
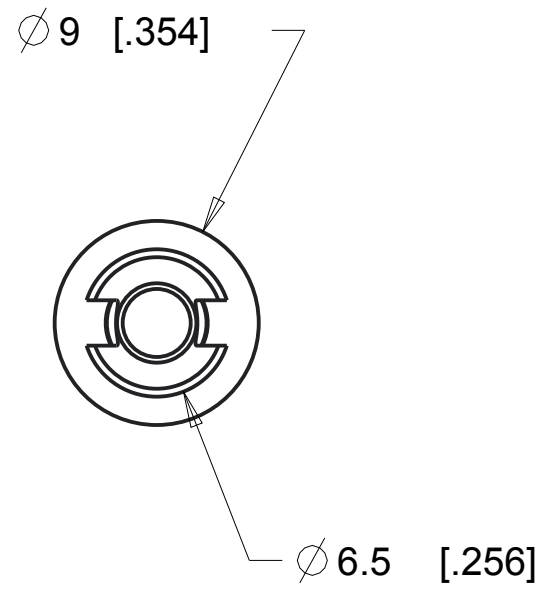
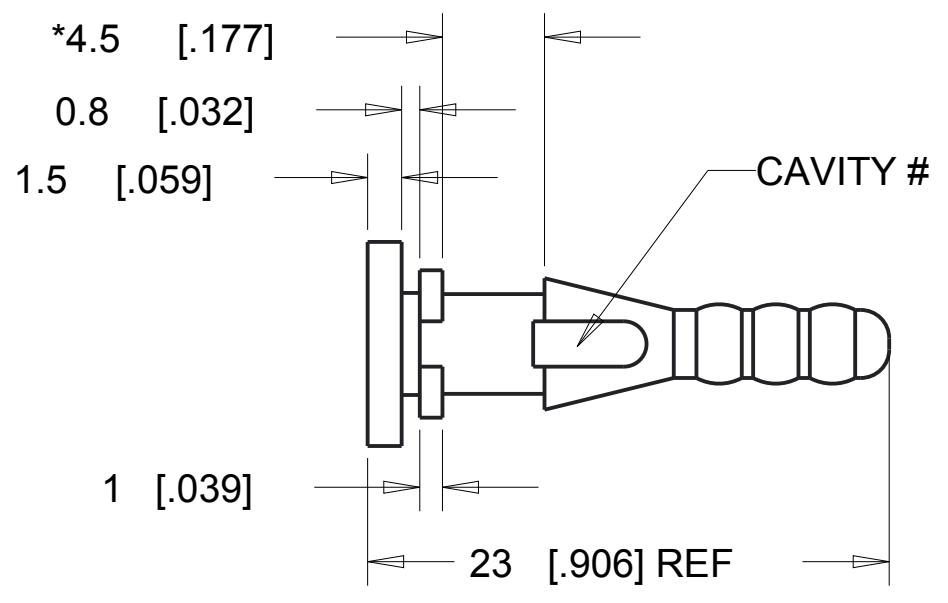




REVISIONS				
DRAWN	REV	DESCRIPTION	DATE	APPROVED
PAM	00	ORIGINAL	8-4-09	JS
KP/TC	01	UPDATED FORMAT, NOTES, ADDED CAVITY LOCATION, ADDED 6.5 DIM.	9-8-11	MS
TC	02	ADDED SL MATERIALS	3-30-15	MS



F-347-SL60300	SL-60300
F-347-SL50300	SL-50300
F-347-SL35300	SL-35300
F-347-SL20300	SL-20300
F-347-C8012	C-8012
F-347-C8002	C-8002
F-347-C8001	C-8001
F-347-3	C-1100
F-347-2	C-1105
F-347-1	C-1002
PART NUMBER	MATERIAL

SL-XX300 TOLERANCE TABLE	
RANGE	TOL
0<DIM<=10[.394]	± 0.15[.006]
10[.394]<DIM<=20[.787]	± 0.2 [.008]
20[.787]<DIM<=50[1.969]	± 0.25 [.010]
50[1.969]<DIM<=80[3.150]	± 0.35 [.014]
80[3.150]<DIM	± .5%

C-XXXX TOLERANCE TABLE	
RANGE	TOL
0<DIM<=2 [0.078]	± 0.15 [.006]
2 [0.078]<DIM<=25 [0.98]	± 0.25 [.010]
25 [0.98]<DIM<=50 [1.969]	± 0.4 [.016]
50 [1.969]<DIM	± 0.6 [.024]

- 3. MAX DRAFT: 2°.
- 2. CRITICAL DIMENSIONS SHALL HAVE Cpk VALUE >= 1.33 WITH ONGOING SPC DATA REQUIRED.
- 1. CRITICAL DIMENSIONS ARE MARKED WITH "*".

NOTES:

UNLESS OTHERWISE SPECIFIED UNITS ARE: MM [IN] TOLERANCE FOR ANGLES: ±1.0°	MATERIAL: SEE TABLE ON LEFT	AEARO TECHNOLOGIES LLC * a 3M company		
	ALLOWABLE FLASH: .30MM [.012]	QUALITY CONTROL: MUST COMPLY WITH E-A-R SPECIALTY COMPOSITES SUPPLIER QUALITY MANUAL REQUIREMENTS	TITLE FAN MOUNT	
GATE: ±.25MM [.010]	NOTES: ANY FEATURE NOT DIMENSIONED IN PRINT MUST BE VISIBLY PRESENT, UTILIZE 3D CAD FOR CREATION	SIZE B	DRAWING NO. F-347-X	PAGE NO. 1 OF 1
0.44 GRAM REF				