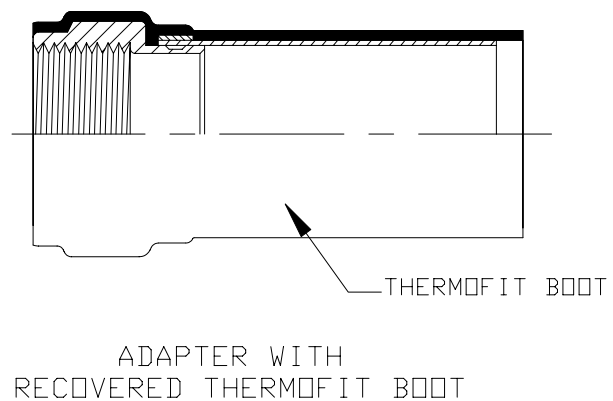
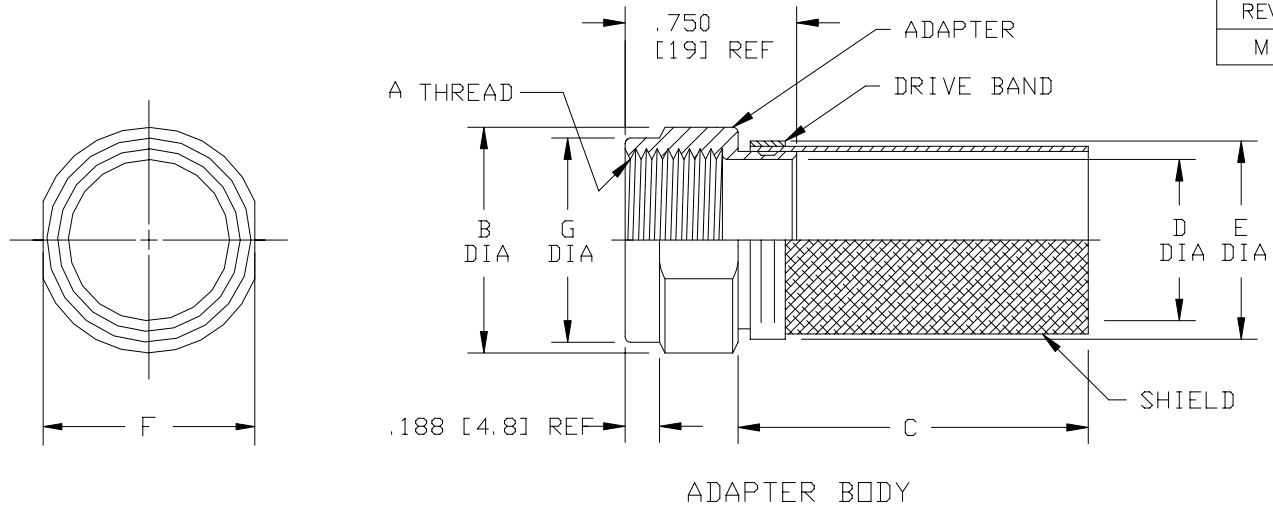


| REVISION | | |
|----------|-----------------------------|-----------|
| REV | DESCRIPTION | DATE |
| M | REVISED PER DCR NO. R030232 | 14MAY2003 |



| PART NO. | SHELL SIZE | | A THREAD, R.H. CLASS 2B | B DIA ±.015 [.381] | C MIN | D DIA ±.020 [.51] | E DIA REF. | F ±.015 [.38] | RAYCHEM BOOT PART NUMBER | G DIA +.000 [0] -.009 [.23] |
|------------|------------|-----|-------------------------------|-----------------------------|----------------|----------------------------|------------------|---------------------|-----------------------------|--------------------------------------|
| | COM'L | MIL | | | | | | | | |
| LSS 81-10A | 10 | B | .625 - 28 UN | .750 [19] | 5.000 [127] | .500 [12.7] | .700 [17.8] | .703 [17.6] | 202D221-4-26 | .684 [17] |
| LSS 81-14A | 14 | D | .875 - 28 UN | 1.000 [25] | 3.000 [76] | .750 [12.7] | .975 [25] | .953 [24] | 202D232-4-26 | .934 [24] |
| LSS 81-16A | 16 | E | 1.000 - 28 UN | 1.125 [26] | 4.500 [114] | .875 [22] | 1.100 [28] | 1.077 [27] | 202D242-4-26 | 1.060 [28] |

NOTES:

- ASSEMBLY IDENTIFICATION PER MIL-STD-130b.
- MATERIAL:
ADAPTER: QQ-A-225/3, T3 OR QQ-A-225/6, T4.
DRIVE BAND: QQ-A-225/8, T0.
SHIELD: TINNED COPPER 36 GAUGE PER A-A-59569 (QQ-B-575).
- FINISH:
ADAPTER: ELECTRO-TIN PER MIL-T-10727, TYPE I, .0003 INCH MINIMUM THICKNESS.
DRIVE BAND: CHEMFILM PER MIL-C-5541.
- ELECTROFORMED SHIELD ADAPTER/DRIVE BAND JOINT SHALL BE CAPABLE OF WITHSTANDING 200 POUND TENSILE PULL.
- THREADED ADAPTER SHALL CONTAIN THE LSS PART NUMBER.

If this document is printed it becomes uncontrolled.
Check for the latest revision.

SPECIFICATION CONTROL DRAWING

| | | | | |
|---------------------------|---------------------|--|---|---|
| DRAWN U. NGUYEN | DATE 14MAY2003 | tyco Electronics | Tyco Electronics Corporation 300 Constitution Drive Menlo Park, CA, USA 94025 | Product Brand: Raychem |
| RPN | CAD FILE R030232 | TITLE EMF SHIELD ADAPTER WITH THERMOFIT BOOT FOR MIL-C-81511, SERIES 3&4 CONNECTORS | | |
| THIRD ANGLE PROJECTION | | SIZE A | CODE IDENT. NO. 06090 | DWG. NO. LSS 81-10A THRU LSS-81-16A |
| DO NOT SCALE THIS DRAWING | | | SHEET 1 OF 1 | |

UNLESS OTHERWISE SPECIFIED
DIMENSIONS ARE INCHES.
METRIC DIMENSIONS ARE IN
BRACKETS
DECIMAL TOLERANCES
.XXX ± .005 [0.13 mm]
.XX ± .01 [0.25 mm]
.X ± .1 [2.54 mm]
ANGLE TOLERANCE
.X ± 0.5 DEG.

THIS DRAWING AND THE INFORMATION SET FORTH HEREON ARE THE PROPERTY OF TYCO ELECTRONICS CORPORATION AND ARE TO BE HELD IN TRUST AND CONFIDENCE. PUBLICATION, DUPLICATION, DISCLOSURE OR USE FOR ANY PURPOSE NOT EXPRESSLY AUTHORIZED IN WRITING BY TYCO ELECTRONICS CORPORATION IS PROHIBITED.